



TELECOMMUNICATION DRY BRIDGING TRANSFORMER DESIGNED TO OPERATE AT A MAX LEVEL OF +7dBm AND TO REFLECT A PRIMARY SOURCE IMPEDANCE OF APPROXIMATELY 4KΩ WITH 600Ω LOAD ON SECONDARY

MODEL NUMBER
TTC-13

REV. Status

- REVISION - 01/09/92 HA
- REVISION A REFORMATTED. TEMECULA WAS CARSON. ADDED SAFETY 01/11/96 TS
- REVISION B ADDED RoHS UL1459 WAS UL1863 01/20/06 YS
- REVISION C DIM 20.3(0.799) WAS 19.8(0.781) 10/17/06 YS

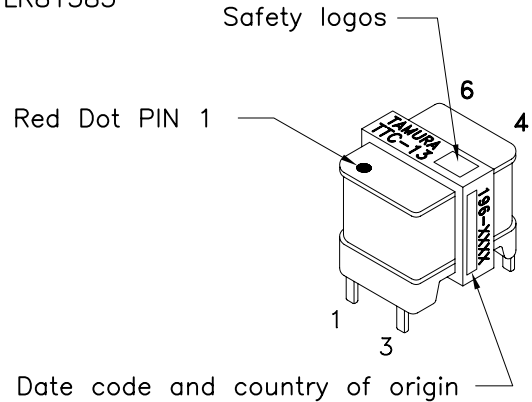
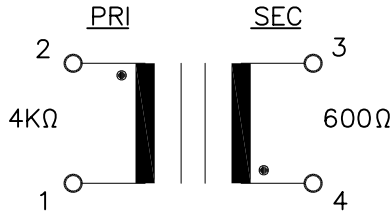


- A. Electrical Specifications (@ 25 ° C)
1. Pri Source Impedance; 4K Ω
 2. Sec Load Impedance; 600 Ω
 3. Operating Level; -45 dBm to +7 dBm
 4. Insertion Loss; 1.2 dB MAX @ 1 KHz, 0 dBm
 5. Frequency Response; ±0.5 dB 300 Hz to 3.5 KHz @ 0 dBm
 6. Primary Impedance; 4K Ω ±10% @ 300 Hz to 3.5 KHz, 0 dBm
 7. Total Harmonic Distortion; 0.5% MAX @ 300 Hz to 3.5 KHz, 0 dBm
 8. Longitudinal Balance; 60 dB MIN @ 200 Hz to 4 KHz
 9. DC Resistance; (1-3) = 225 Ω ±20% (4-6) = 45 Ω ±20%
 10. Turns Ratio; (1-3) : (4-6) = 1 : 0.397 ±2%
 11. Dielectric Strength; 1500 Vrms 1 minute @ Pri to Sec, Pri to Core
1000 Vrms 1 minute @ Sec to Core

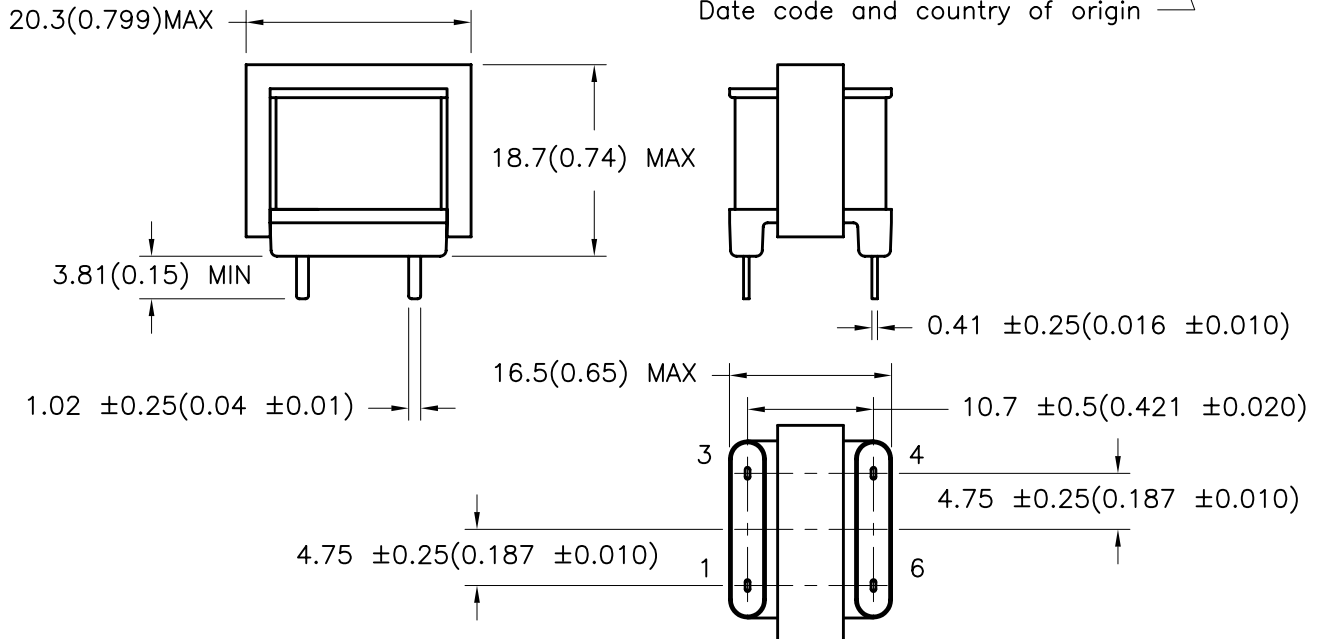


- B. Marking; TTC-13, TAMURA, date code, country of origin and safety logos
- C. Safety; CSA-22.2 No. 66-M1988 File No. LR81383
UL1459 File No. E142035

D. Schematic Diagram



E. Mechanical Specifications



TOLERANCES (mm)	
≤ 4	± 0.2
4 ≤ 20	± 0.3
20 ≤ 50	± 0.4

PREPARED BY:
K. BRENNAN

ENGINEER:
Y. SEKIGUCHI

QUALITY CONTROL:
T. CLEM

APPROVED:
Y. SEKIGUCHI

DWG CONTROL NO. P-A1-10524
ACAD\TTC\A1105241.DWG

REV C
BRIDGING TRANSFORMER

CONTENTS OF THIS DRAWING ARE SUBJECT TO CHANGE WITHOUT PRIOR NOTICE
TAMURA CORPORATION OF AMERICA
43352 BUSINESS PARK DRIVE, TEMECULA, CA. 92590-6624
(951) 699-1270 FAX 9516769482

TTC-13
MODEL SPECIFICATION
DIM: mm(In) SCL: 1/1 SH: 1 OF 1

PROPRIETARY NOTICE: THIS DRAWING PRINT OR DOCUMENT AND SUBJECT MATTER DISCLOSED HEREIN ARE PROPRIETARY ITEMS TO WHICH TAMURA RETAINS THE EXCLUSIVE RIGHT OF DISSEMINATION, REPRODUCTION, MANUFACTURE AND SALE. THIS DRAWING, PRINT OR DOCUMENT IS SUBMITTED IN CONFIDENCE FOR CONSIDERATION BY THE RECIPIENT ALONE UNLESS PERMISSION FOR FURTHER DISCLOSURE IS EXPRESSLY GRANTED IN WRITING.