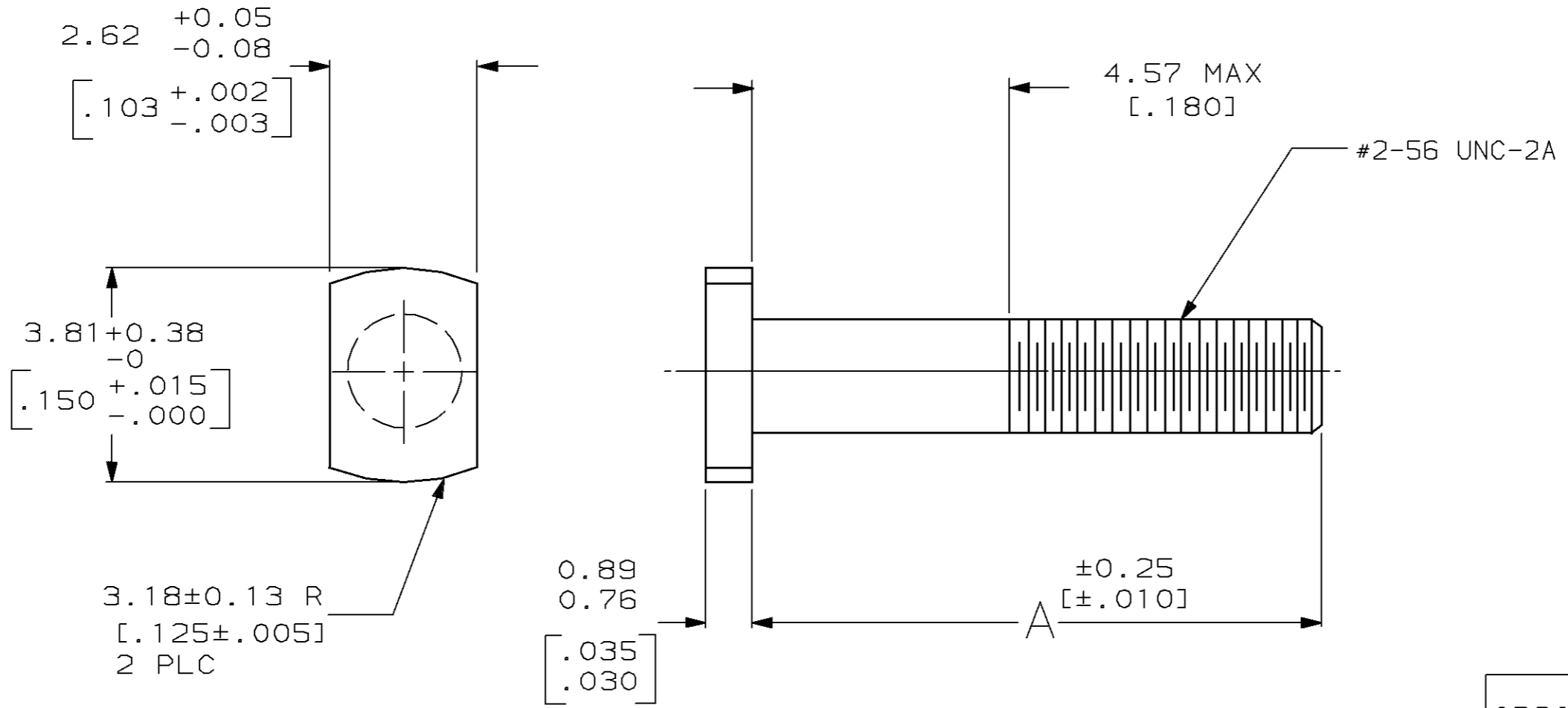


THIS DRAWING IS UNPUBLISHED.
 © COPYRIGHT 19 AMP INCORPORATED. ALL INTERNATIONAL RIGHTS RESERVED.

LOC	DIST	P	F	ZONE	LTR	DESCRIPTION	DATE	APPD
AR	39				D	REV & REDRAWN PER EC 0020-361-93	08/09/93	-
					E	OBS -2 PER EC 0020-0941-93	03/17/94	RK



OBSOLETE	16.51 [.650]	746383-2
	10.16 [.400]	746383-1
	A	PART NO

THIS DRAWING IS A CONTROLLED DOCUMENT FOR AMP INCORPORATED. IT IS SUBJECT TO CHANGE AND THE CONTROLLING ENGINEERING ORGANIZATION SHOULD BE CONTACTED FOR THE LATEST REVISION.

DO NOT SCALE PRINT. UNLESS SPECIFIED DIMENSIONS IN mm [INCHES] TOLERANCES ON: 2 PLC DEC ± - 3 PLC DEC ± - ANGLES ± -	DR 08/10/93 T. SMITH	AMP AMP Incorporated Harrisburg, PA 17105-3608
	CHK 08/10/93 W. LENKER	
	APPD 08/10/93 R. KILE	
	APPD 08/10/93 R. KILE	
MATERIAL STAINLESS STEEL	PRODUCT SPEC -	NAME MOUNTING SCREW, UNIVERSAL HEADER
FINISH PASSIVATED	APPLICATION SPEC -	SIZE B
	WEIGHT -	CAGE CODE 00779
		DRAWING NO C-746383
		SCALE 10:1
		SHEET 1 OF 1