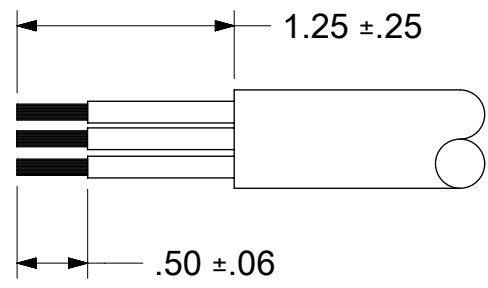
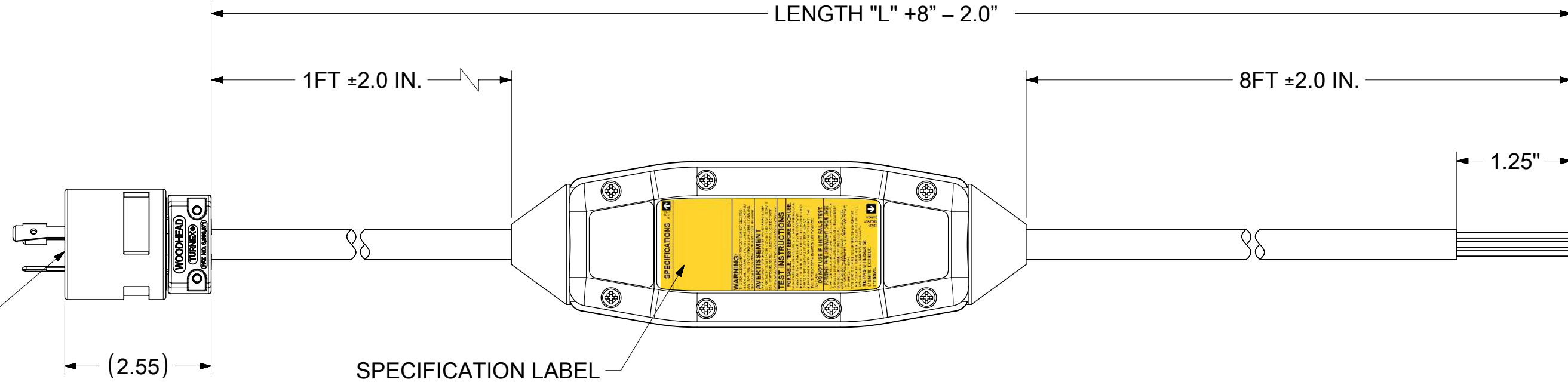


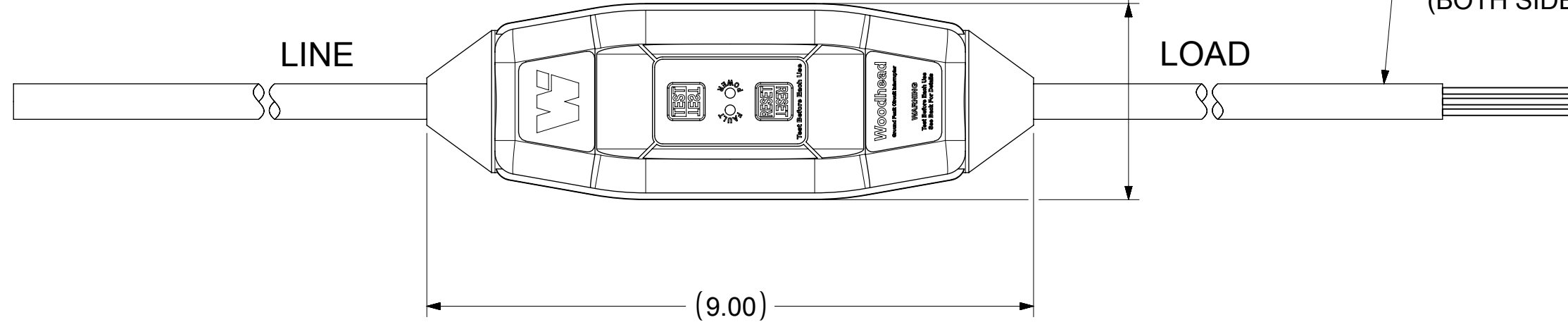
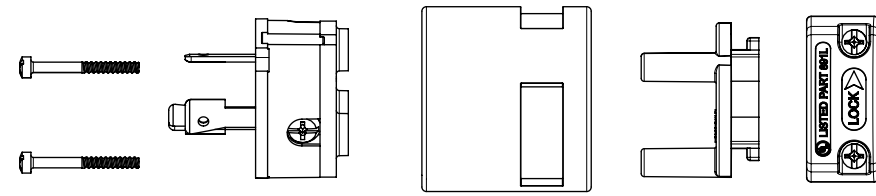
**CORD PREPARATION**



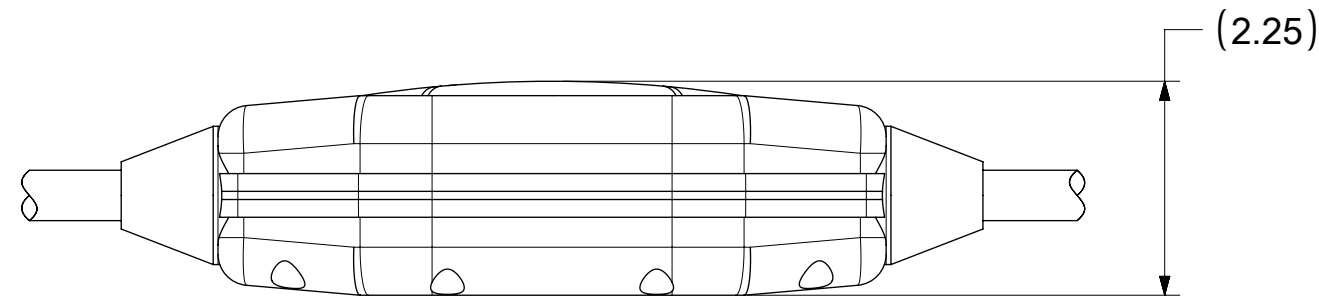
SUPER-SAFEWAY PLUG  
NEMA L6-20 (#2648)



SPECIFICATION LABEL



AWG: #12-3 YELLOW  
TYPE: SJEOOW, 300V  
AGENCY APPROVAL: UL & CSA CERTIFIED OR cUL  
(BOTH SIDE - PRIMARY & SECONDARY)



**TECHNICAL**

AGENCY APPROVAL: NONE  
 RATED SUPPLY VOLTAGE: 240VAC  
 RATED CURRENT: UP TO 20 AMPS  
 RESET TYPE: MANUAL  
 OPERATING FREQUENCY: 60 Hz  
 TYPE: CLASS A  
 GROUND TRIP CURRENT: 5mA +/- 1mA  
 OVERLOAD CURRENT: 120 AMPS, 50% INDUCTIVE  
 INSULATION VOLTAGE: 1,500 VRMS - 1 MINUTE  
 ENDURANCE OPERATIONS: 3000 OPERATIONS  
 ENCLOSURE: TYPE 4X, IP69, IP69K

| MATERIAL NO. | ENGINEERING NO. | LENGTH "L" | POWER-UP |
|--------------|-----------------|------------|----------|
| 1301530276   | 130153-0276     | 9.5 FT     | MANUAL   |

|   |   |                        |  |
|---|---|------------------------|--|
| FUNCTIONAL SYMBOLS<br>$\nabla_A = 0$<br>$\nabla_C = 0$<br>$\nabla_P = 0$                | THIS DRAWING CONTAINS INFORMATION THAT IS PROPRIETARY TO MOLEX ELECTRONIC TECHNOLOGIES, LLC AND SHOULD NOT BE USED WITHOUT WRITTEN PERMISSION |                        |  |
|   | DIMENSION UNITS   | SCALE                  | CURRENT REV DESC: NEW SALES DRAWING RELEASED |
|   | INCH  | NTS                    |  |
|   | GENERAL TOLERANCES (UNLESS SPECIFIED)   |                        |  |
| DIVISIONAL SYMBOLS<br>4 PLACES ±<br>3 PLACES ±<br>2 PLACES ±<br>1 PLACE ±<br>0 PLACES ± | ANGULAR TOL   | ± °                    | EC NO: 678993                                |
|   |   |                        | DRWN: VASUTHKARP 2021/09/01                  |
|   |   |                        | CHK'D: DNGUYEN62 2022/12/16                  |
|   |   |                        | APPR: HKNEELAND 2022/12/19                   |
| DRAFT WHERE APPLICABLE MUST REMAIN WITHIN DIMENSIONS                                    |   | THIRD ANGLE PROJECTION | DRAWING SERIES                               |
|   |   |                        | C-SIZE 130153                                |
| DOCUMENT NUMBER   |   | DOC TYPE               | DOC PART                                     |
| SD-130153-276   |   | PSD                    | 001  |
| CUSTOMER  |   | SHEET NUMBER           |  |
| GENERAL MARKET  |   | 1 OF 1                 |  |

**molex**

INLINE GFCI 20A, 240V  
INPUT 2648 NEMA L6-20, OUPUT FLYING LEADS

PRODUCT CUSTOMER DRAWING