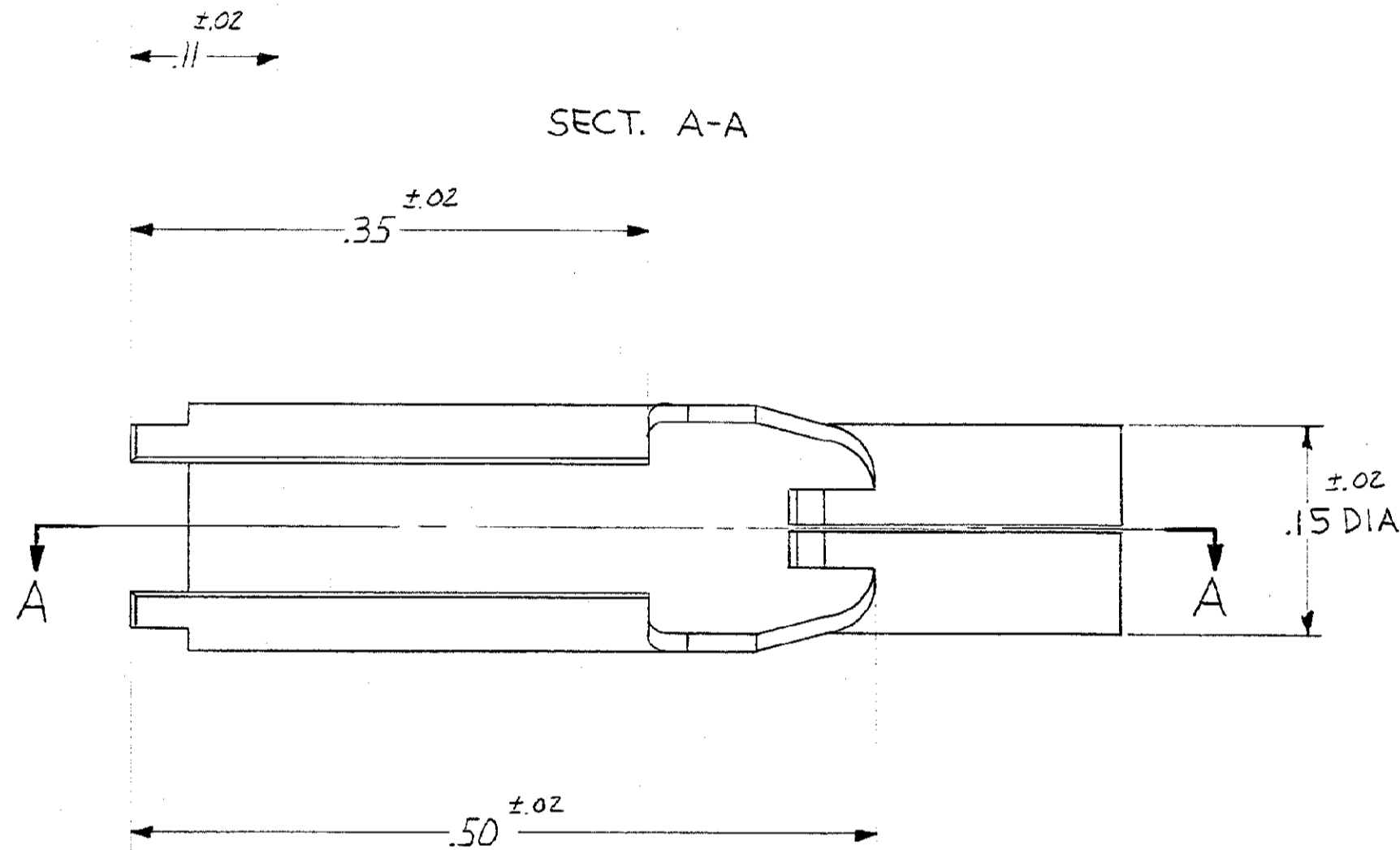


SECT. A-A



- MATL: 1/2 HARD BERYLLIUM COPPER PER QQ-C-533.
- PLATING: .000030 MIN. GOLD PER MIL-G-45204 OVER .0001 NICKEL PER QQ-N-290.

435096-1 AS SHOWN

REV	REVISION RECORD	DATE	BY
5	REVISED PLATING	3-15-71	Cliff Baker
4	ADDED DIMS	3-10-71	Cliff Baker
3	ADDED DIMS	3-10-71	Cliff Baker
2	ADDED DIMS	3-10-71	Cliff Baker
1	ADDED DIMS	3-10-71	Cliff Baker

REQD PER ASSEMBLY	CMWG SIZE	NUMBER	NAME	REMARKS	ITEM NO
				SEE NOTE 1	
				SEE NOTE 2	
				REMOVE BURRS, BREAK SHARP EDGES .015 R MAX	
				DECIMALS: .00 = ±.02, .000 = ±.005, .0000 = ±.0005	
				ANGLES: ±0° 30'	
				TYPE REMOVABLE CONTACT	
				AMP INCORPORATED HARRISBURG, PENNA.	
				LOC S C	
				NO. 435096	
				SCALE 10:1	
				RECEPTACLE, SHIELD	

CUSTOMER DRAWING

DIMENSIONS IN INCHES. DO NOT SCALE PRINT.