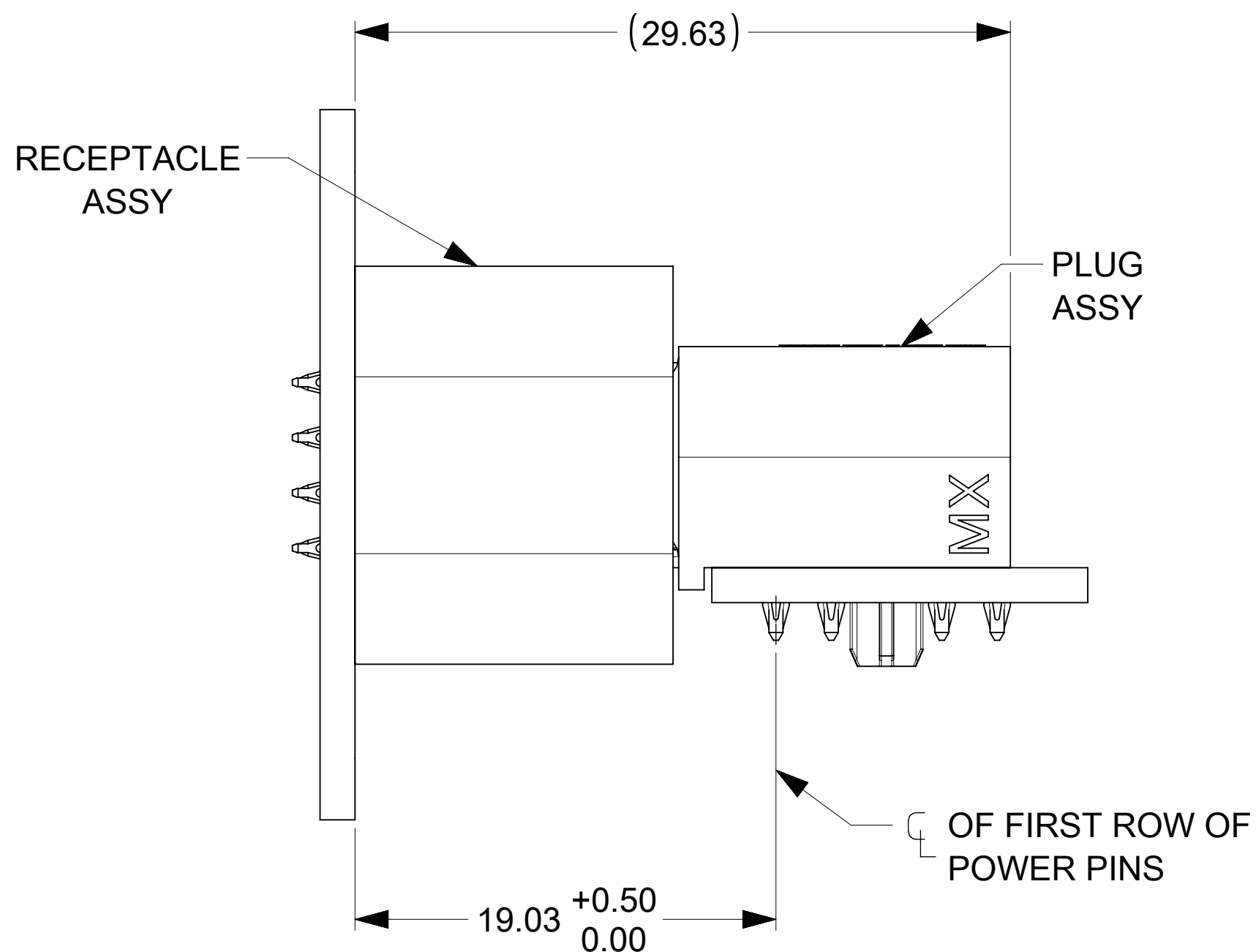
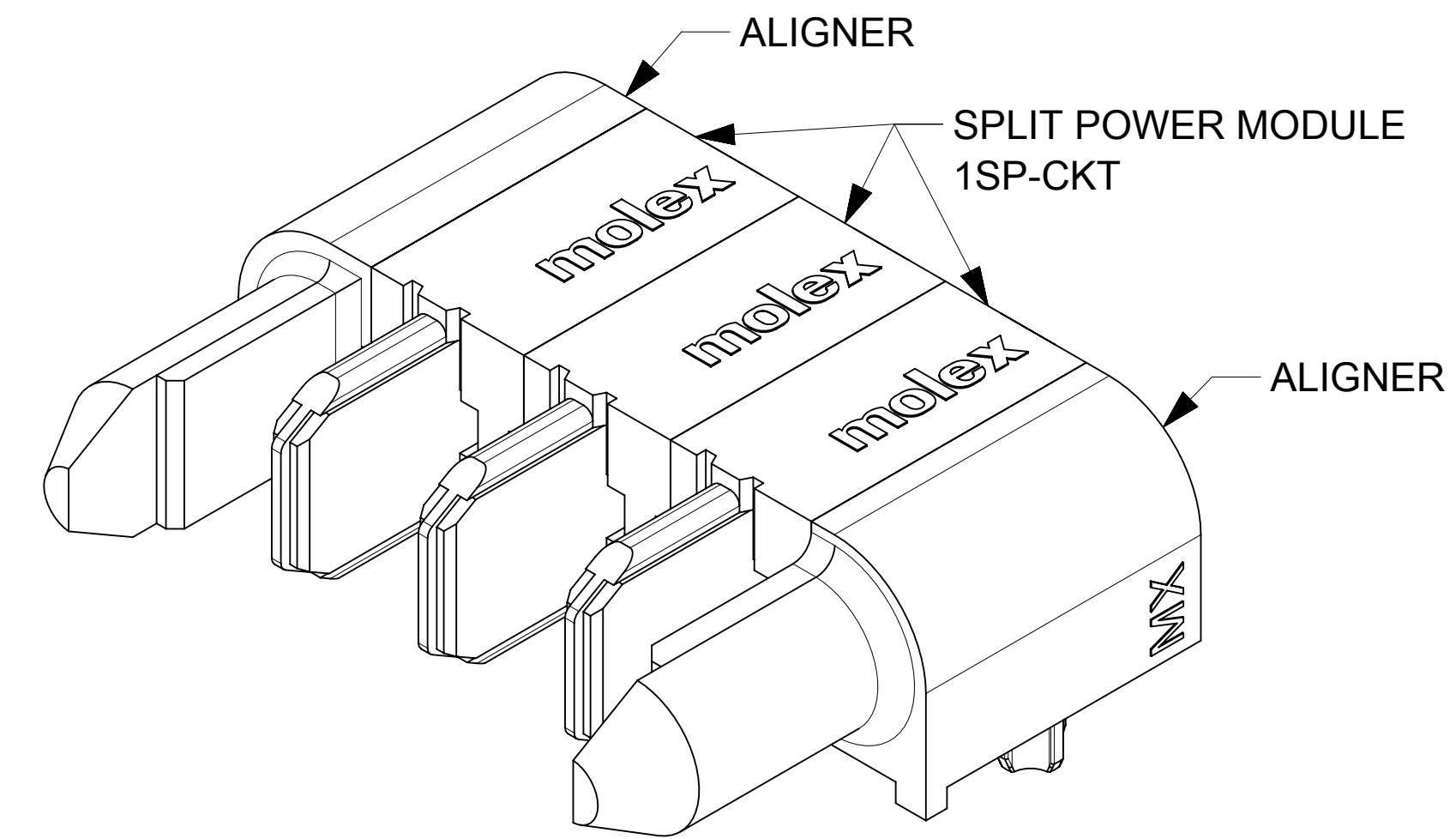


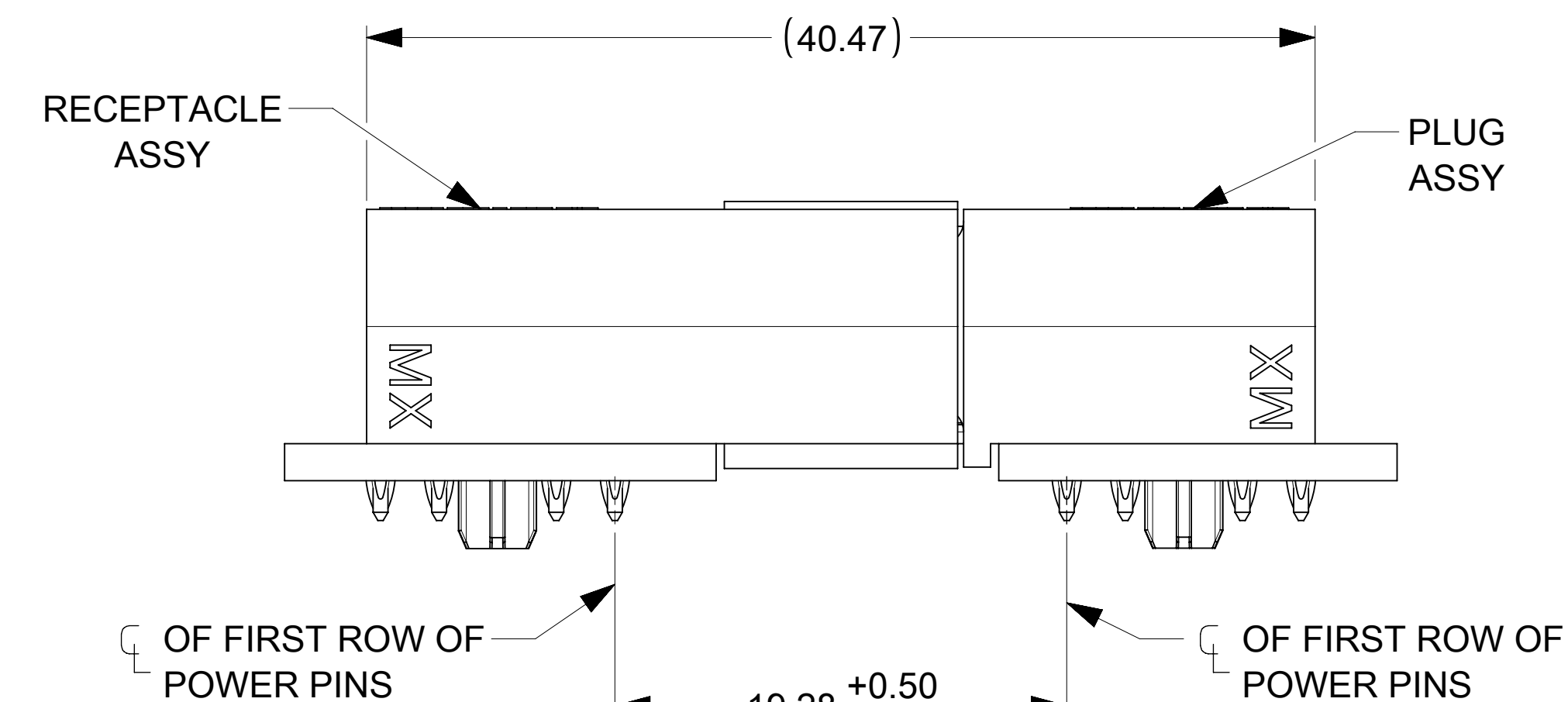
SECTION A-A



MATED PROFILE  
(MATED WITH VERT RECEPTACLE ASSY)



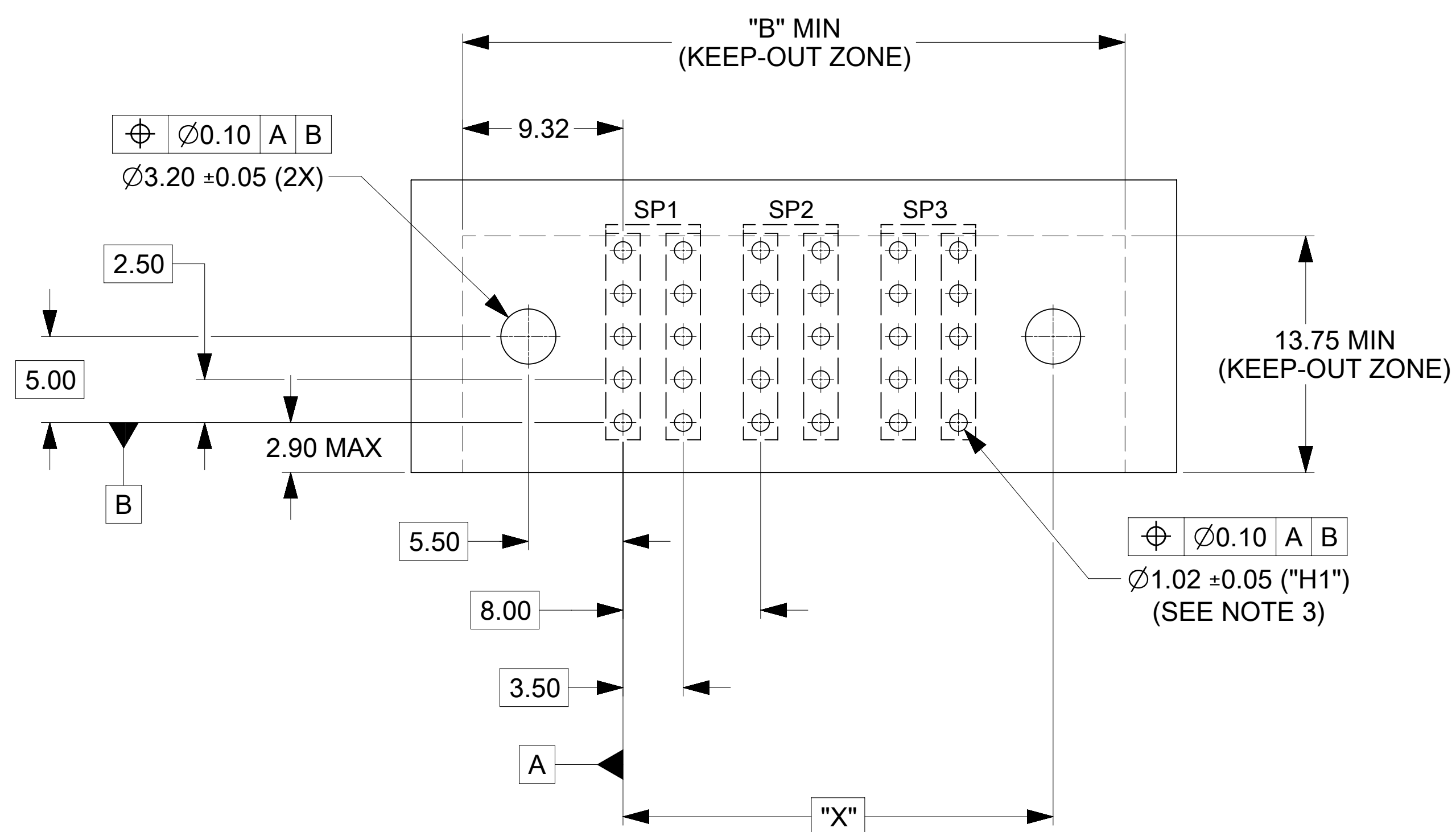
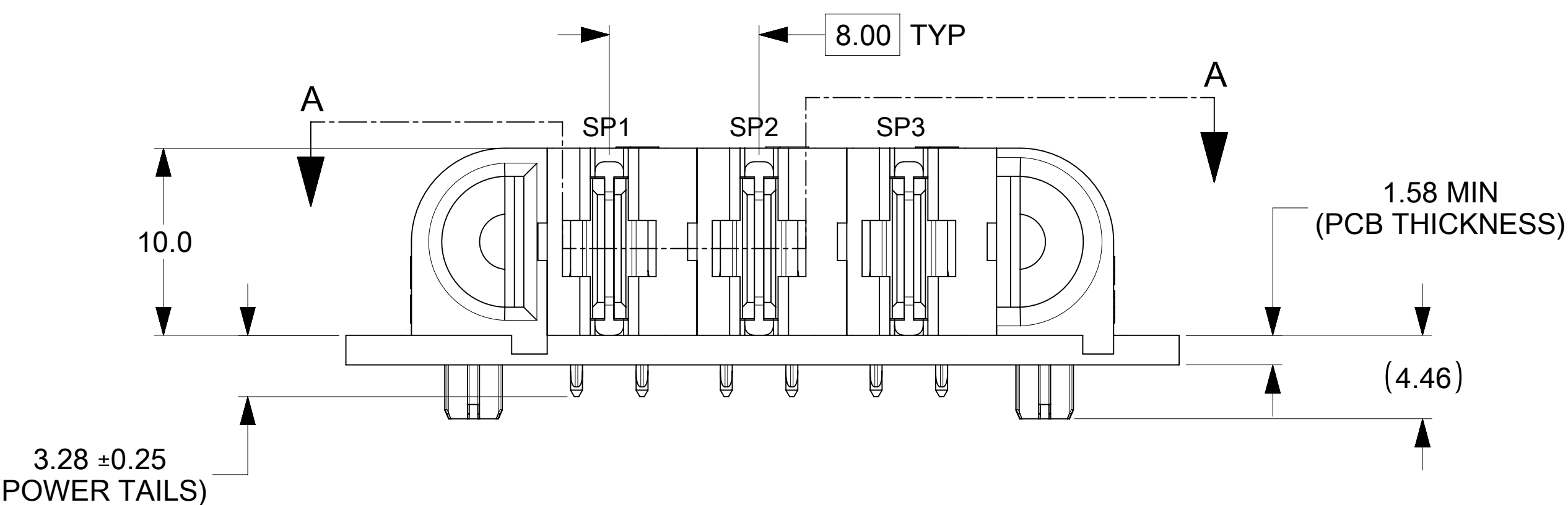
P/N: 171088-8403 (G-3SP-G)



MATED PROFILE  
(MATED WITH R/A RECEPTACLE ASSY)

NOTES:

- MATERIAL:
  - HOUSINGS: LCP UL94, V-0, COLOR : BLACK
  - TERMINALS: HIGH CONDUCTIVITY COPPER ALLOY
  - PLATING: 1.27 MICROMETER (50 MICROINCH) NICKEL OVERALL WITH 2.54 MICROMETER (100 MICROINCH) SELECTIVE TIN ON TAILS AND 0.762 MICROMETER (30 MICROINCH) SELECTIVE GOLD ON CONTACT AREA
- PACKAGING: ASSEMBLIES TO BE TRAY PACKED PER PACKAGING SPEC: 1710881001-PK
- PLATED THRU HOLE SIZE, REFER TO PS-171088-0000 FOR DETAILS
- PRODUCT SPEC: PS-171088-0000
- PRODUCT TO MEET RoHS REQUIREMENTS
- ASSEMBLY MATES TO MOLEX RECEPTACLE ASSEMBLY P/N 171089-\*\*\*\* AND 171090-\*\*\*\* (SEE TABLE IN SHEET 2)
- TAIL DESIGN: COMPLIANT PIN
- POWER CONTACTS ARE LUBRICATED.
- APPLICATION SPEC: AS-46436-100
- MOLEX LOGO TO BE LOCATED APPROXIMATELY AS SHOWN.

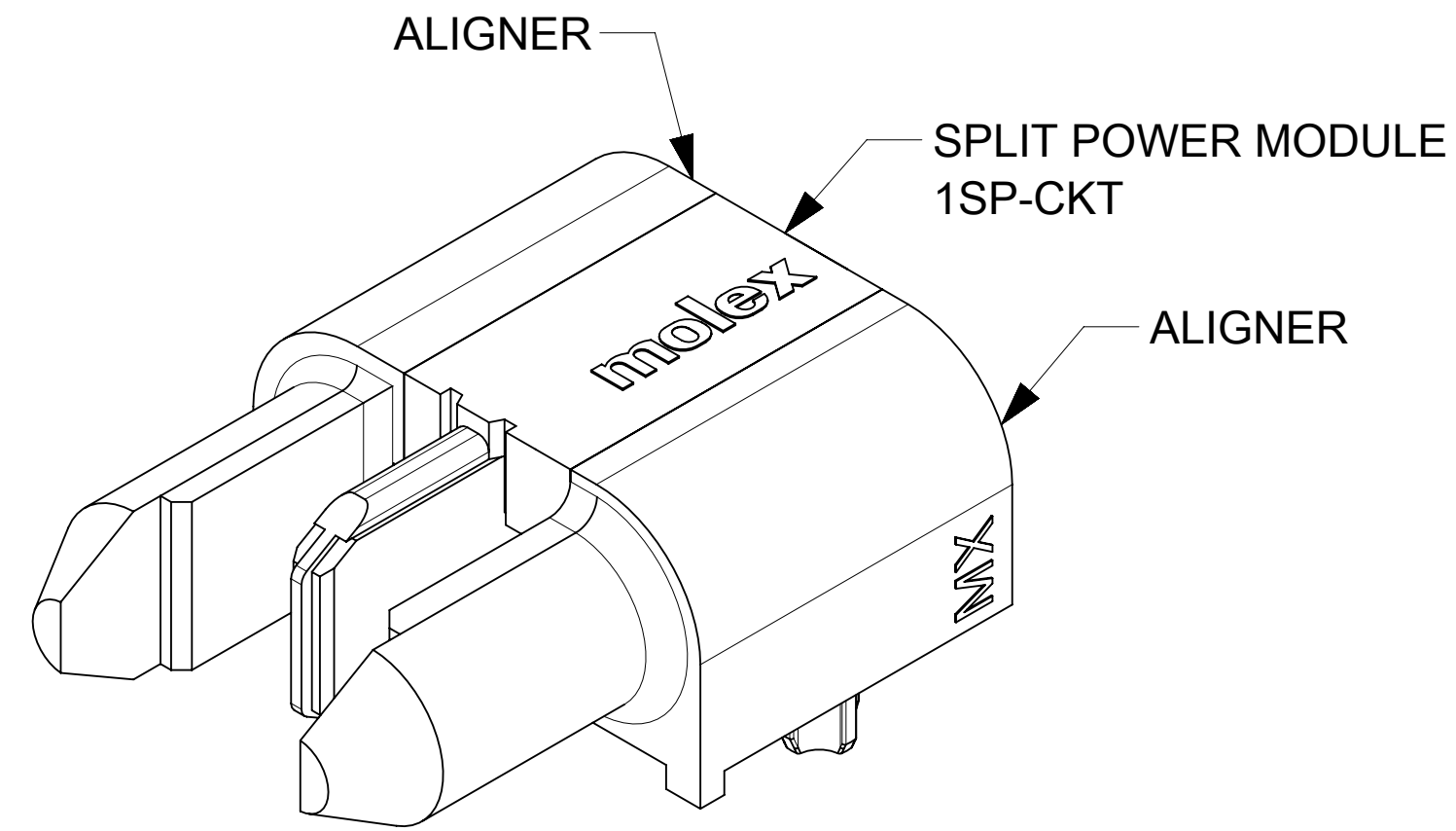


RECOMMENDED PCB LAYOUT AND KEEP-OUT ZONE FOR G-(1SP TO 3SP)-G

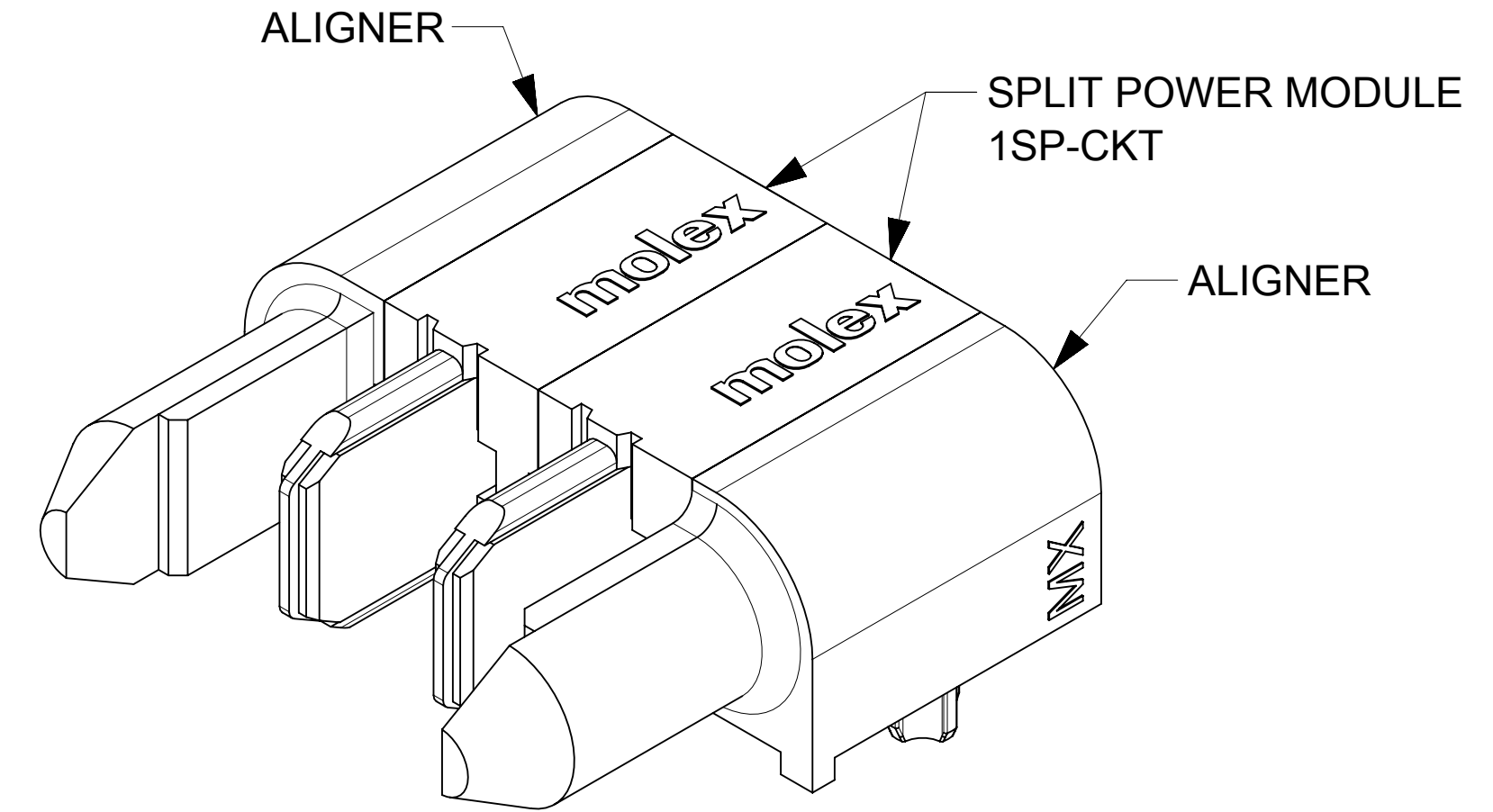
THIS DRAWING CONTAINS INFORMATION THAT IS PROPRIETARY TO MOLEX ELECTRONIC TECHNOLOGIES, LLC AND SHOULD NOT BE USED WITHOUT WRITTEN PERMISSION											
DIMENSION UNITS	SCALE	CURRENT REV DESC: REMOVED P/N 8404 TO 8410									
mm	4:1	<p>G-3SP-G R/A PLUG ASSY - TEN60 SPLIT POWER</p> <p>PRODUCT CUSTOMER DRAWING</p>									
GENERAL TOLERANCES (UNLESS SPECIFIED)											
ANGULAR TOL	± 0.5°										
4 PLACES	±										
3 PLACES	±										
2 PLACES	± 0.13										
1 PLACE	± 0.25	EC NO: 707711	DRWN: KSUTAR		2022/05/19		DOC TYPE		DOC PART	REVISION	
0 PLACES	±	INITIAL REVISION:	DRWN: KSUTAR		2021/09/22		1710888410		PSD	000	A2
DRAFT WHERE APPLICABLE MUST REMAIN WITHIN DIMENSIONS		THIRD ANGLE PROJECTION	DRAWING	SERIES	MATERIAL NUMBER	CUSTOMER	SHEET NUMBER				
			D-SIZE	171088	SEE TABLE	GENERAL MARKET	1 OF 2				

REFER TO BELOW TABLE FOR DIMENSIONS.

FG P/N	CONFIGURATION	POWER CKT SIZE	DIM "A" (IN MM)	DIM "B" (IN MM)	DIM "X" (IN MM)	HOLES COUNT "H1"	MATES WITH R/A ASSY P/N	MATES WITH VERT ASSY P/N
1710888401	G-1SP-G	1	21.50	22.50	9.00	10	1710908401	1710898401
1710888402	G-2SP-G	2	29.50	30.50	17.00	20	1710908402	1710898402
1710888403	G-3SP-G	3	37.50	38.50	25.00	30	1710908403	1710898403



P/N: 171088-8401 (G-1SP-G)



P/N: 171088-8402 (G-2SP-G)

THIS DRAWING CONTAINS INFORMATION THAT IS PROPRIETARY TO MOLEX ELECTRONIC TECHNOLOGIES, LLC AND SHOULD NOT BE USED WITHOUT WRITTEN PERMISSION											
DIMENSION UNITS		SCALE		CURRENT REV DESC: REMOVED P/N 8404 TO 8410						<b>molex</b>	
mm		4:1									
GENERAL TOLERANCES (UNLESS SPECIFIED)				EC NO: 707711							
ANGULAR TOL ± 0.5°				DRWN: KSUTAR		2022/05/19		G-*SP-G R/A PLUG ASSY - TEN60 SPLIT POWER			
4 PLACES ±		3 PLACES ±		CHK'D: GJEEVANSURES		2022/05/23					
2 PLACES ± 0.13		1 PLACE ± 0.25		APPR: HTHYAGARAJ		2022/06/08		PRODUCT CUSTOMER DRAWING			
0 PLACES ±				INITIAL REVISION:		DRWN: KSUTAR		2021/09/22		DOCUMENT NUMBER	
DRAFT WHERE APPLICABLE MUST REMAIN WITHIN DIMENSIONS				THIRD ANGLE PROJECTION		DRAWING		SERIES		REVISION	
D-SIZE		171088		MATERIAL NUMBER		CUSTOMER		SEE TABLE		GENERAL MARKET	
PSD		000		A2		SHEET NUMBER		2 OF 2			