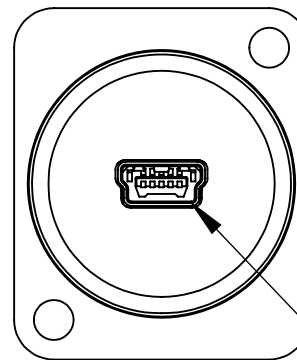
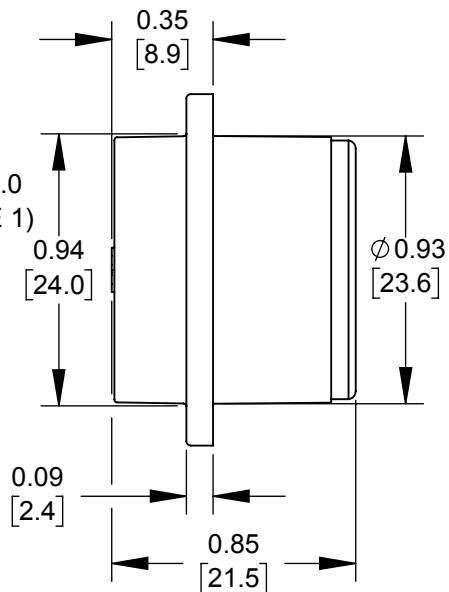


FRONT VIEW

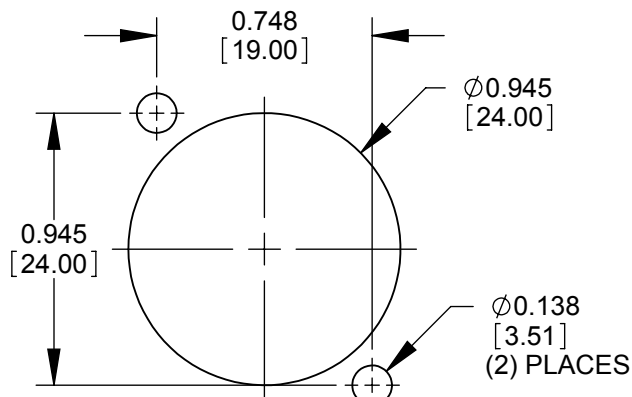
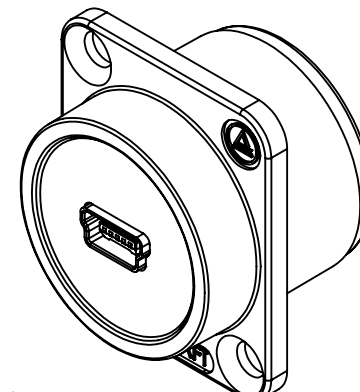
$\varnothing 0.138$ [3.51] THRU
 $\checkmark \varnothing 0.230$ [5.84] x 82°
 (2) PLACES

MINI USB 2.0
(SEE NOTE 1)



REAR VIEW

MINI USB 2.0
(SEE NOTE 1)



RECOMMENDED
PANEL CUT-OUT

CUSTOMER DRAWING

NOTES:

1. RECEPTACLE IS USB 2.0 MINI TYPE "B".
2. MATERIALS:
 USB 2.0 MINI -
 INSULATOR - THERMOPLASTIC, BLACK
 SHELL - COPPER ALLOY, NICKEL PLATED
 CONTACTS - COPPER ALLOY, GOLD PLATED
 PCB - FR4
 EH HOUSING - THERMOPLASTIC, BLACK
3. THIS PRODUCT IS RoHS COMPLIANT.

					THIS DRAWING DESCRIBES A DESIGN CONSIDERED PROPRIETARY IN NATURE, DEVELOPED AND MANUFACTURED BY SWITCHCRAFT INC. AND IS RELEASED ON A CONFIDENTIAL BASIS FOR IDENTIFICATION PURPOSES ONLY.				
					SIZE	WIDTH	MULT	LBS/M	TEMPER
					UNLESS OTHERWISE SPECIFIED			FINISH	
					1. ALL DIMENSIONS IN INCHES [mm]			MATERIAL	
					- TWO PLACE DECIMALS ±0.02 [0.5]			SPEC No.	
					- THREE PLACE DECIMALS ±0.005 [0.13]			SCALE	
					FIRST USED ON		3:2		
					DATE DRAWN	BY	CHKD	APVD	
					8/22/18	JGK	*	*	
0A	PDR 18003	8/22/18	JGK	*	NAME			PART No.	REV
REV	ECO NUMBER	DATE	BY	APVD	EH USB 2.0 MINI FEED-THRU, RoHS			EHUSBMNMN	0A
REVISIONS					DO NOT SCALE DRAWING				

