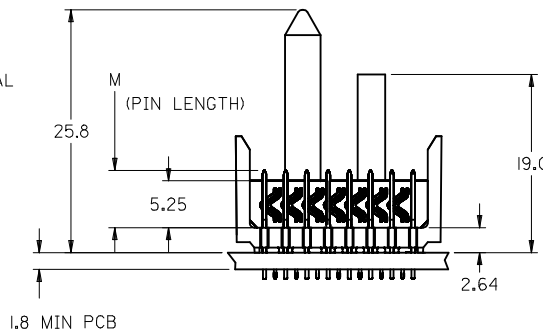
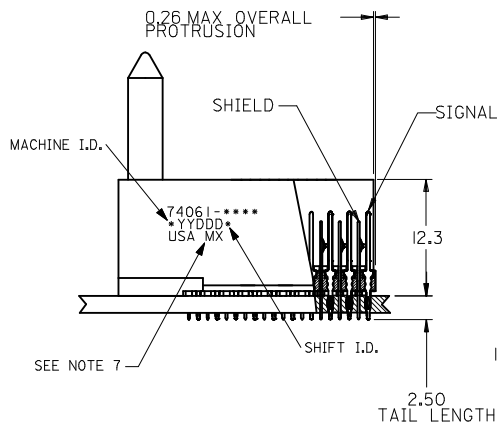


**BACKPLANE HOLE PATTERN**  
RECOMMENDED DIMENSION

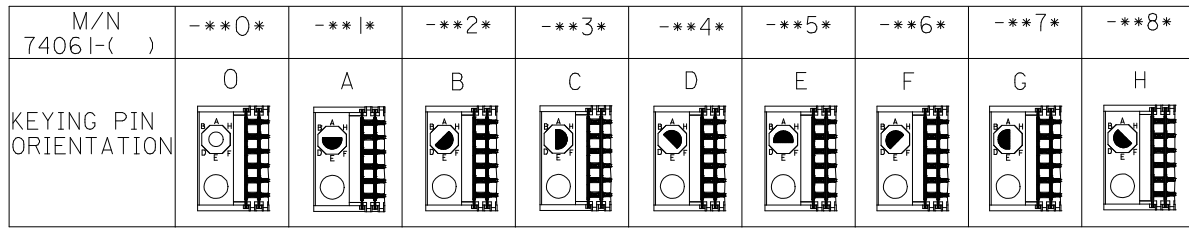


**NOTES:**

1. MATERIALS:  
HOUSING - LIQUID CRYSTAL POLYMER (LCP),  
GLASS-FILLED, UL 94V-0, COLOR: BLACK  
SIGNAL PIN & SHIELD - COPPER ALLOY
2. FINISHES:  
CONTACT AREA: SELECTIVE GOLD (Au)  
PCB TAILS: SELECTIVE MATTE TIN (Sn)  
NICKEL (Ni) OVERALL.
3. THIS PART CONFORMS TO MOLEX PRODUCT SPECIFICATION PS-74031-999
4. FOR MIXED CONTACT LENGTHS CONSULT MOLEX FOR AVAILABILITY
5. FOR SPECIFIC MATERIAL NUMBERS & MATING INFORMATION REFER TO SHEET 2
6. PACKAGE PER PK-74061-003
7. MARK PART WITH PART NUMBER & DATE CODE APPROXIMATELY WHERE SHOWN
8. MAPS (MOLEX ADVANCED PLATING SYSTEM).

THE PRIMARY CARTON WITH A LABEL STATING "ELV AND RoHS COMPLAINT" IS LEAD FREE. CARTONS WITHOUT THIS LABEL MAY CONTAIN LEAD.

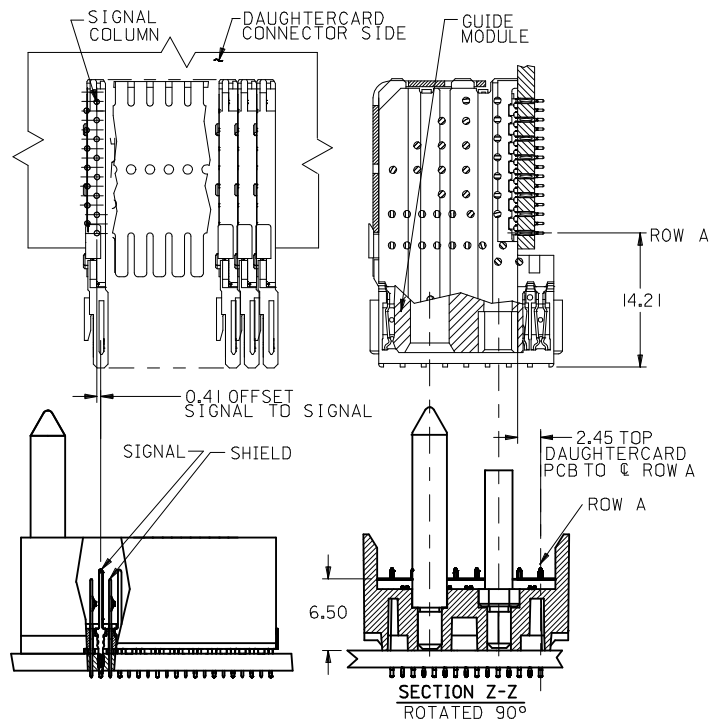
|   |  |  |   |                       |   |                        |
|---|--|--|---|-----------------------|---|------------------------|
| <b>LEAD FREE CONVERSION</b><br>EC NO: UCP2013-0687<br>DRAWINGS: 2012/08/23<br>CHKD: MWOLFE 2012/11/20<br>APPR: SMILLER 2012/12/14<br>REV: | QUALITY SYMBOLS                                      | GENERAL TOLERANCES (UNLESS SPECIFIED)  | DIMENSION STYLE<br><b>MM ONLY</b>   | SCALE<br><b>2.5:1</b> | DESIGN UNITS<br><b>METRIC</b>   | THIRD ANGLE PROJECTION |
|   | ▽=0  | mm INCH  | DRAWN BY DATE<br>JMELTON 2010/05/19   | TITLE                 | <b>VHDM 8 ROW<br/>         SIGNAL END BACKPLANE<br/>         SALES ASSEMBLY</b><br> |                        |
|   | ▽=0  | 4 PLACES ± --- ± ---<br>3 PLACES ± --- ± ---<br>2 PLACES ± --- ± ---<br>1 PLACE ± --- ± ---<br>0 PLACE ± ± | CHECKED BY DATE<br>SDANNELLEY 2010/05/19  |                       |   |                        |
|   | ▽=0  | ANGULAR ±1/2°  | APPROVED BY DATE<br>SMILLER 2010/07/14  | MATERIAL NO.          | DOCUMENT NO.  | SHEET NO.              |
|   | DRAFT WHERE APPLICABLE MUST REMAIN WITHIN DIMENSIONS |  | <b>SEE SHEET 2</b>  | <b>SD-74061-002</b>   | <b>1 OF 2</b>   |                        |
|   |  |  | THIS DRAWING CONTAINS INFORMATION THAT IS PROPRIETARY TO MOLEX INCORPORATED AND SHOULD NOT BE USED WITHOUT WRITTEN PERMISSION |                       |   |                        |



74061 - \* \* \* \*

NUMBER OF COLUMNS/PLATING  
 10 = 10 COLUMN MATTE TIN (FORMERLY TIN/LEAD)  
 12 = 12 COLUMN MATTE TIN (FORMERLY TIN/LEAD)  
 25 = 25 COLUMN MATTE TIN (FORMERLY TIN/LEAD)  
 60 = 10 COLUMN MATTE TIN (MAPS)  
 62 = 12 COLUMN MATTE TIN (MAPS)  
 75 = 25 COLUMN MATTE TIN (MAPS)  
 90 = 10 COLUMN MATTE TIN  
 92 = 12 COLUMN MATTE TIN  
 85 = 25 COLUMN MATTE TIN

CONTACT LOAD (PIN LENGTH)  
 1 & 6 = 4.75  
 2 & 7 = 6.25  
 3 & 8 = 4.25  
 4 & 9 = 5.15



| PART NUMBER       | COLUMN | NUMBER OF SIGNAL PIN | NUMBER OF SHIELD | A     | B     | M    | GOLD THICKNESS MICROMETER | TIN THICKNESS MICROMETER |
|-------------------|--------|----------------------|------------------|-------|-------|------|---------------------------|--------------------------|
| <b>74061-60*1</b> | 10     | 80                   | 10               | 27.00 | 18.00 | 4.75 | 0.25 MAPS                 | 0.76-1.52                |
| 74061-*0*1        |        |                      |                  |       |       |      | 0.76                      |                          |
| 74061-*0*6        |        |                      |                  |       |       |      | 1.27                      |                          |
| <b>74061-75*1</b> | 25     | 200                  | 25               | 57.00 | 48.00 | 4.75 | 0.25 MAPS                 |                          |
| 74061-*5*1        |        |                      |                  |       |       |      | 0.76                      |                          |
| 74061-*5*6        |        |                      |                  |       |       |      | 1.27                      |                          |
| <b>74061-60*2</b> | 10     | 80                   | 10               | 27.00 | 18.00 | 6.25 | 0.25 MAPS                 |                          |
| 74061-*0*2        |        |                      |                  |       |       |      | 0.76                      |                          |
| 74061-*0*7        |        |                      |                  |       |       |      | 1.27                      |                          |
| <b>74061-75*2</b> | 25     | 200                  | 25               | 57.00 | 48.00 | 6.25 | 0.25 MAPS                 |                          |
| 74061-*5*2        |        |                      |                  |       |       |      | 0.76                      |                          |
| 74061-*5*7        |        |                      |                  |       |       |      | 1.27                      |                          |
| <b>74061-60*3</b> | 10     | 80                   | 10               | 27.00 | 18.00 | 4.25 | 0.25 MAPS                 |                          |
| 74061-*0*3        |        |                      |                  |       |       |      | 0.76                      |                          |
| 74061-*0*8        |        |                      |                  |       |       |      | 1.27                      |                          |
| <b>74061-75*3</b> | 25     | 200                  | 25               | 57.00 | 48.00 | 4.25 | 0.25 MAPS                 |                          |
| 74061-*5*3        |        |                      |                  |       |       |      | 0.76                      |                          |
| 74061-*5*8        |        |                      |                  |       |       |      | 1.27                      |                          |
| <b>74061-60*4</b> | 10     | 80                   | 10               | 27.00 | 18.00 | 5.15 | 0.25 MAPS                 |                          |
| 74061-*0*4        |        |                      |                  |       |       |      | 0.76                      |                          |
| 74061-*0*9        |        |                      |                  |       |       |      | 1.27                      |                          |
| <b>74061-75*4</b> | 25     | 200                  | 25               | 57.00 | 48.00 | 5.15 | 0.25 MAPS                 |                          |
| 74061-*5*4        |        |                      |                  |       |       |      | 0.76                      |                          |
| 74061-*5*9        |        |                      |                  |       |       |      | 1.27                      |                          |

| PART NUMBER       | COLUMN | NUMBER OF SIGNAL PIN | NUMBER OF SHIELD | A     | B     | M    | GOLD THICKNESS MICROMETER | TIN THICKNESS MICROMETER |
|-------------------|--------|----------------------|------------------|-------|-------|------|---------------------------|--------------------------|
| <b>74061-62*1</b> | 12     | 96                   | 12               | 31.00 | 22.00 | 4.75 | 0.25 MAPS                 | 0.76-1.52                |
| 74061-*2*1        |        |                      |                  |       |       |      | 0.76                      |                          |
| 74061-*2*6        |        |                      |                  |       |       |      | 1.27                      |                          |
| <b>74061-62*2</b> | 12     | 96                   | 12               | 31.00 | 22.00 | 6.25 | 0.25 MAPS                 |                          |
| 74061-*2*2        |        |                      |                  |       |       |      | 0.76                      |                          |
| 74061-*2*7        |        |                      |                  |       |       |      | 1.27                      |                          |
| <b>74061-62*3</b> | 12     | 96                   | 12               | 31.00 | 22.00 | 4.25 | 0.25 MAPS                 |                          |
| 74061-*2*3        |        |                      |                  |       |       |      | 0.76                      |                          |
| 74061-*2*8        |        |                      |                  |       |       |      | 1.27                      |                          |
| <b>74061-62*4</b> | 12     | 96                   | 12               | 31.00 | 22.00 | 5.15 | 0.25 MAPS                 |                          |
| 74061-*2*4        |        |                      |                  |       |       |      | 0.76                      |                          |
| 74061-*2*9        |        |                      |                  |       |       |      | 1.27                      |                          |

SEE SHEET 1  
 EC NO: UCP2013-0687  
 DRAWINGS: 2012/08/23  
 CHKD: MWOLFE 2012/11/20  
 APPR: MILLER 2012/12/14

QUALITY SYMBOLS  
 ∇=0  
 ∇=0  
 ∇=0

GENERAL TOLERANCES (UNLESS SPECIFIED)  

|          | mm    | INCH  |
|----------|-------|-------|
| 4 PLACES | ± --- | ± --- |
| 3 PLACES | ± --- | ± --- |
| 2 PLACES | ± --- | ± --- |
| 1 PLACE  | ± --- | ± --- |
| 0 PLACE  | ±     | ±     |

 ANGULAR ±1/2°  
 DRAFT WHERE APPLICABLE MUST REMAIN WITHIN DIMENSIONS

DIMENSION STYLE  
**MM ONLY**

DRAWN BY DATE  
 JMELTON 2010/05/19

CHECKED BY DATE  
 SDANNELLEY 2010/05/19

APPROVED BY DATE  
 MILLER 2010/07/14

MATERIAL NO.  
**SEE TABLE**

SCALE  
**2.5:1**

DESIGN UNITS  
**METRIC**

THIRD ANGLE PROJECTION

VHDM 8 ROW  
 SIGNAL END BACKPLANE  
 SALES ASSEMBLY

**molex**

DOCUMENT NO.  
**SD-74061-002**

SHEET NO.  
**2 OF 2**

THIS DRAWING CONTAINS INFORMATION THAT IS PROPRIETARY TO MOLEX INCORPORATED AND SHOULD NOT BE USED WITHOUT WRITTEN PERMISSION