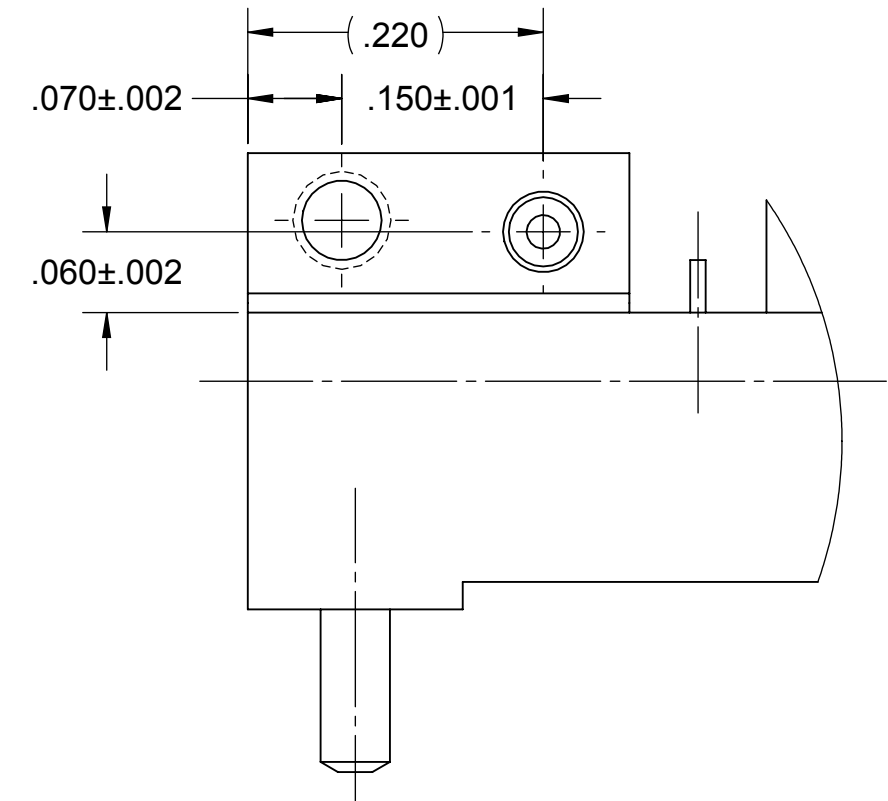
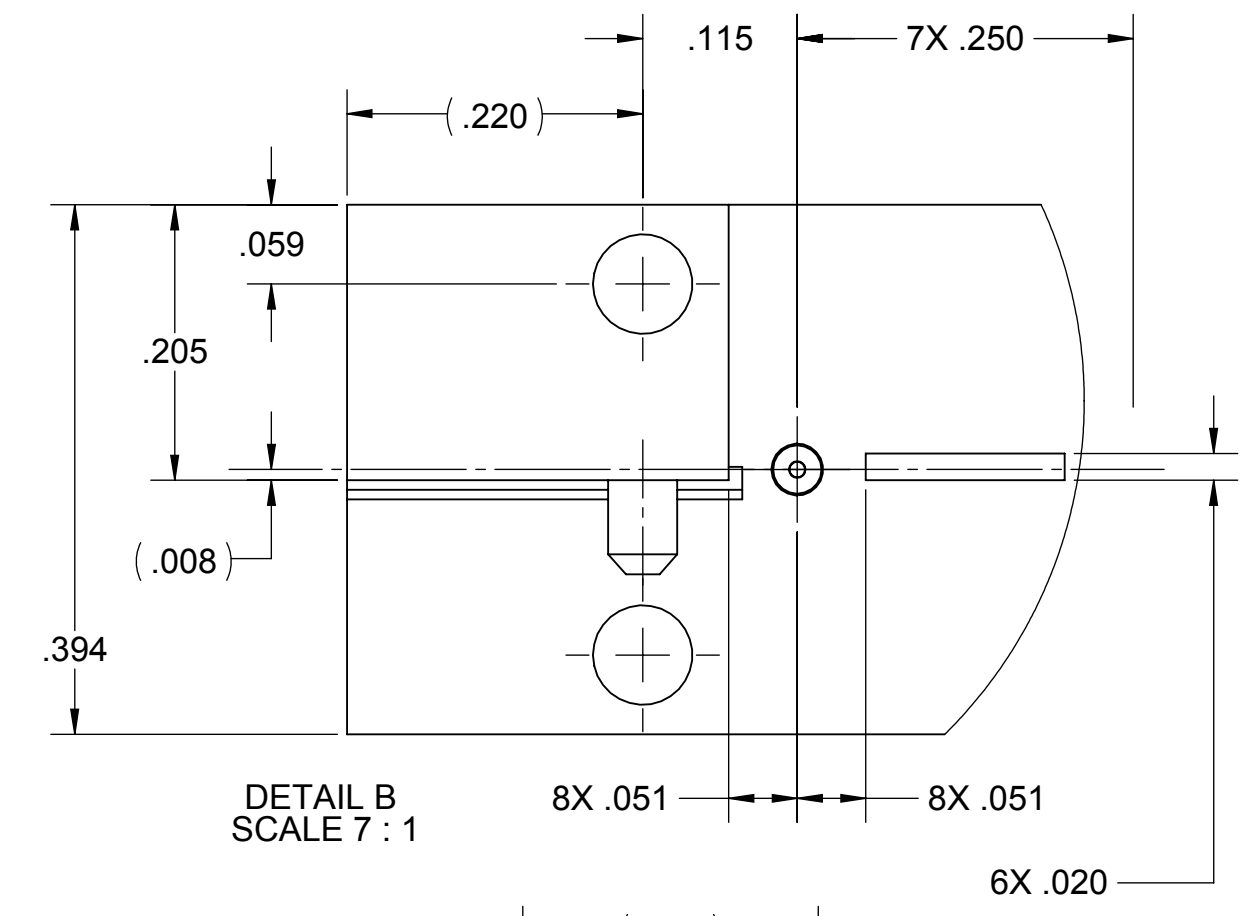
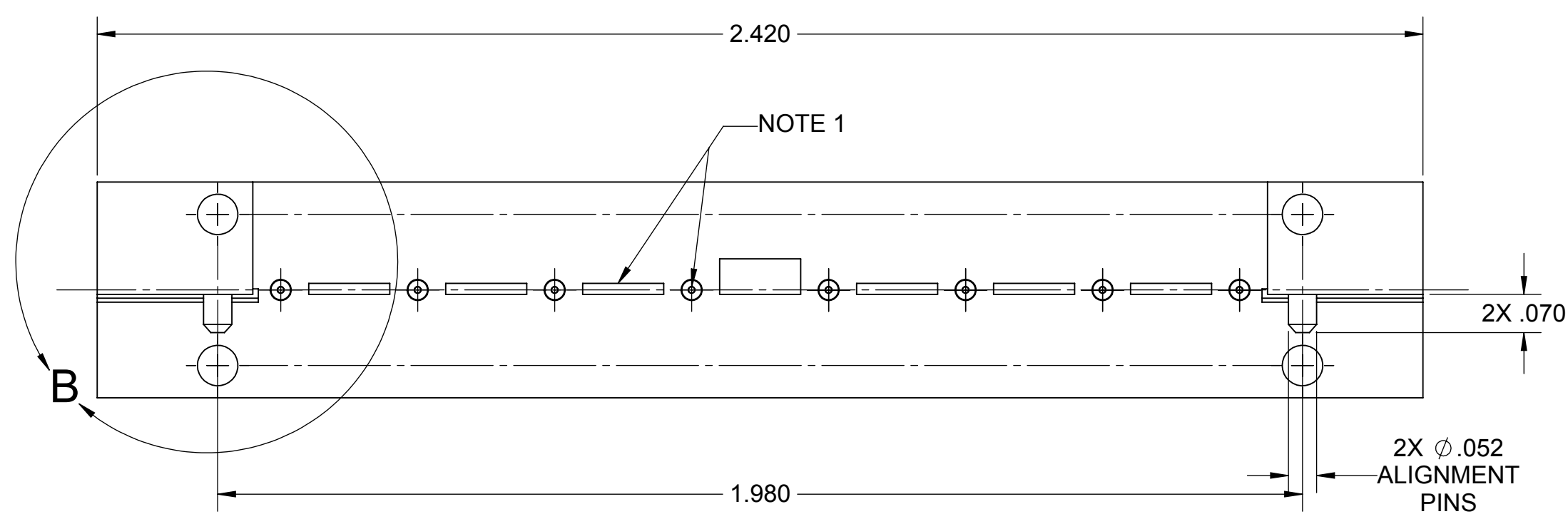
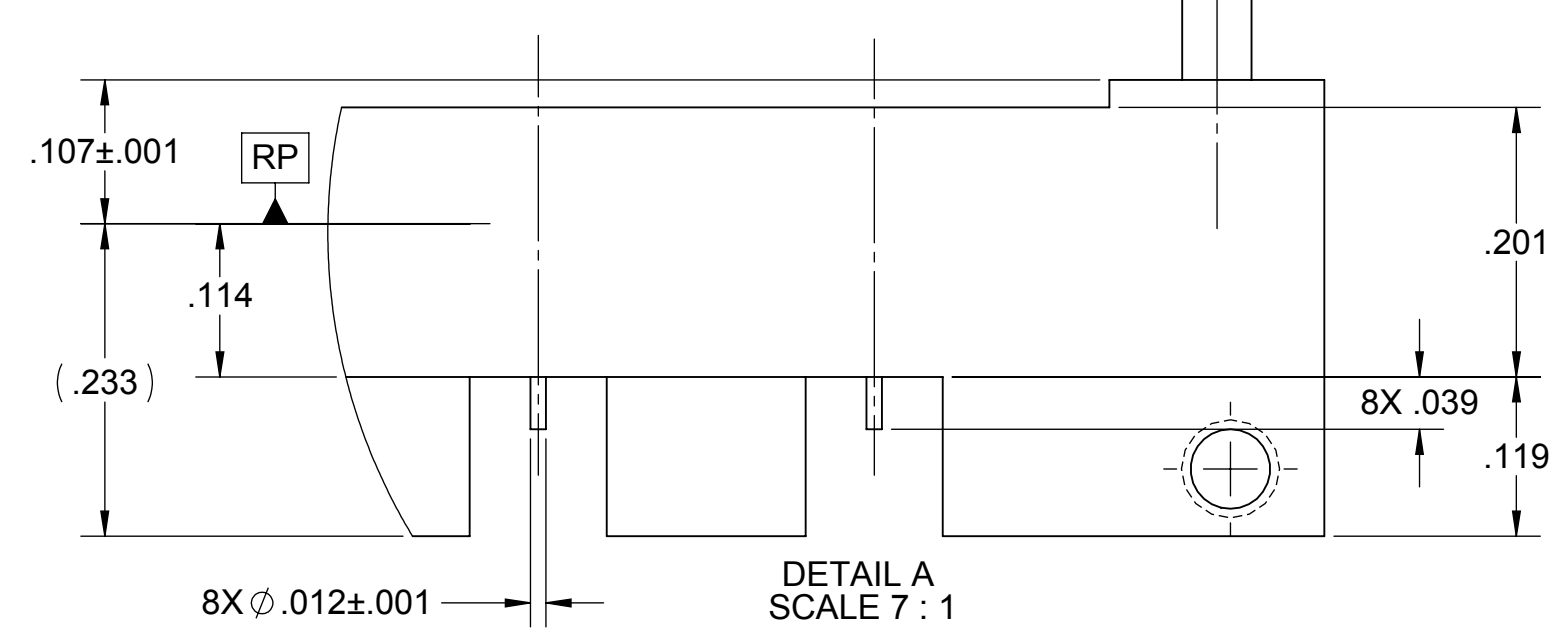
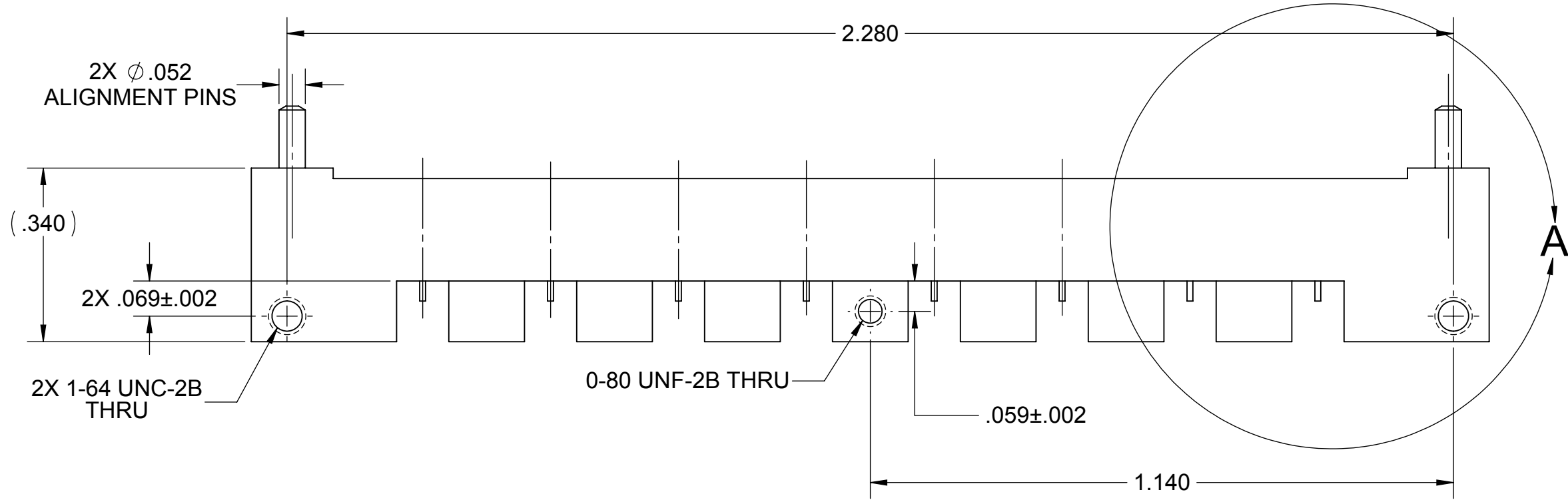


PRODUCT DATA DRAWING

REVISION HISTORY			
REV.	DESCRIPTION	DATE	APPROVED
-	DCN 42455	06/16	STW



MATERIAL:

BODY & SHROUDS: STAINLESS STEEL PER AMS-5640, ALLOY UNS S30300, TYPE 1; OR ASTM A582 TYPE 303, COND. A

CONTACTS: BERYLLIUM COPPER PER ASTM B196, ALLOY No. UNS C17300, TD04

INSULATORS: PTFE PER ASTM D1710, TYPE I, GRADE 1, CLASS B

FINISH:

BODY, SHROUDS, & CONTACTS: GOLD PER ASTM B488, TYPE II, CODE C, CLASS 0.76, OVER NICKEL PER AMS-QQ-N-290, CLASS 1, .00010" MIN.

PERFORMANCE:

IMPEDANCE: 50 OHMS
FREQ. RANGE: DC TO 65 GHZ.

NOTES:

- CENTER PINS, POSTS, AND PCB MOUNT AREA TO BE PRE-TINNED USING Sn96 SOLDER.
- ALL DIMENISONS APPLY PRIOR TO PRE-TINNING.

MATERIAL:	SEE NOTES
FINISH:	SEE NOTES
DO NOT SCALE DRAWING	
PROPRIETARY	
<small>THE INFORMATION CONTAINED IN THIS DRAWING IS THE SOLE PROPERTY OF SV MICROWAVE, INC. ANY REPRODUCTION IN PART OR AS A WHOLE WITHOUT THE WRITTEN PERMISSION OF SV MICROWAVE, INC. IS PROHIBITED.</small>	

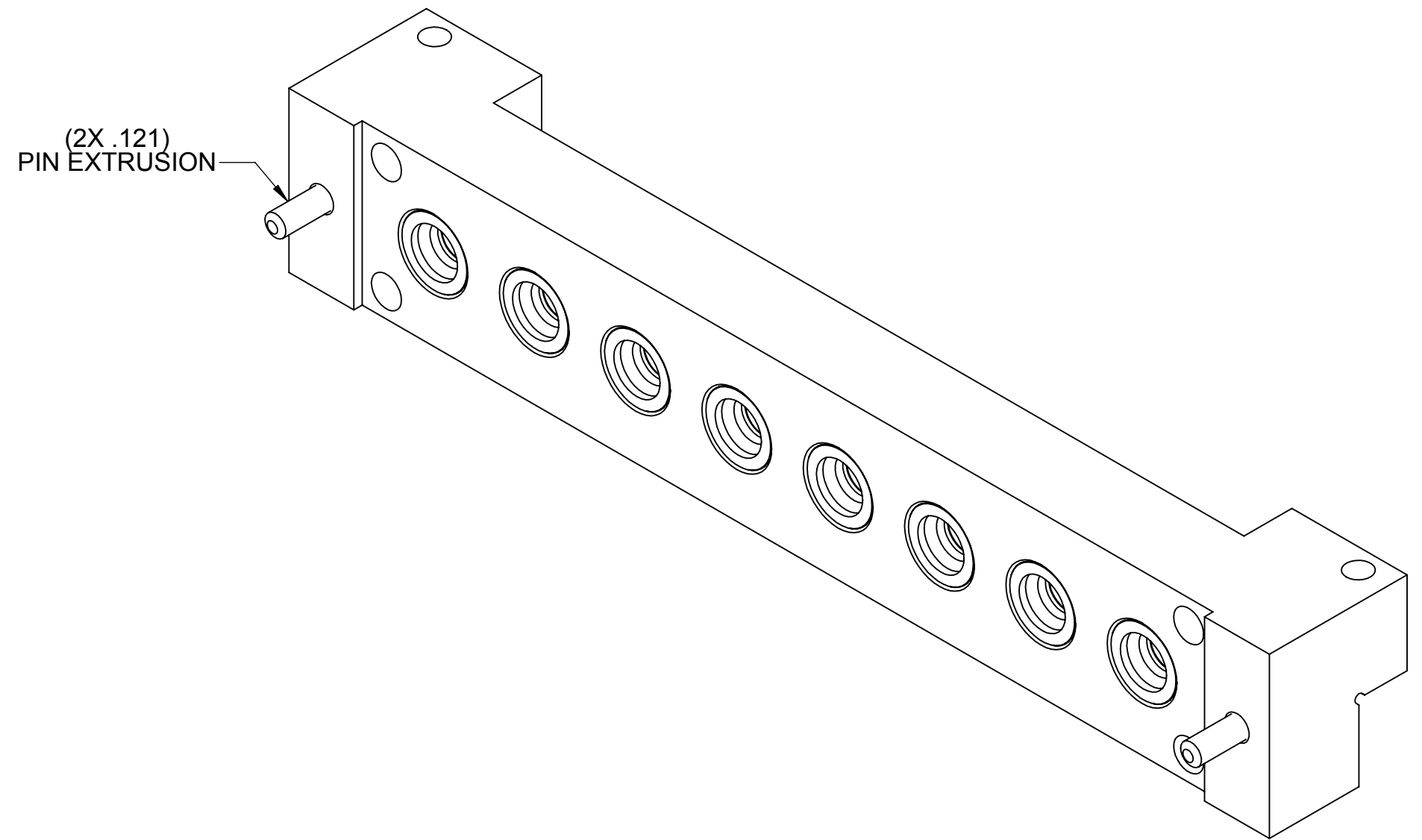
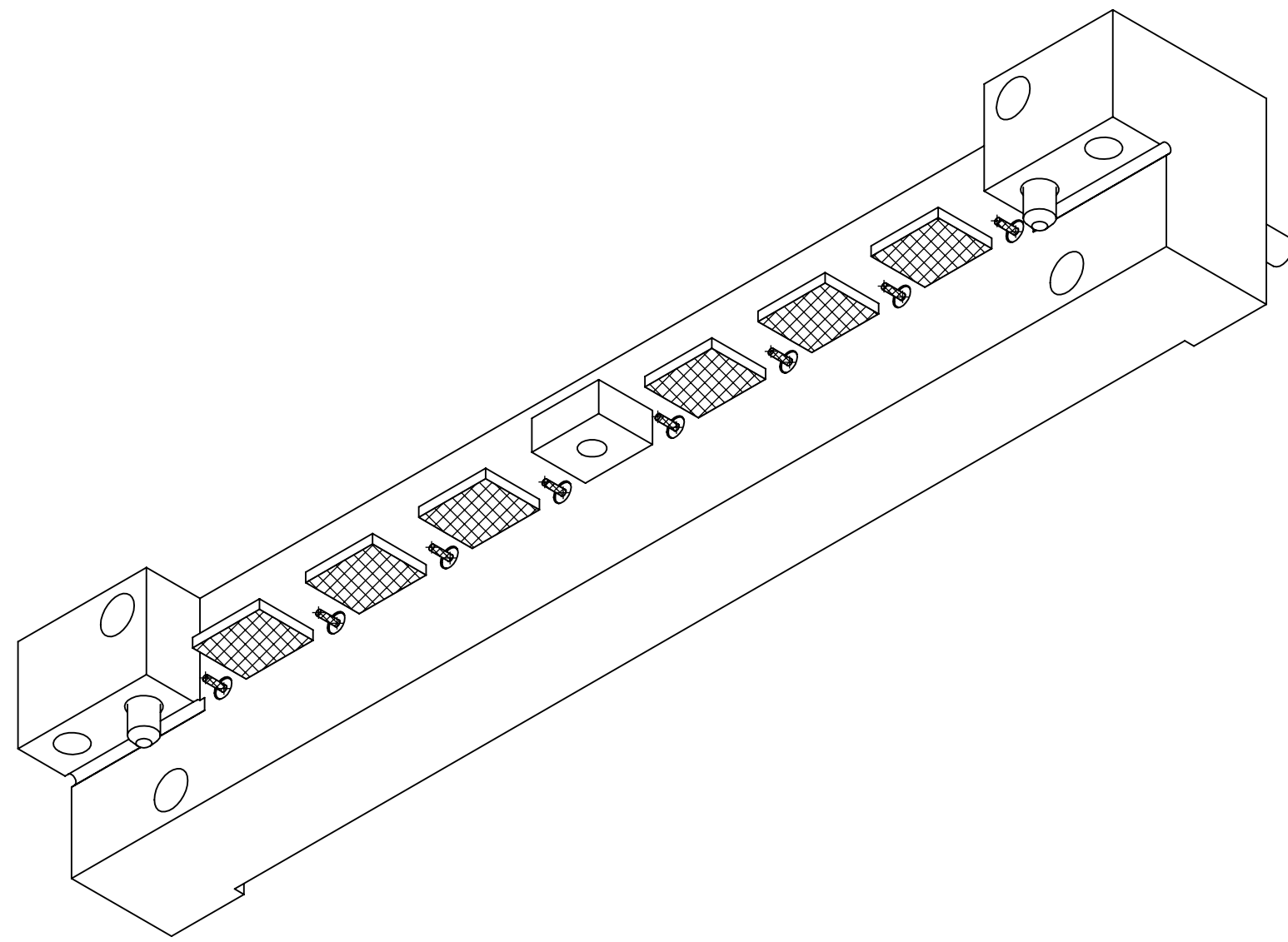
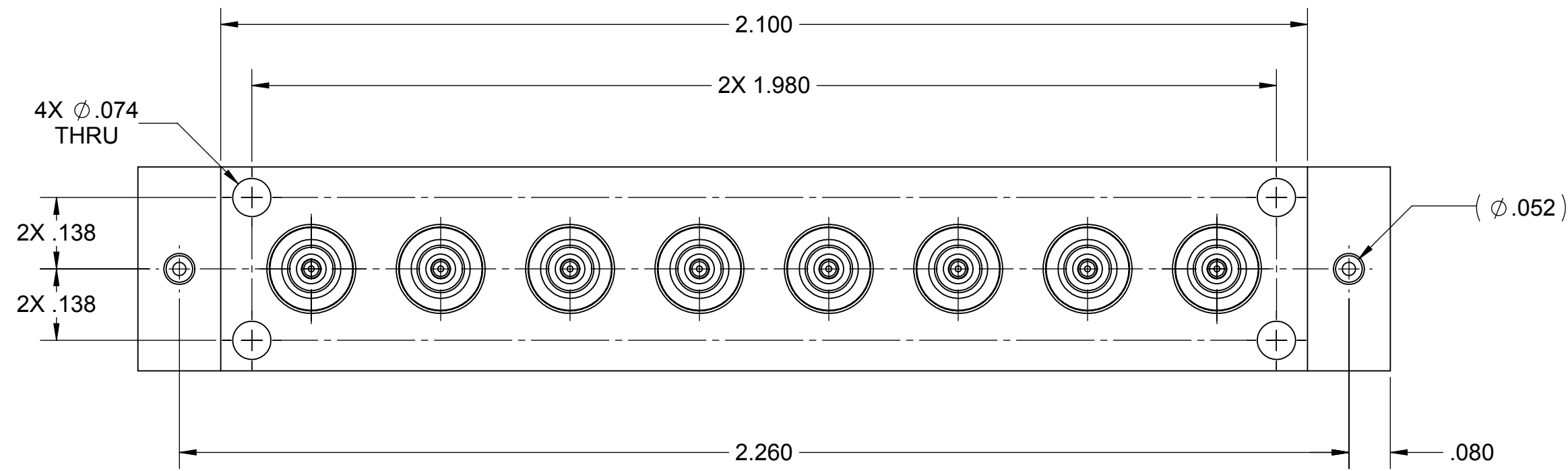
DIMENSIONS ARE IN INCHES	
TOLERANCES:	
ANGULAR:	±1°
ONE PLACE DECIMAL:	±.030
TWO PLACE DECIMAL:	±.010
THREE PLACE DECIMAL:	±.005
INTERPRET DIMENSIONS AND TOLERANCES PER ASME Y14.5M - 1994	
THIRD ANGLE PROJECTION	

UNLESS OTHERWISE SPECIFIED:	
<ol style="list-style-type: none"> ALL DIMENSIONS ARE AFTER PLATING. BREAK CORNERS & EDGES R.005 MAX. CHAMFER 1ST AND LAST THREAD. SURFACE ROUGHNESS 63 PER MIL-STD-10. DIA'S ON COMMON CENTERS TO BE CONCENTRIC WITHIN .005 T.I.R. REMOVE ALL BURRS. 	
DRAWN:	MAL 06/22/16
CHECKED:	STW 06/22/16
APPROVED:	STW 06/22/16
E.M. SIMULATION:	

SV Microwave, Inc. 2400 Centrepark West Drive, Suite 100 West Palm Beach, FL 33409		
TITLE: SMPM FD MALE 8-PORT EDGE LAUNCH		
SIZE C	CAGE CODE 95077	DWG. NO. 3211-60181-TD
SCALE: 4:1		SHEET 1 OF 2

PRODUCT DATA DRAWING

REVISION HISTORY			
REV.	DESCRIPTION	DATE	APPROVED
	SEE SHEET 1		



MATERIAL:	SEE NOTES
FINISH:	SEE NOTES
DO NOT SCALE DRAWING	
PROPRIETARY	
<small>THE INFORMATION CONTAINED IN THIS DRAWING IS THE SOLE PROPERTY OF SV MICROWAVE, INC. ANY REPRODUCTION IN PART OR AS A WHOLE WITHOUT THE WRITTEN PERMISSION OF SV MICROWAVE, INC. IS PROHIBITED.</small>	

DIMENSIONS ARE IN INCHES	
TOLERANCES:	
ANGULAR:	±1°
ONE PLACE DECIMAL	±.030
TWO PLACE DECIMAL	±.010
THREE PLACE DECIMAL	±.005
INTERPRET DIMENSIONS AND TOLERANCES PER ASME Y14.5M - 1994	
THIRD ANGLE PROJECTION	

UNLESS OTHERWISE SPECIFIED:	
<ol style="list-style-type: none"> ALL DIMENSIONS ARE AFTER PLATING. BREAK CORNERS & EDGES R.005 MAX. CHAMFER 1ST AND LAST THREAD. SURFACE ROUGHNESS 63 PER MIL-STD-10. DIA'S ON COMMON CENTERS TO BE CONCENTRIC WITHIN .005 T.I.R. REMOVE ALL BURRS. 	
DRAWN:	MAL 06/22/16
CHECKED:	STW 06/22/16
APPROVED:	STW 06/22/16
E.M. SIMULATION:	

SV Microwave, Inc. [®]			
<small>2400 Centrepark West Drive, Suite 100 West Palm Beach, FL 33409</small>			
TITLE: SMPM FD MALE 8-PORT EDGE LAUNCH			
SIZE	CAGE CODE	DWG. NO. 3211-60181-TD	
C	95077	SCALE: 4:1	SHEET 2 OF 2