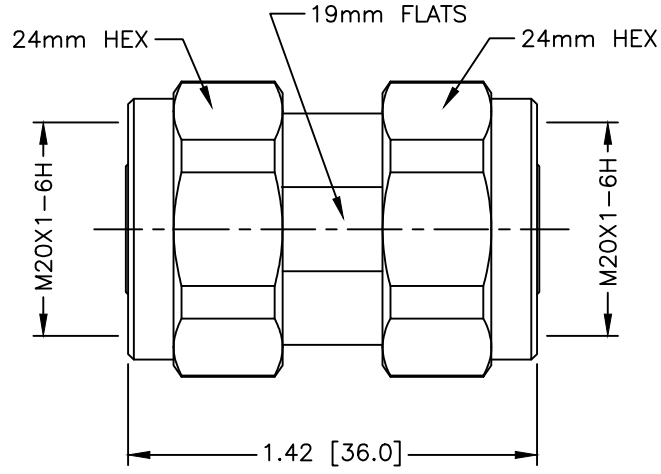


PART NO.		RFD-4195-1951		
REV	DESCRIPTION	DWN	DATE	APPROVED
-	ENGINEERING RELEASE	CZS	04/04/18	JDMc



SPECIFICATIONS:

IMPEDANCE: 50Ω
 FREQUENCY RANGE: 0-3 GHz
 VSWR: ≤1.08
 3RD INTERMODULATION: ≤-155 dBc @ 700 MHz
 INSULATION RESISTANCE: 5000 MΩ
 DIELECTRIC WITHSTANDING VOLTAGE: ≥2500 VRMS,
 50Hz, @ SEA LEVEL
 DURABILITY: 500 MATING CYCLES
 TEMPERATURE RANGE: -40°C TO 85°C

5	SHELL	2	BRASS	WHITE BRONZE
4	O-RING	2	RUBBER	---
3	CONTACT	1	BRASS	SILVER
2	INSULATOR	1	PTFE	---
1	BODY	1	BRASS	WHITE BRONZE
#	DESCRIPTION	QTY	MATERIAL	FINISH

CUSTOMER OUTLINE DRAWING	
ALL DIMENSIONS ARE REFERENCE ONLY	
UNLESS OTHERWISE SPECIFIED: DIMENSIONS ARE IN INCHES AND [MILLIMETERS]	
DRAWN C. ZUNIGA	04/04/18
CHECKED	
ORJ DRAWN C. ZUNIGA	04/04/18

RoHS COMPLIANT

PROPRIETARY AND CONFIDENTIAL

THIS DRAWING CONTAINS INFORMATION PROPRIETARY TO RF INDUSTRIES. ANY UNAUTHORIZED USE OF THIS DRAWING IS EXPRESSLY PROHIBITED WITHOUT WRITTEN PERMISSION FROM RF INDUSTRIES. ANY VIOLATION IS PUNISHABLE UNDER U.S. COPYRIGHT LAWS.

RFconnectors 7610 MIRAMAR RD. SAN DIEGO, CA 92126 (858) 549-6340 DIVISION OF RF INDUSTRIES, LTD. (858) 549-6345 FAX

4.1-9.5 PLUG BARREL ADAPTER

SIZE A	CABLE GROUP N/A	DWG NO. RFD-4195-1951	REV ---
SCALE: NTS	ENGINEERING ID: 000000	SHEET 1 OF 1	