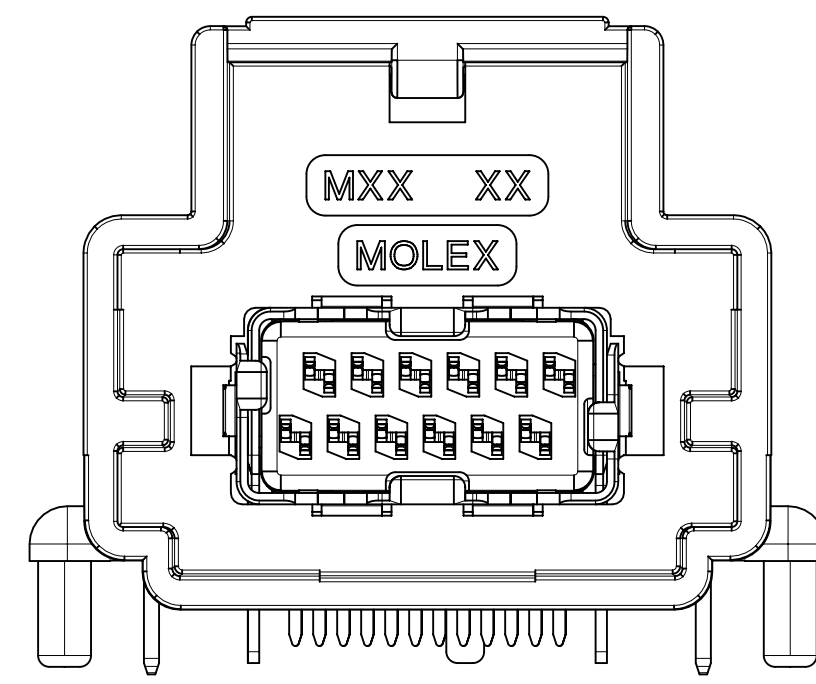


34861-1406
 34861-1206 (SI INSERTS) *NOT QUALIFIED*
 34861-1306 (2 SHIELD TABS)
 34861-2106 (SMT) *NOT QUALIFIED*
 34861-7009 (TERMINAL AND INSERTS CHANGE)
 (2 SHIELD TAB)
 34861-8009 SMT VERSION WITH HS INSERTS
 (NO SHIELD TABS)
 34861-9009 (TERMINAL AND INSERTS CHANGE)
 (2 SHIELD TAB)

KEY OPTION 'A'

COLOR: BLACK

SALEABLE

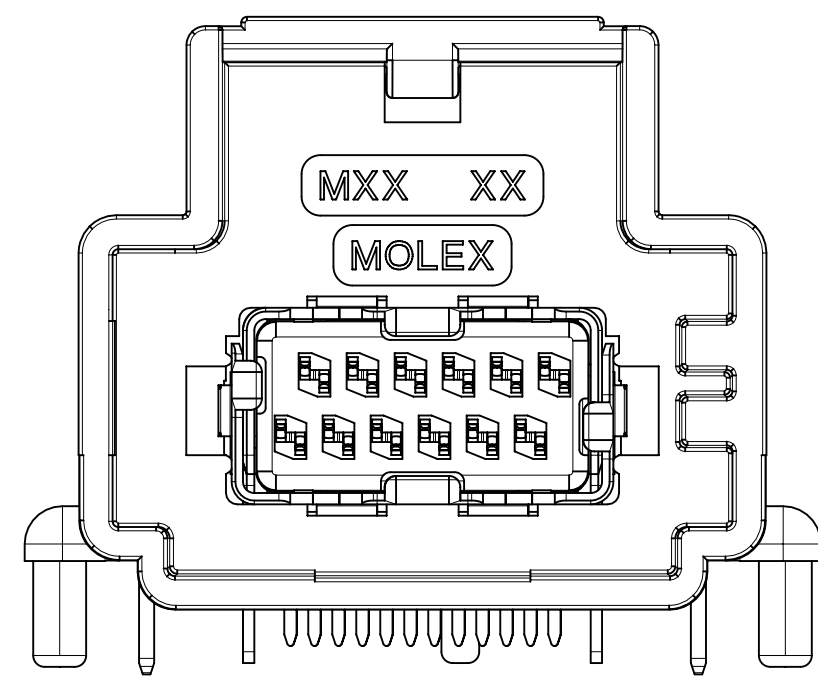


34861-1416
 34861-1216 (SI INSERTS) *NOT QUALIFIED*
 34861-1316 (2 SHIELD TABS)
 34861-2116 (SMT) *NOT QUALIFIED*
 34861-7019 (TERMINAL AND INSERTS CHANGE)
 (2 SHIELD TAB)
 34861-8019 SMT VERSION WITH HS INSERTS
 (NO SHIELD TABS)
 34861-9019 (TERMINAL AND INSERTS CHANGE)
 (2 SHIELD TAB)

KEY OPTION 'B'

COLOR: GRAY

SALEABLE

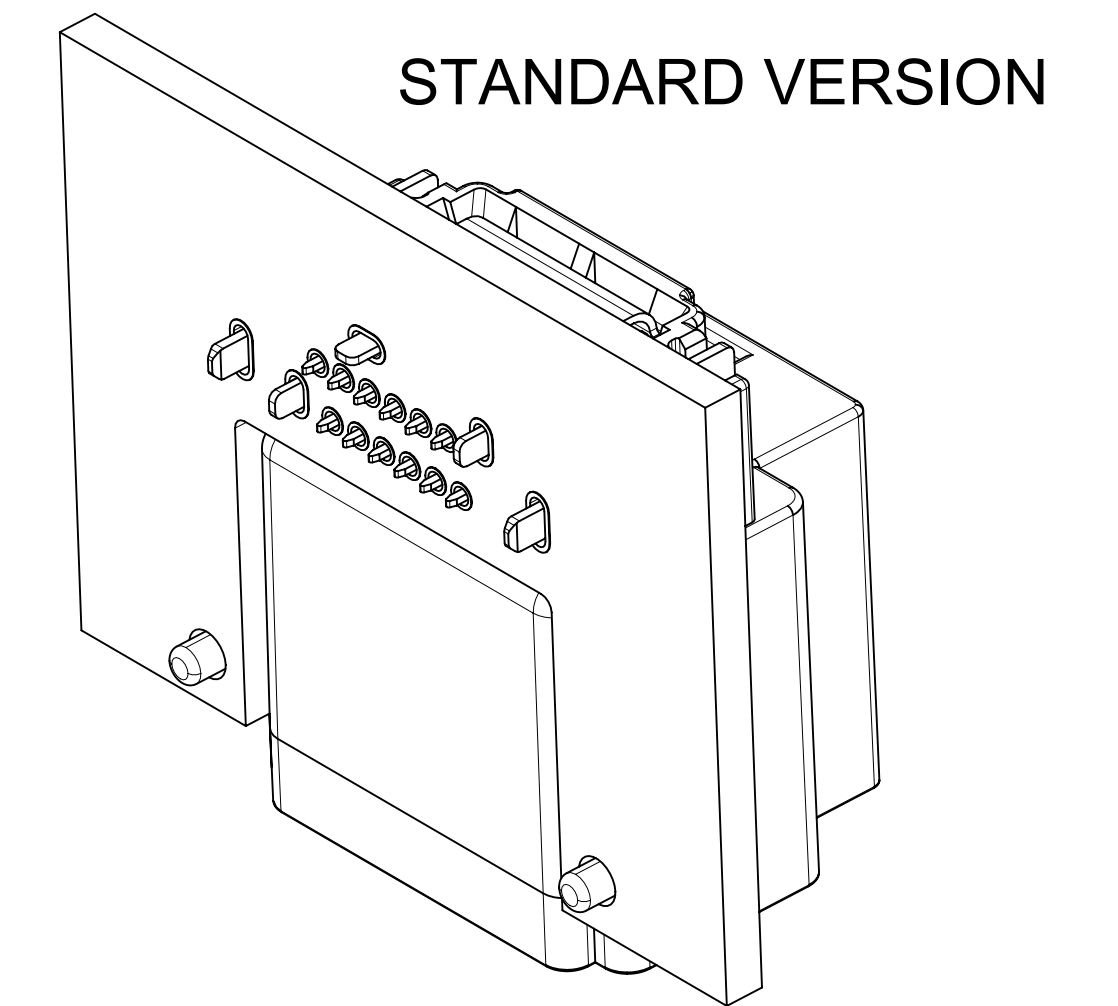
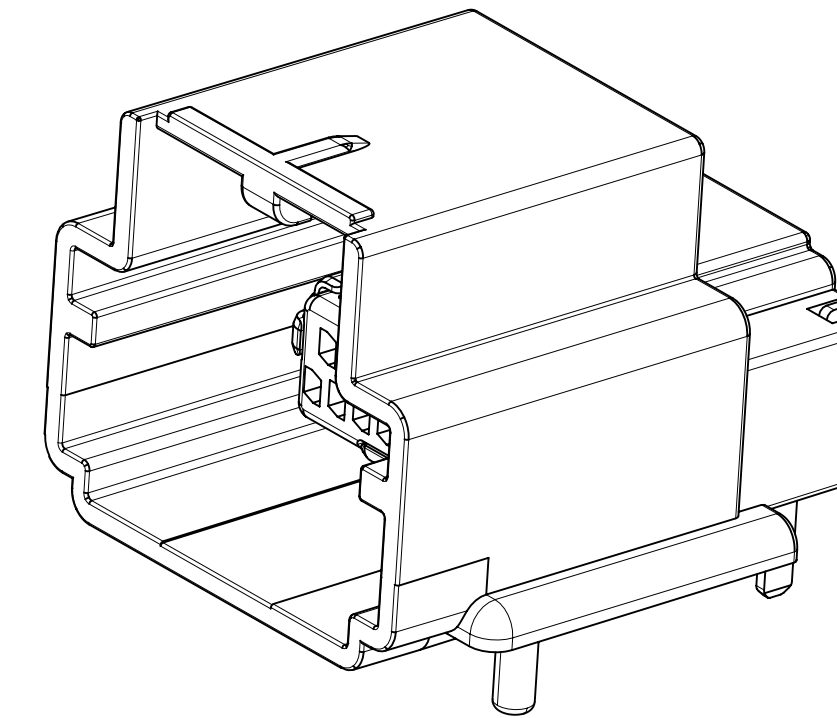


34861-1426
 34861-1226 (SI INSERTS) *NOT QUALIFIED*
 34861-1326 (2 SHIELD TABS)
 34861-2126 (SMT) *NOT QUALIFIED*
 34861-7029 (TERMINAL AND INSERTS CHANGE)
 (2 SHIELD TAB)
 34861-8029 SMT VERSION WITH HS INSERTS
 (NO SHIELD TABS)
 34861-9029 (TERMINAL AND INSERTS CHANGE)
 (2 SHIELD TAB)

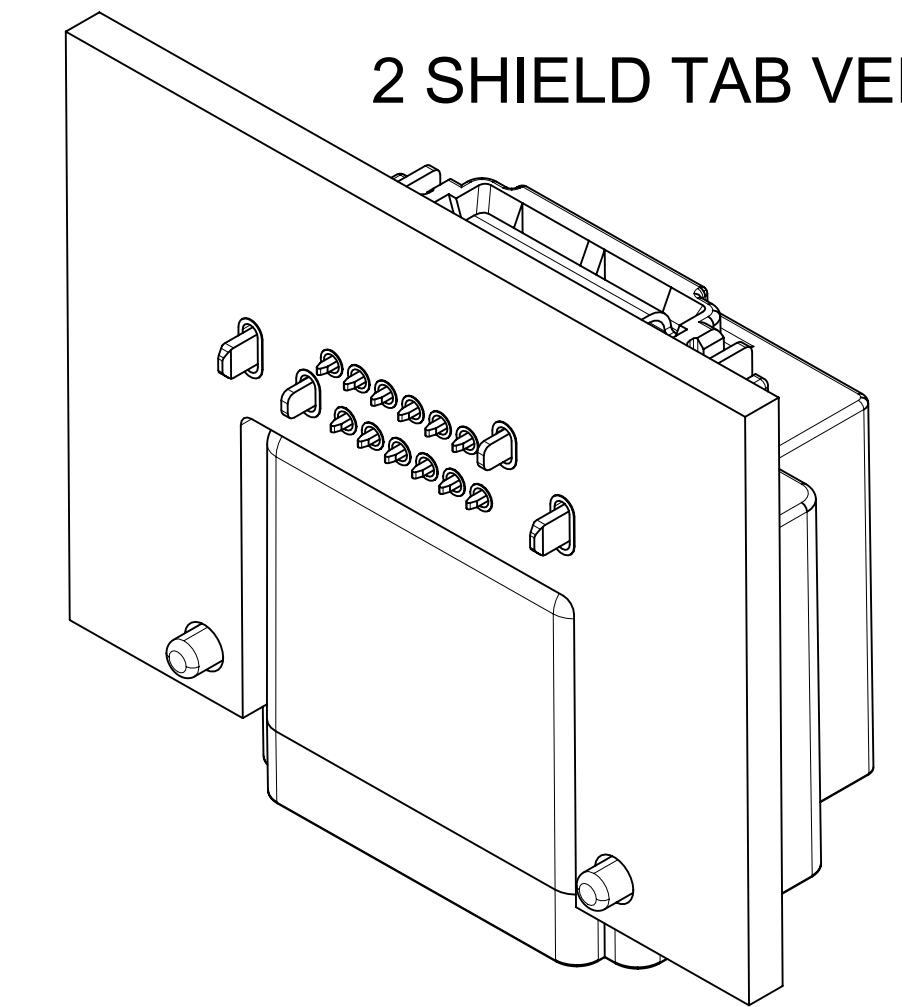
KEY OPTION 'C'

COLOR: BROWN

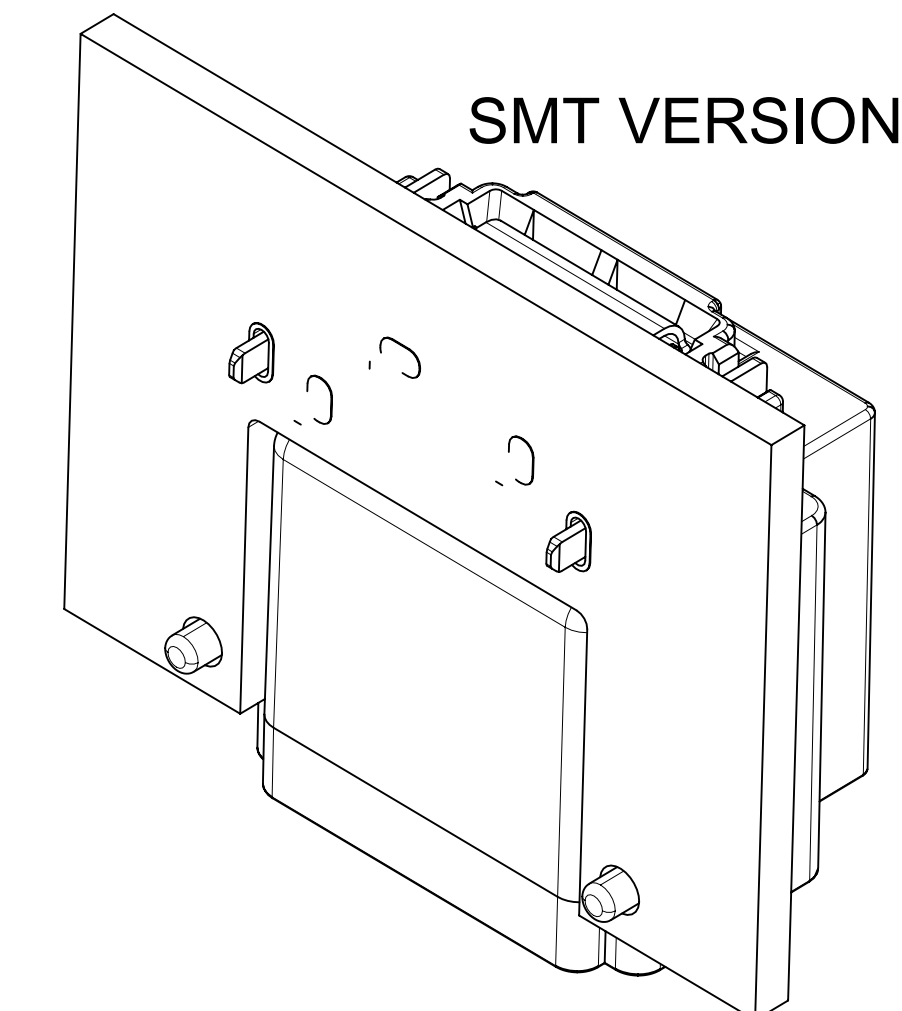
SALEABLE



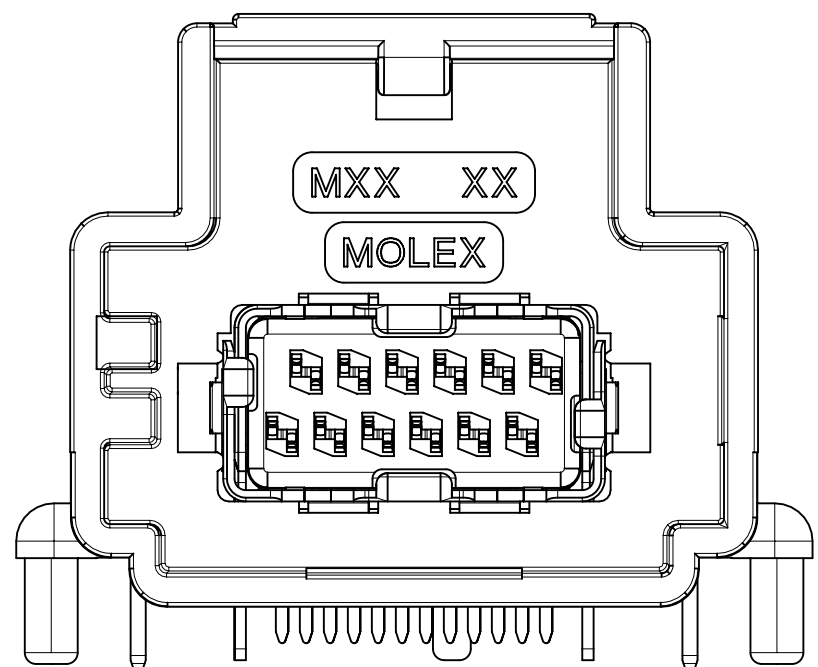
STANDARD VERSION



2 SHIELD TAB VERSION



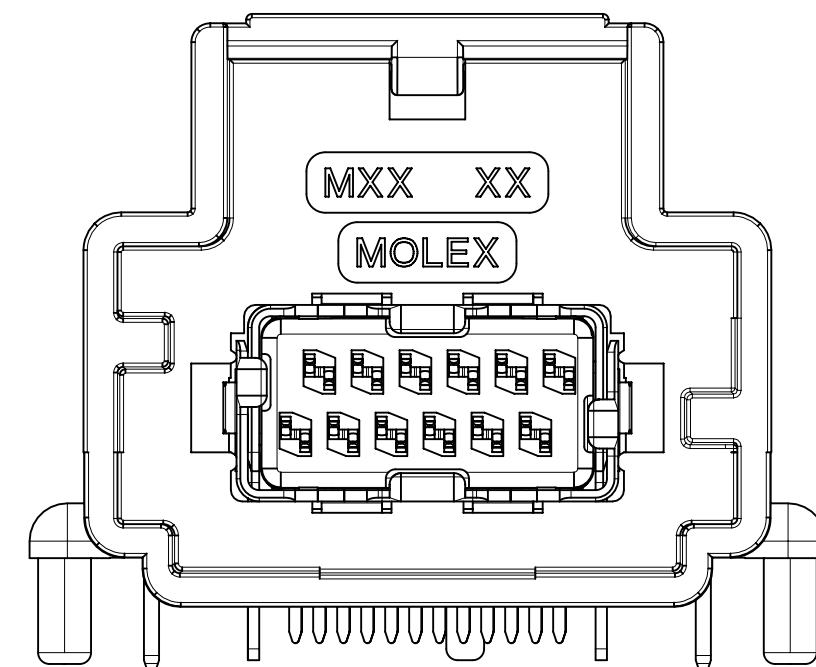
SMT VERSION



34861-1436
 34861-1236 (SI INSERTS) *NOT QUALIFIED*
 34861-1336 (2 SHIELD TABS)
 34861-2136 (SMT) *NOT QUALIFIED*
 34861-8039 SMT VERSION WITH HS INSERTS
 (NO SHIELD TABS)
 34861-9039 (TERMINAL AND INSERTS CHANGE)
 (2 SHIELD TAB) *NOT QUALIFIED*

KEY OPTION 'D'

COLOR: GREEN
 OK TO TOOL

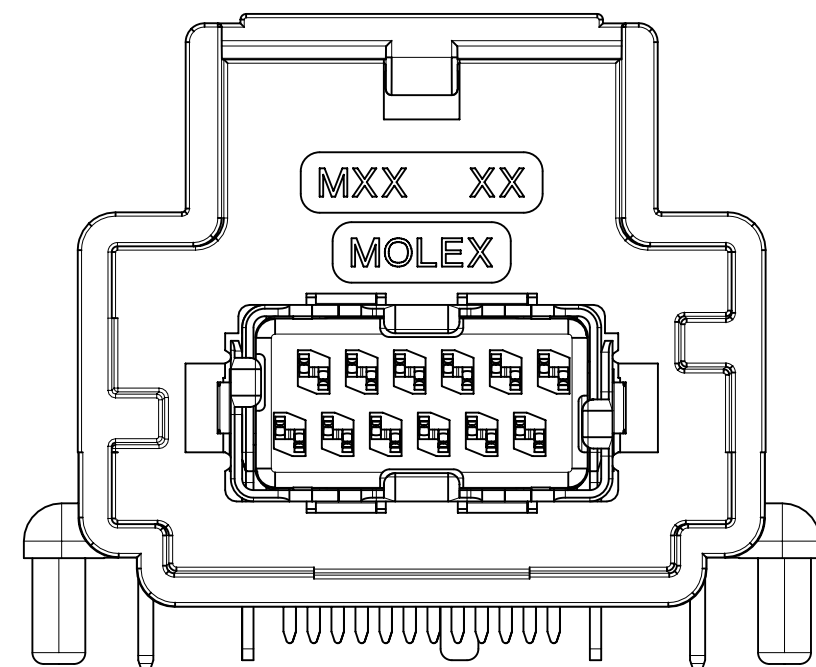


34861-1446
 34861-1246 (SI INSERTS) *NOT QUALIFIED*
 34861-1346 (2 SHIELD TABS)
 34861-2146 (SMT) *NOT QUALIFIED*
 34861-9049 (TERMINAL AND INSERTS CHANGE)
 (2 SHIELD TAB) *NOT QUALIFIED*

KEY OPTION 'E'

COLOR: BLUE

OK TO TOOL



34861-1456
 34861-1256 (SI INSERTS) *NOT QUALIFIED*
 34861-1356 (2 SHIELD TABS)
 34861-2156 (SMT) *NOT QUALIFIED*
 34861-9059 (TERMINAL AND INSERTS CHANGE)
 (2 SHIELD TAB)

KEY OPTION 'F'

COLOR: NATURAL

SALEABLE

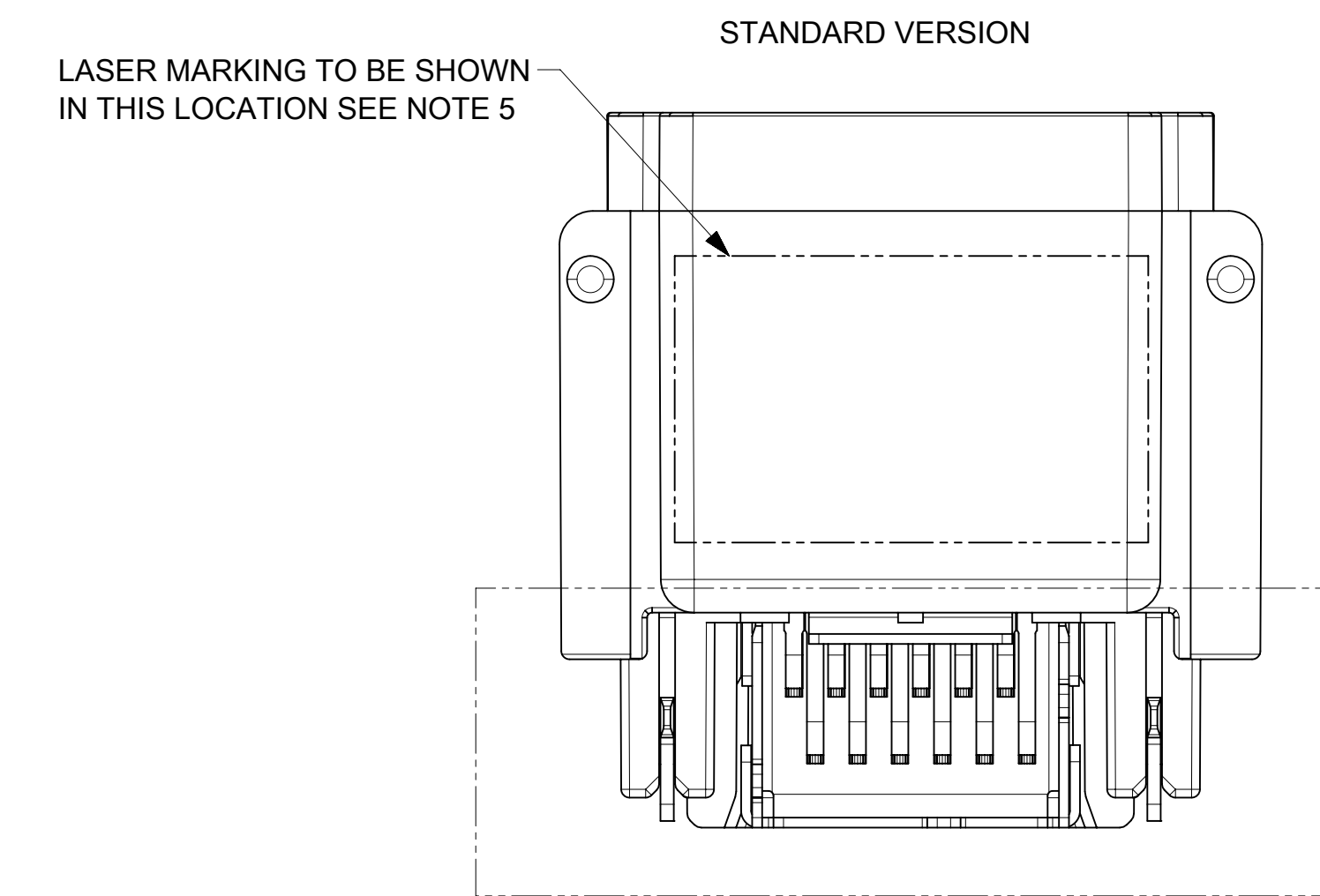
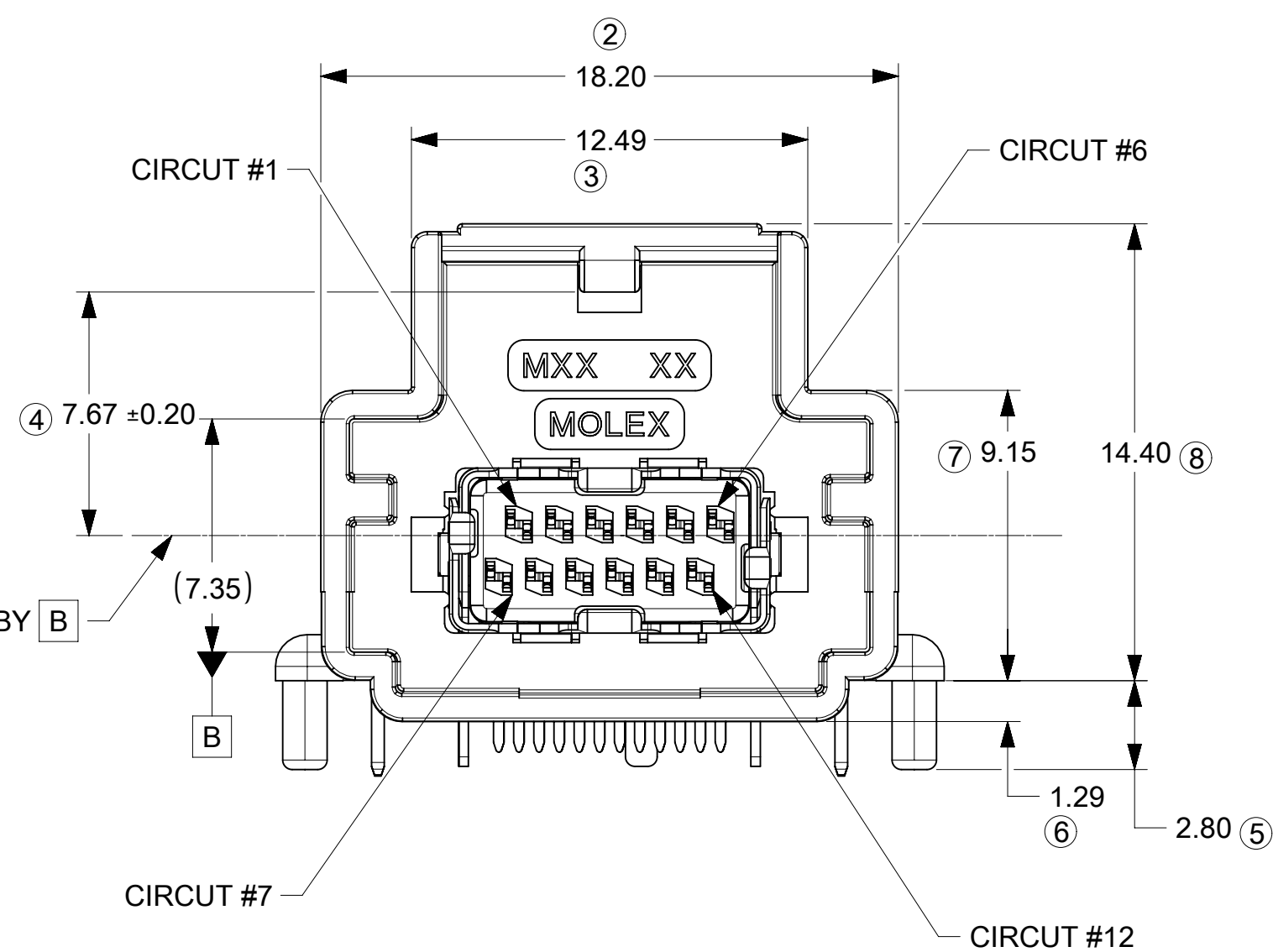
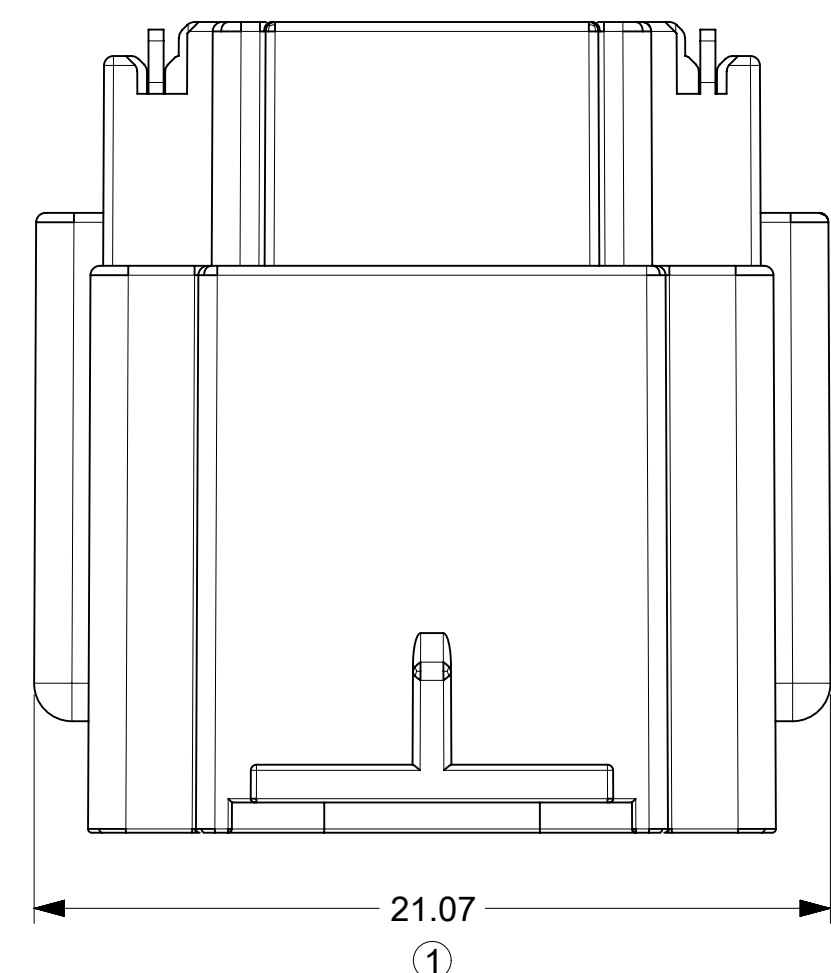
NOTES: VALID UNLESS OTHERWISE SPECIFIED

- MATERIALS:
 HEADER HOUSING: SPS, 30%GF
 TERMINALS - COPPER ALLOY
 OVERMOLDING - LCP, 30%GF
 BISCUIT - SPS, 30%GF
 SHIELDS - COPPER ALLOY
- TERMINAL MATE-SIDE PLATING: SELECTIVE GOLD OVER NICKEL
 TERMINAL PCB SIDE PLATING: TIN OVER NICKEL
 SHIELDS PLATING - TIN OVER NICKEL
- MATING CONNECTOR MINIMUM CLEARANCE: AREA TO REMAIN CLEAR OF
 MODULE COMPONENTS, ADHESIVE, DEBRIS, ETC.
- PCB TO BE FR4 0.062" (1.57mm) THICK
- LASER MARKING TO BE MARKED WITH:
 HUMAN READABLE CODE (HRC)
 -PERMANENTLY APPLIED ON THE PART WITH 1.5mm LETTER SIZE
 -INFORMATION TO BE PRINTED
 5 DIGIT JULIAN MANUFACTURING DATE STAMP YYDDD

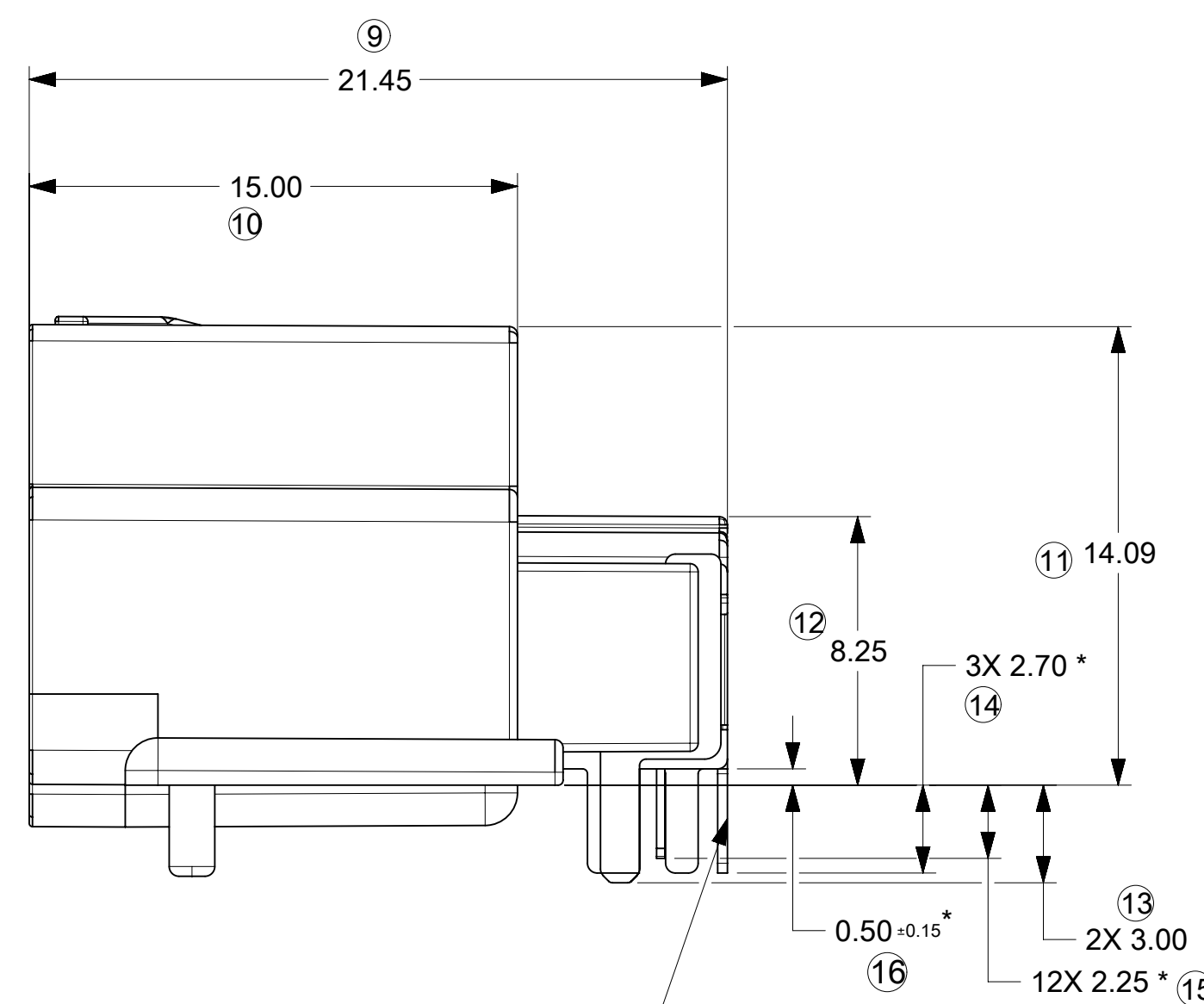
REV	DESCRIPTION	ENGINEER	DATE
C10	REMOVED "NOT QUALIFIED" FROM 80X9 SERIES. REMOVED "NOT QUALIFIED" FROM SHEET 4. SHEET-4 SMT PCB LAYOUT DIMENSIONS UPDATED. BALLOON NUMBER 17 UPDATED	PRAVEEN	28OCT2022
C9	NOTES ADDED ON SHEET 2 & 4 AND BALLOON NUMBER 17 UPDATED. FOR 34861-90(09, 19, 29, 39, 49, 59) NOT QUALIFIED REMOVED.	PRAVEEN	06JUNE2022
C8	BALLOON NUMBER 17 UPDATED	PRAVEEN	28OCT2021
C7	ADDED PART NUMBER 34861-9009-9059, SHEET 4 DIMENSION UPDATED.	PRAVEEN	10OCT2021
C6	ADDED PART NUMBER 34861-8009/8019/8029 ADDED DIM 16	MSUBHASH	15JULY2021
C4	UPDATED PCB LAYOUT - PIN HOLE DIA	SUDAYGUNAGI	01JULY2020

DOCUMENT STATUS	P1	RELEASE DATE	2023/02/13	17:28:49
-----------------	----	--------------	------------	----------

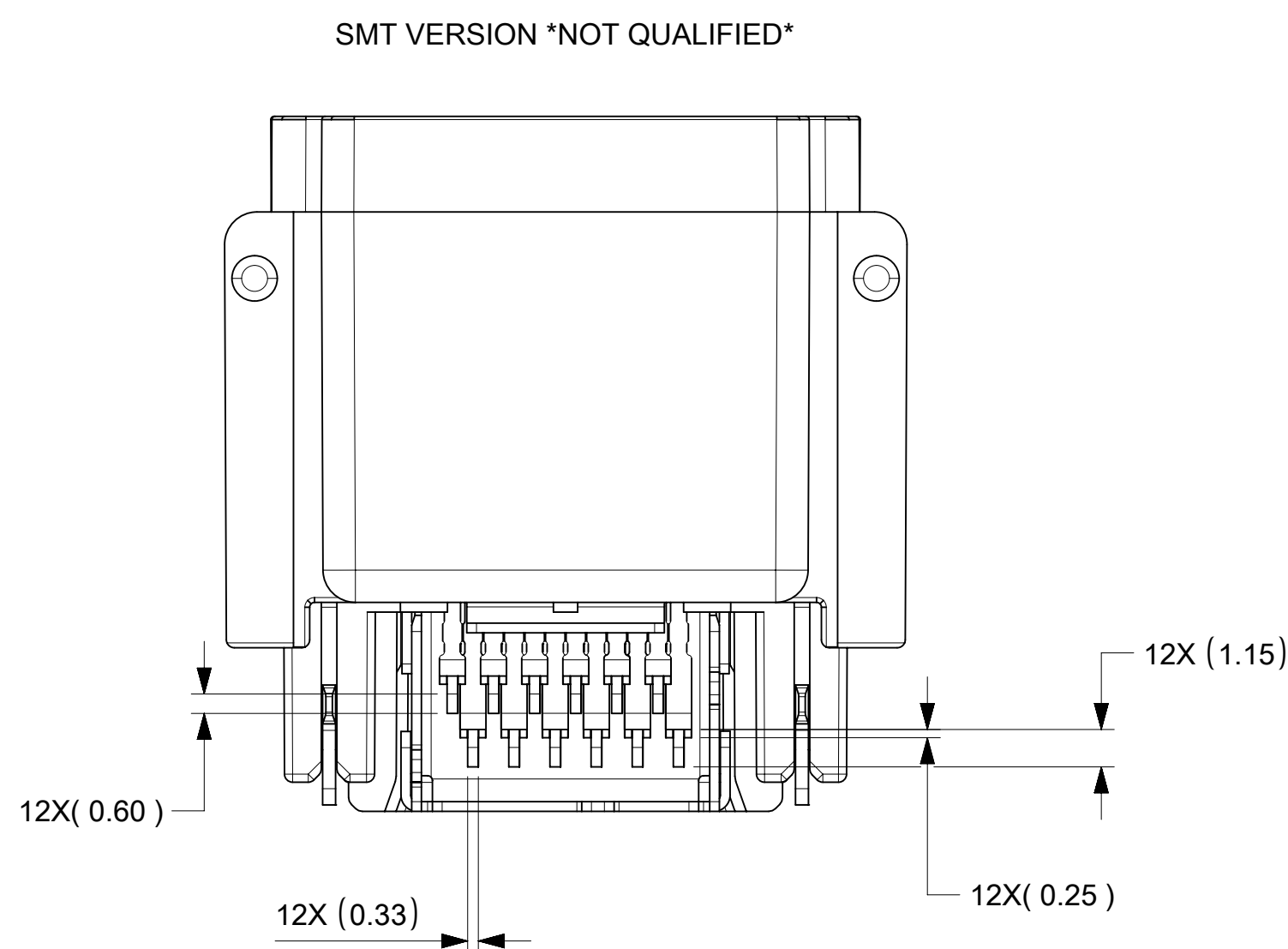
THIS DRAWING CONTAINS INFORMATION THAT IS PROPRIETARY TO MOLEX ELECTRONIC TECHNOLOGIES, LLC AND SHOULD NOT BE USED WITHOUT WRITTEN PERMISSION									
DIMENSION UNITS	SCALE	CURRENT REV DESC:							
mm	5:1								
GENERAL TOLERANCES (UNLESS SPECIFIED)									
ANGULAR TOL	± °								
4 PLACES	±								
3 PLACES	±								
2 PLACES	± 0.2								
1 PLACE	±								
0 PLACES	±								
DRAFT WHERE APPLICABLE MUST REMAIN WITHIN DIMENSIONS		THIRD ANGLE PROJECTION	DRAWING	SERIES					
			D-SIZE	34861					
		MATERIAL NUMBER			CUSTOMER		SHEET NUMBER		
		SEE CHART			GENERAL MARKET		1 OF 4		
		EC NO: 737480		2022/10/28					
		DRWN: PRAVEC2		2023/02/13					
		CHK'D: ADUTTMN		2023/02/13					
		APPR: ADUTTMN		2023/02/13					
		INITIAL REVISION:		2018/06/25		12CKT HSALII RIGHT ANGLE HEADER HEADER ASSEMBLY			
		DRWN: XLHE14		2018/06/27		PRODUCT CUSTOMER DRAWING			
		APPR: DNAYLIS				DOCUMENT NUMBER: 348611406			
						DOC TYPE: PSD DOC PART: 000 REVISION: C10			



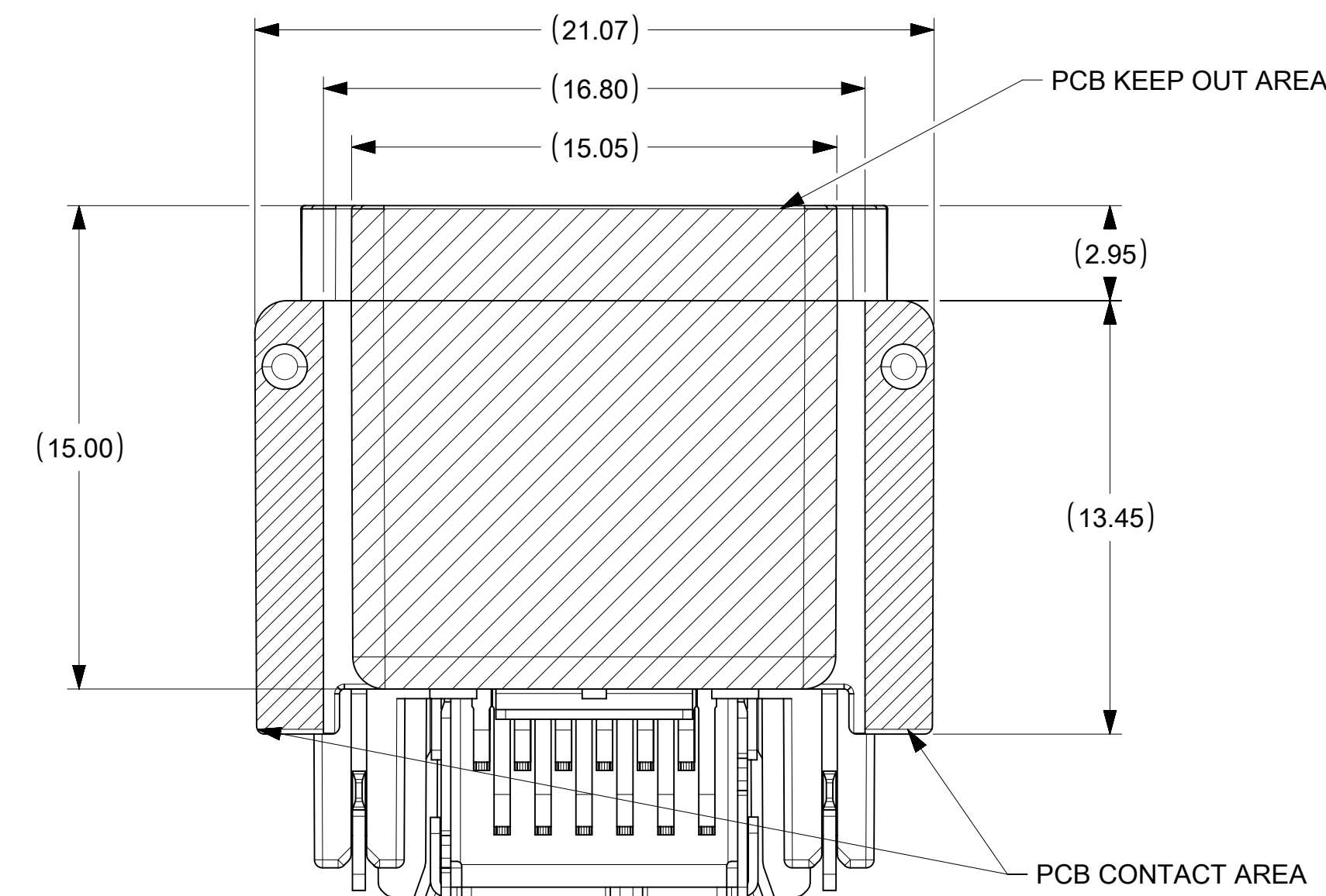
Note:-
* - Balloon Number 14, 15 & 16 is not applicable for 348618009, 8019, 8029, 8039, 8049.



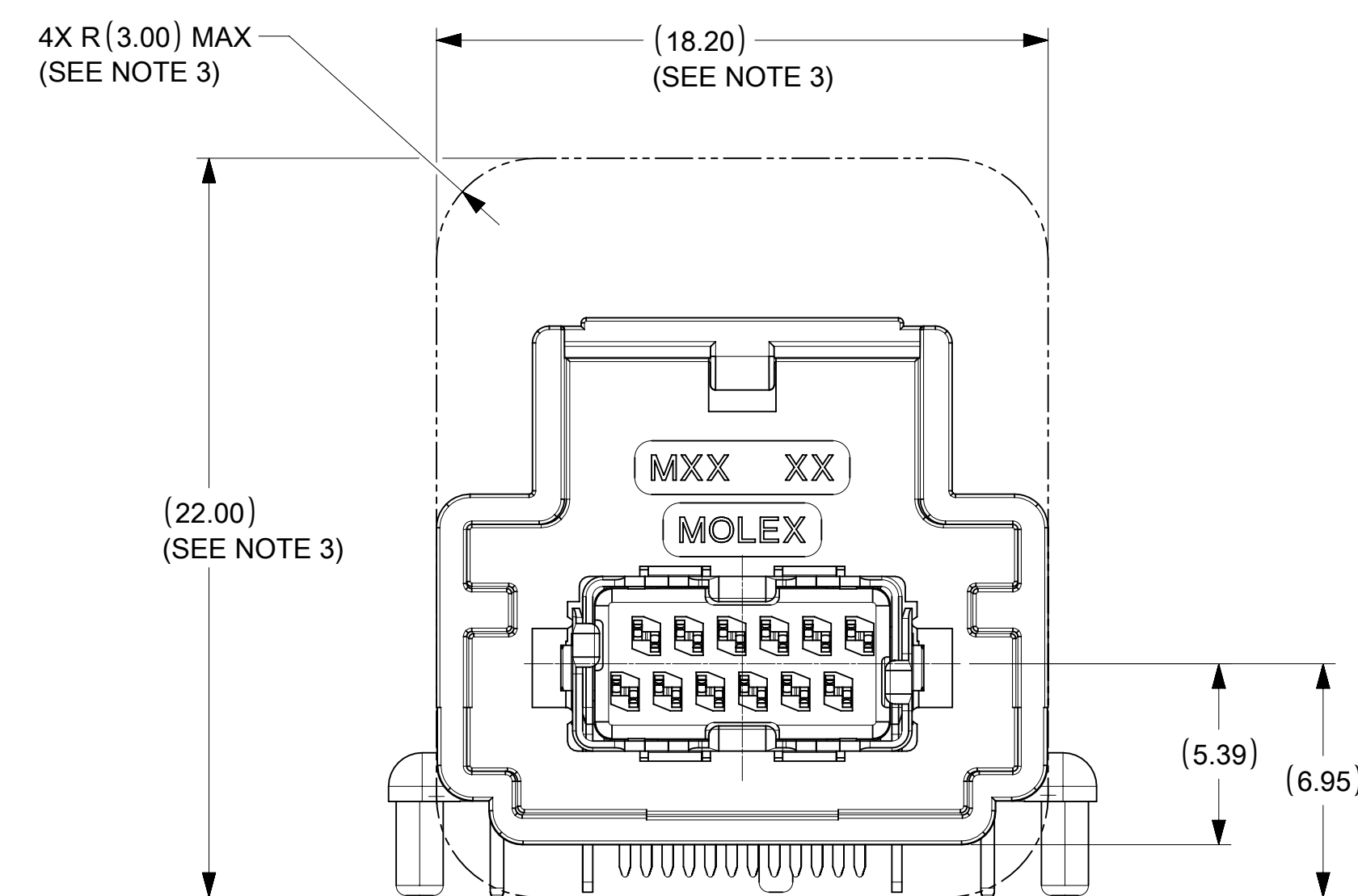
THIS SHIELD TAB IS REMOVED ON
PART NUMBERS 34861-1306, 34861-1316, 34861-1326
34861-7009, 34861-7019, 34861-7029
34861-7059



PCB CLEAROUT REGIONS



HEADER-TO-MODULE INTERFACE REQUIREMENTS



THIS DRAWING CONTAINS INFORMATION THAT IS PROPRIETARY TO MOLEX ELECTRONIC TECHNOLOGIES, LLC AND SHOULD NOT BE USED WITHOUT WRITTEN PERMISSION											
DIMENSION UNITS		SCALE		CURRENT REV DESC:							
mm		5:1									
GENERAL TOLERANCES (UNLESS SPECIFIED)											
ANGULAR TOL ± °											
4 PLACES ±				EC NO: 737480							
3 PLACES ±				DRWN: PRAVEC2 2022/10/28							
2 PLACES ± 0.2				CHK'D: ADUTTMN 2023/02/13							
1 PLACE ±				APPR: ADUTTMN 2023/02/13							
0 PLACES ±				INITIAL REVISION:							
				DRWN: XLHE14 2018/06/25							
				APPR: DNAYLIS 2018/06/27							
DRAFT WHERE APPLICABLE MUST REMAIN WITHIN DIMENSIONS		THIRD ANGLE PROJECTION		DRAWING		SERIES		MATERIAL NUMBER		CUSTOMER	
		D-SIZE		34861		SEE SHEET 1		GENERAL MARKET		SHEET NUMBER	
										2 OF 4	

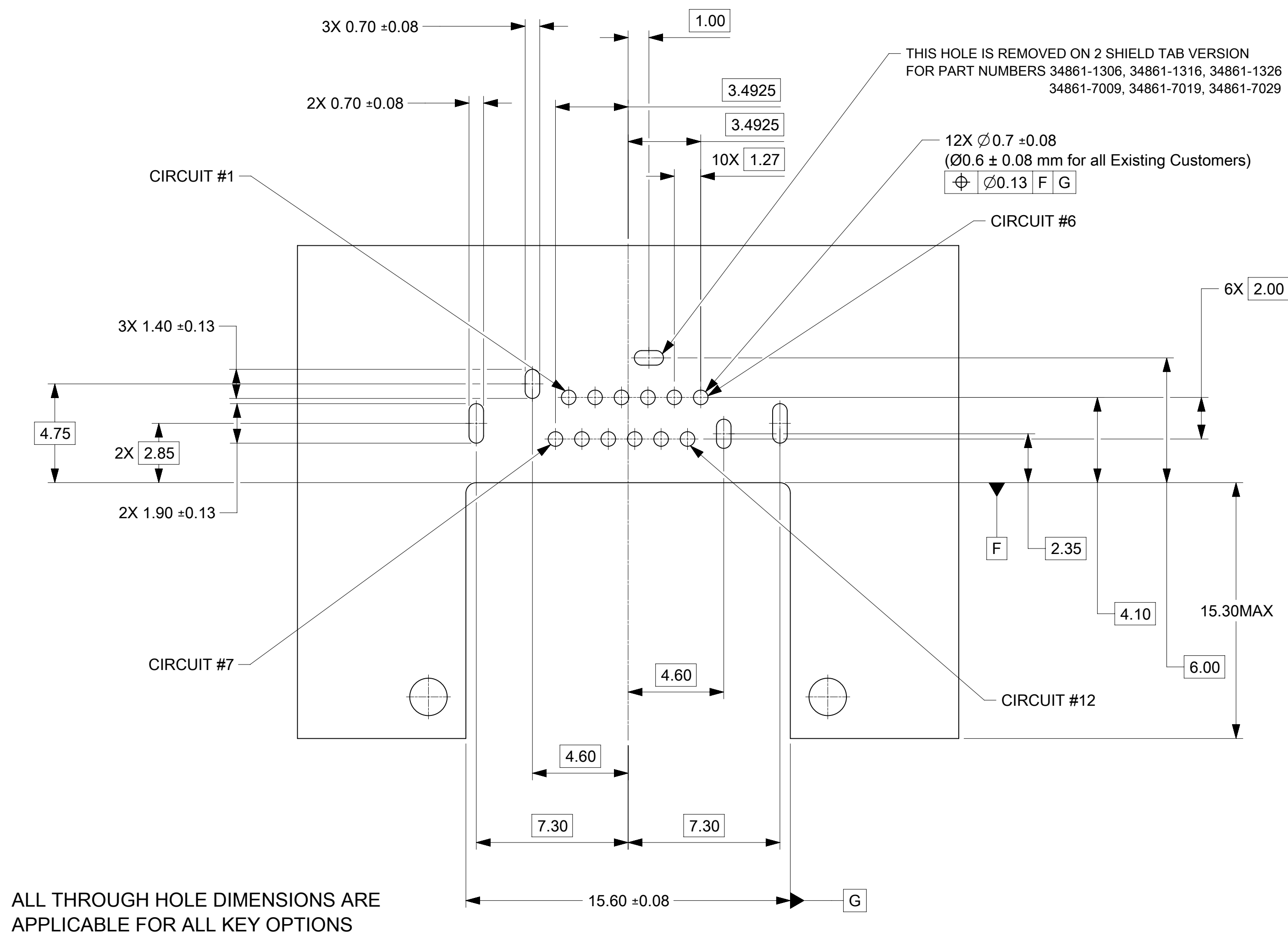
molex

12CKT HSALII RIGHT ANGLE HEADER
HEADER ASSEMBLY

PRODUCT CUSTOMER DRAWING

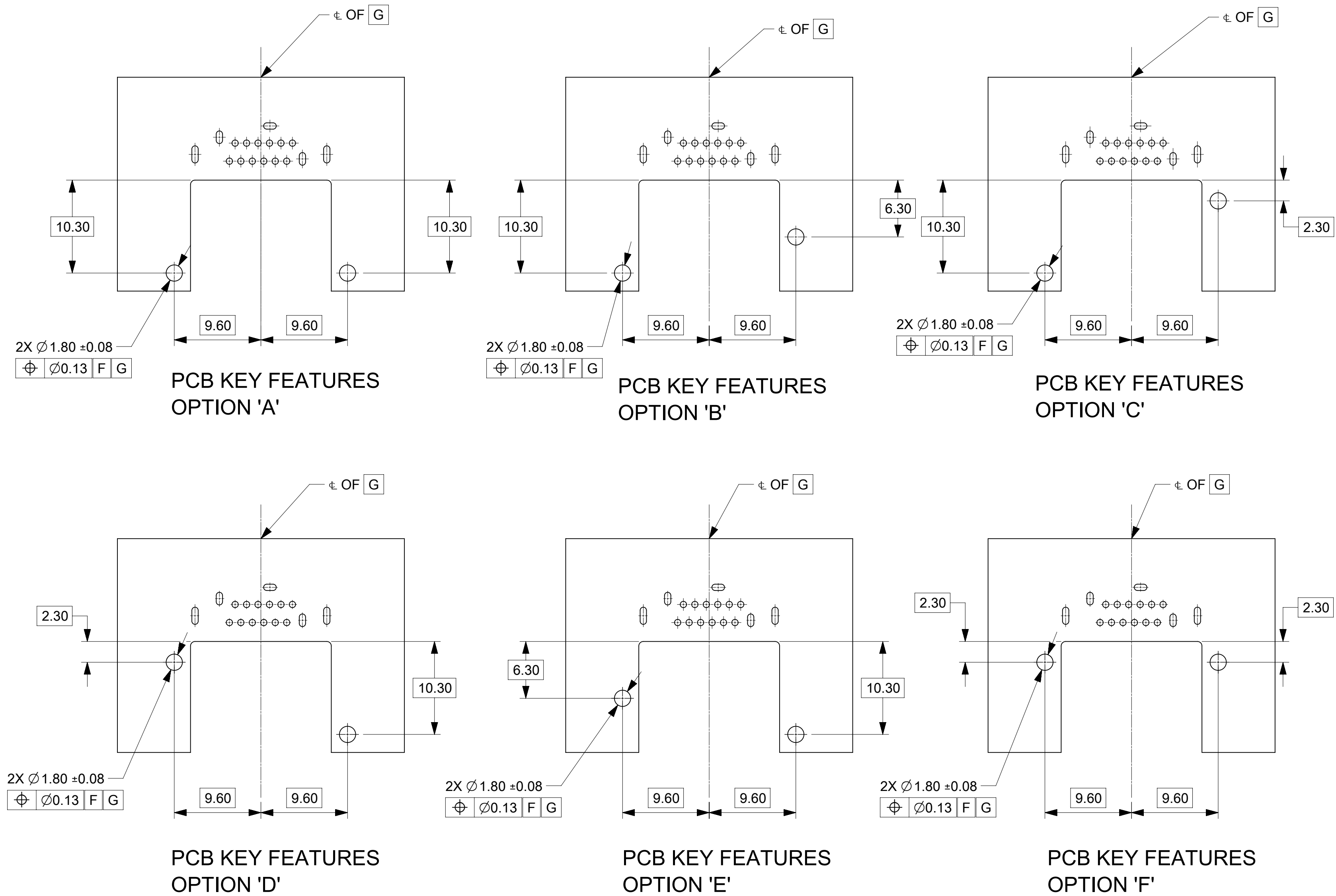
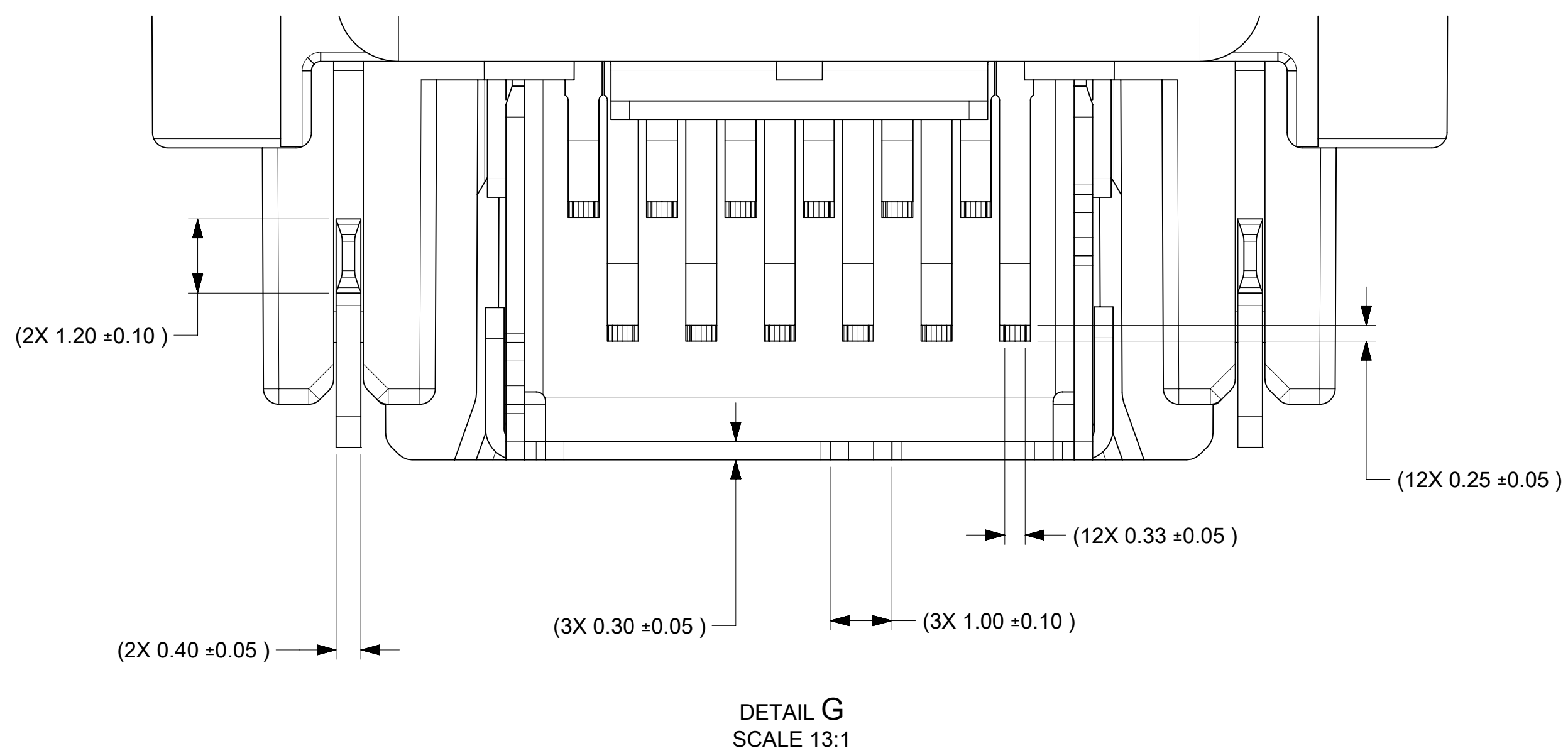
DOCUMENT NUMBER	DOC TYPE	DOC PART	REVISION
348611406	PSD	000	C10

RECOMMENDED PCB LAYOUT - HEADER SIDE PCB



ALL THROUGH HOLE DIMENSIONS ARE APPLICABLE FOR ALL KEY OPTIONS

SOLDER TAILS SIZE FOR REFERENCE ONLY

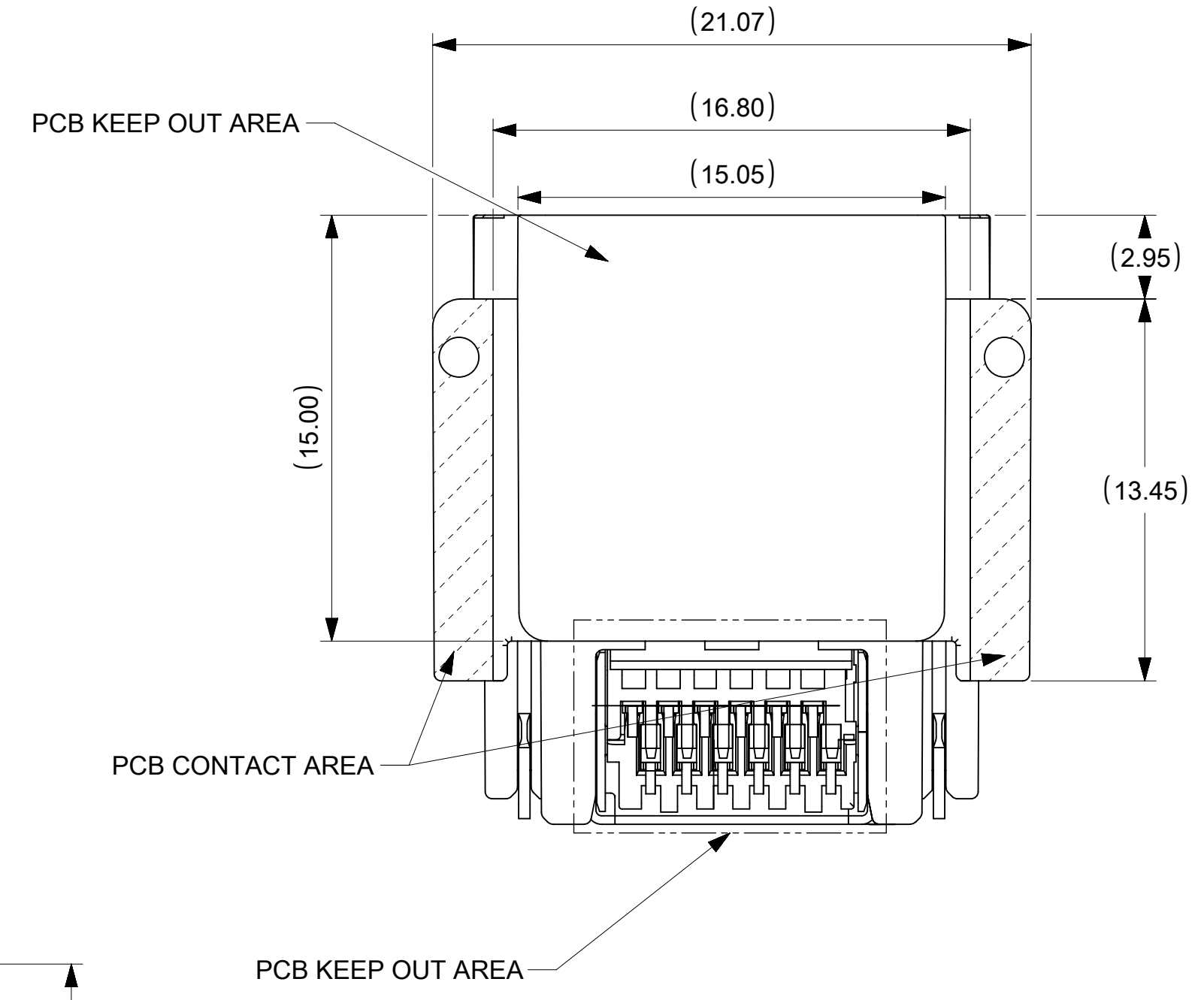
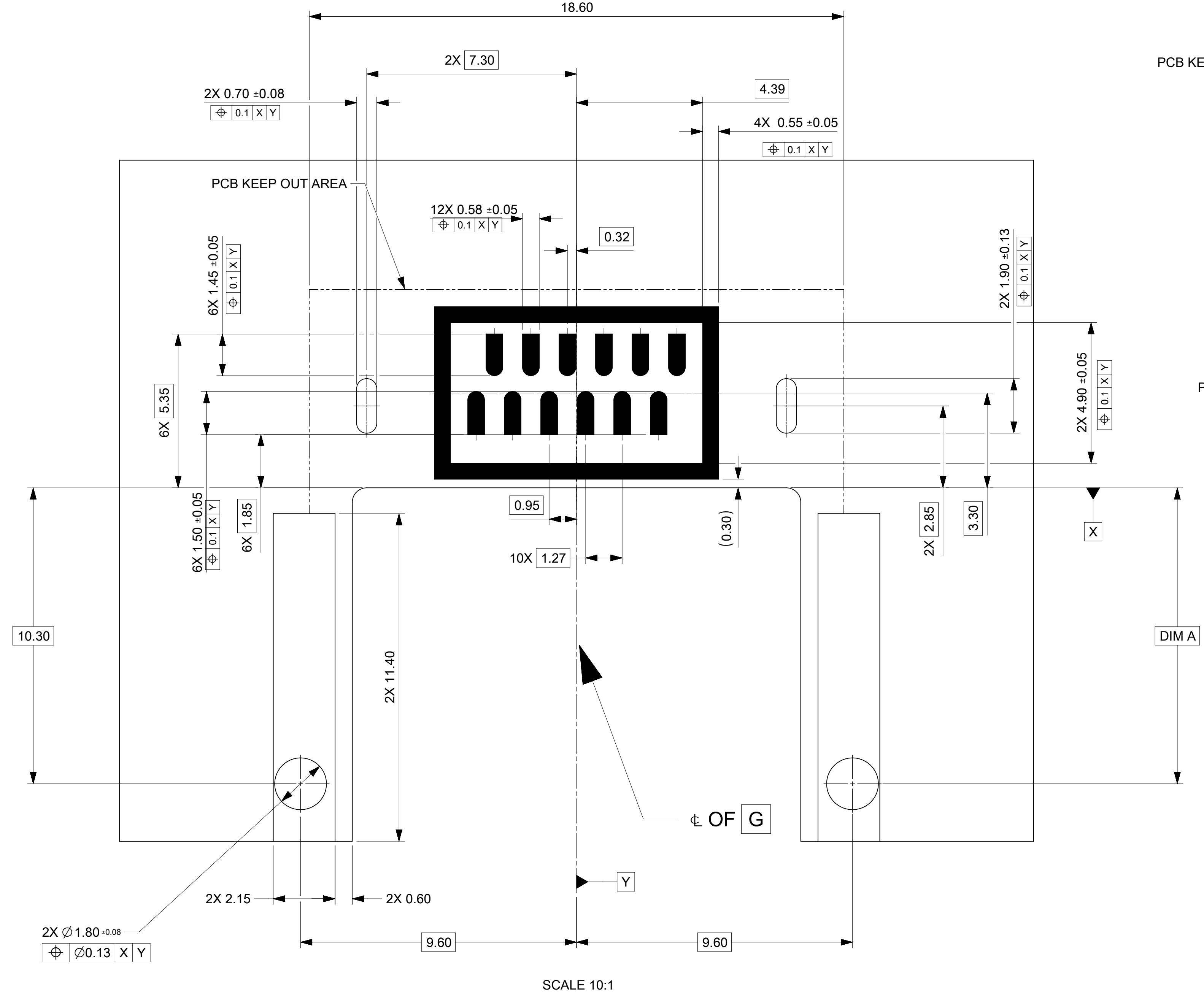
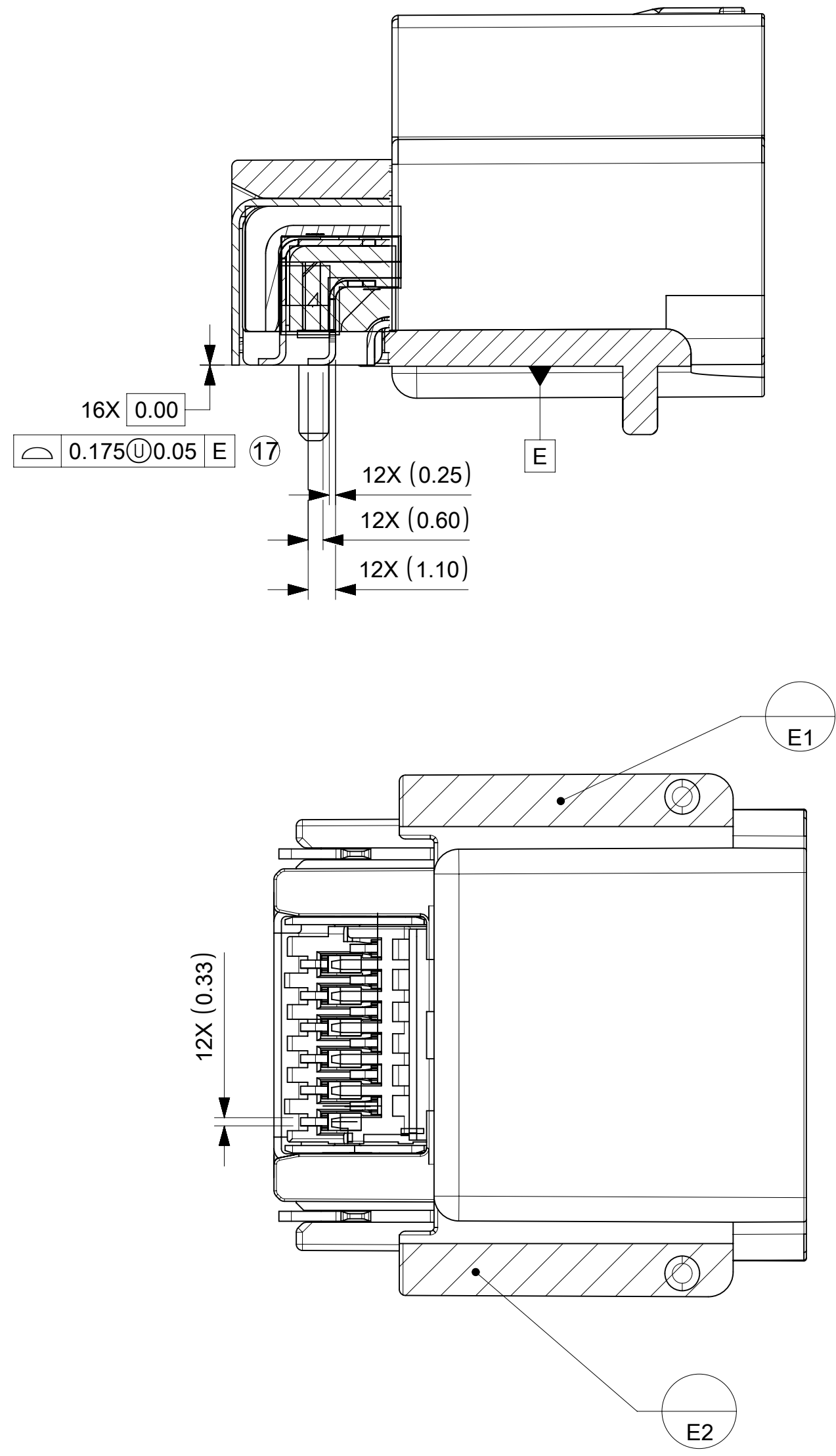


THIS DRAWING CONTAINS INFORMATION THAT IS PROPRIETARY TO MOLEX ELECTRONIC TECHNOLOGIES, LLC AND SHOULD NOT BE USED WITHOUT WRITTEN PERMISSION									
DIMENSION UNITS	SCALE	CURRENT REV DESC:							
mm	4:1								
GENERAL TOLERANCES (UNLESS SPECIFIED)									
ANGULAR TOL	± °								
4 PLACES	±	EC NO: 737480							
3 PLACES	±	DRWN: PRAVEC2	2022/10/28						
2 PLACES	± 0.2	CHK'D: ADUTTMN	2023/02/13						
1 PLACE	±	APPR: ADUTTMN	2023/02/13						
0 PLACES	±	INITIAL REVISION:							
DRAFT WHERE APPLICABLE MUST REMAIN WITHIN DIMENSIONS		DRWN: XLHE14	2018/06/25						
		APPR: DNAYLIS	2018/06/27						
THIRD ANGLE PROJECTION		DRAWING	SERIES	MATERIAL NUMBER	CUSTOMER	SHEET NUMBER			
D-SIZE		34861	SEE SHEET1	GENERAL MARKET	3 OF 4				

RECOMMENDED SMT PCB LAYOUT HEADER SIDE PCB

SMT VERSION WITH
HIGH SPEED INSERTS

SMT VERSION HIGH SPEED INSERT 34861-8009, 8019, 8029, 8039



KEY OPTION	DIM A
A	10.30
B	6.30
C	2.30

SCALE 10:1

THIS DRAWING CONTAINS INFORMATION THAT IS PROPRIETARY TO MOLEX ELECTRONIC TECHNOLOGIES, LLC AND SHOULD NOT BE USED WITHOUT WRITTEN PERMISSION

DIMENSION UNITS mm	SCALE 10:1	CURRENT REV DESC:			
GENERAL TOLERANCES (UNLESS SPECIFIED)					
ANGULAR TOL ± °			PRODUCT CUSTOMER DRAWING		
4 PLACES ±		EC NO: 737480	DOCUMENT NUMBER		
3 PLACES ±		DRWN: PRAVEC2 2022/10/28	DOC TYPE DOC PART REVISION		
2 PLACES ± 0.2		CHK'D: ADUTTMN 2023/02/13	348611406 PSD 000 C10		
1 PLACE ±		APPR: ADUTTMN 2023/02/13	MATERIAL NUMBER CUSTOMER SHEET NUMBER		
0 PLACES ±		INITIAL REVISION:	GENERAL MARKET 4 OF 4		
DRAFT WHERE APPLICABLE MUST REMAIN WITHIN DIMENSIONS	THIRD ANGLE PROJECTION	DRAWING SERIES	D-SIZE 34861		