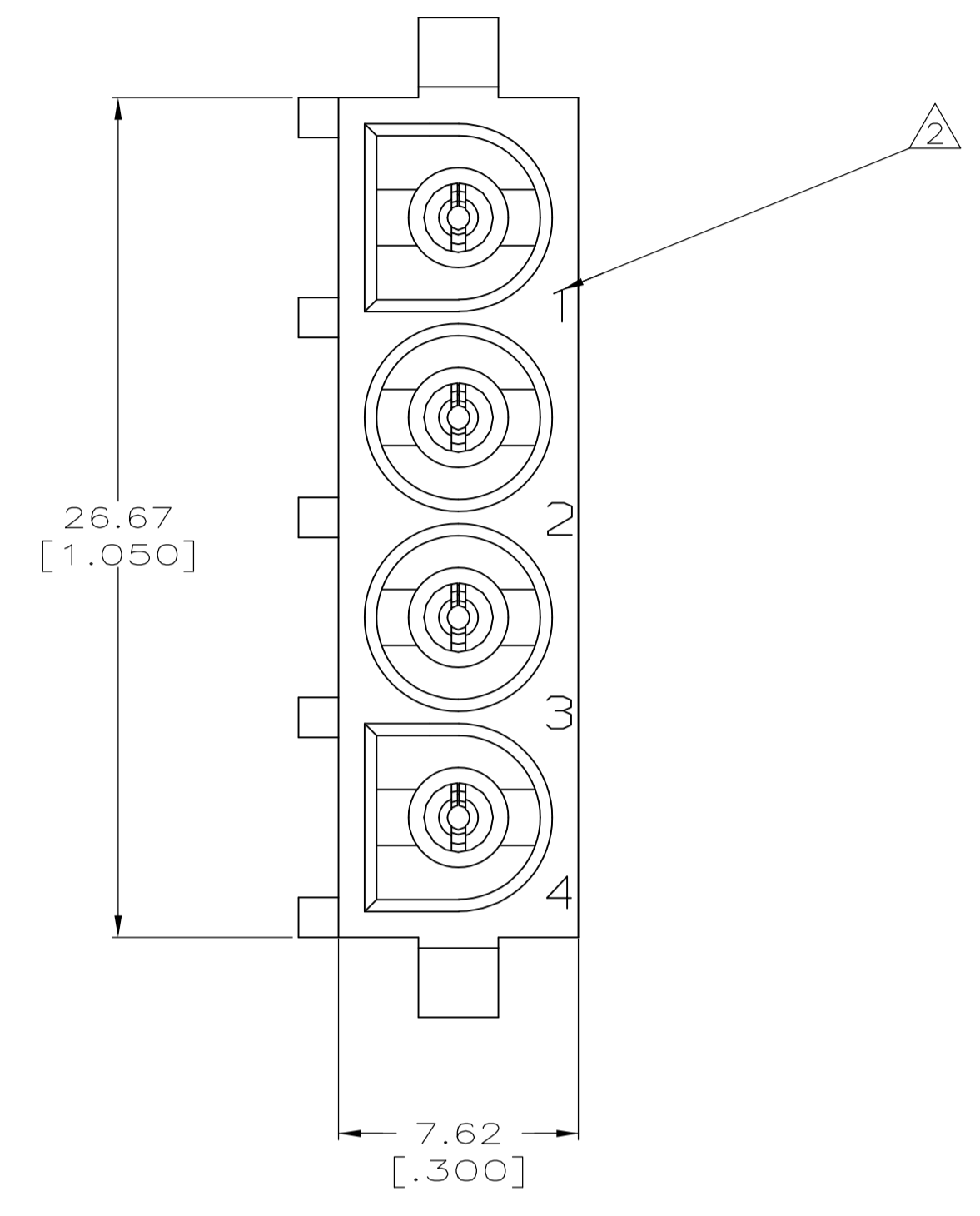
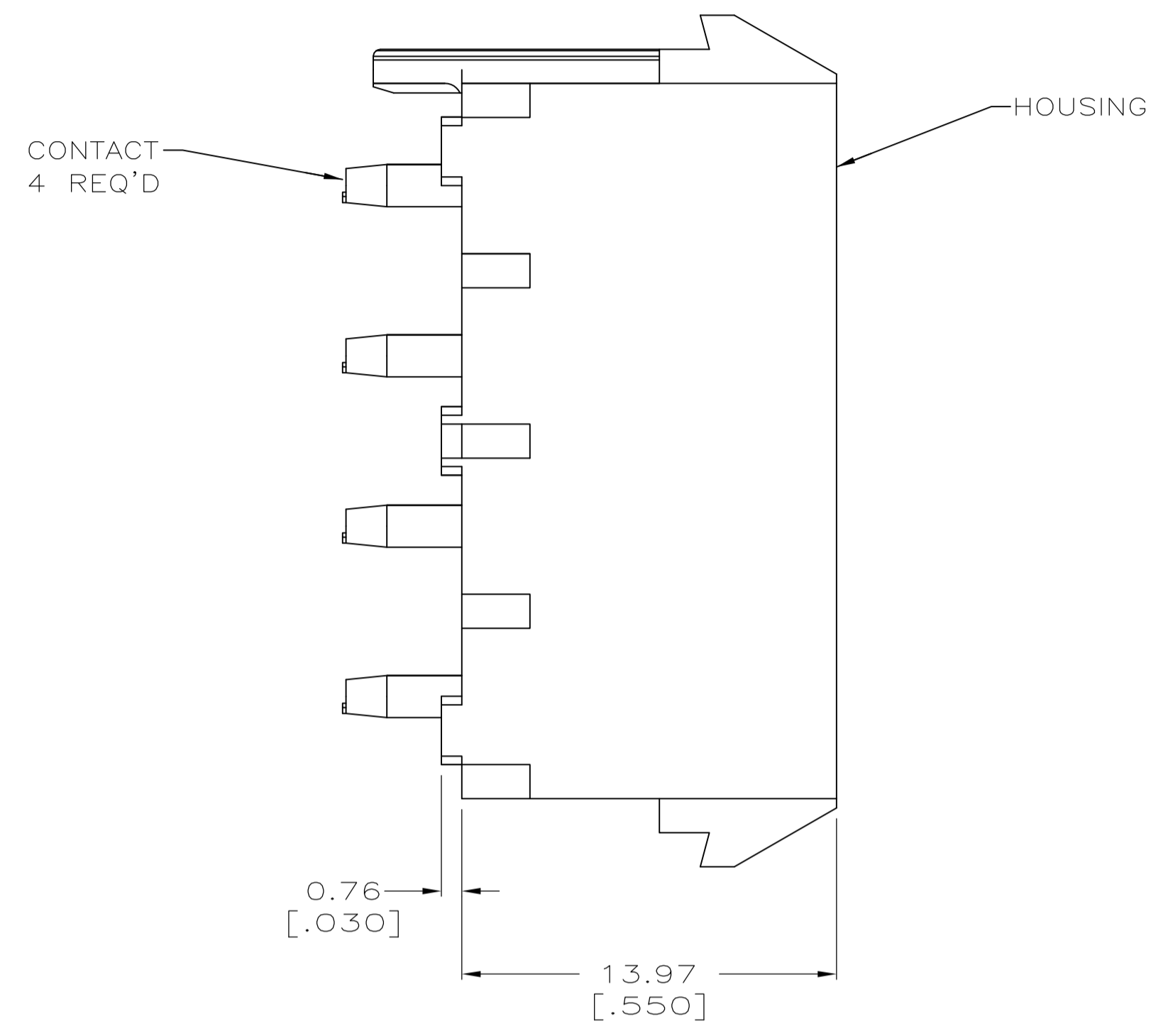
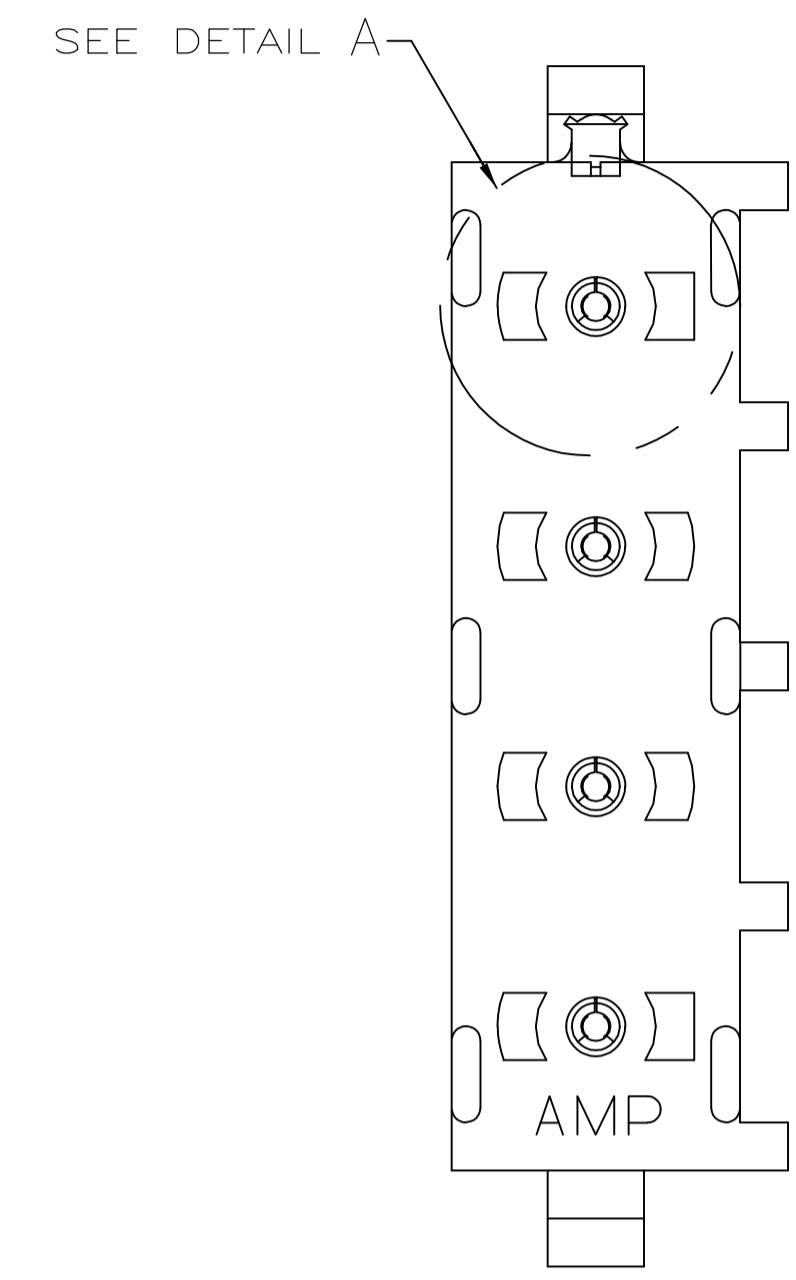
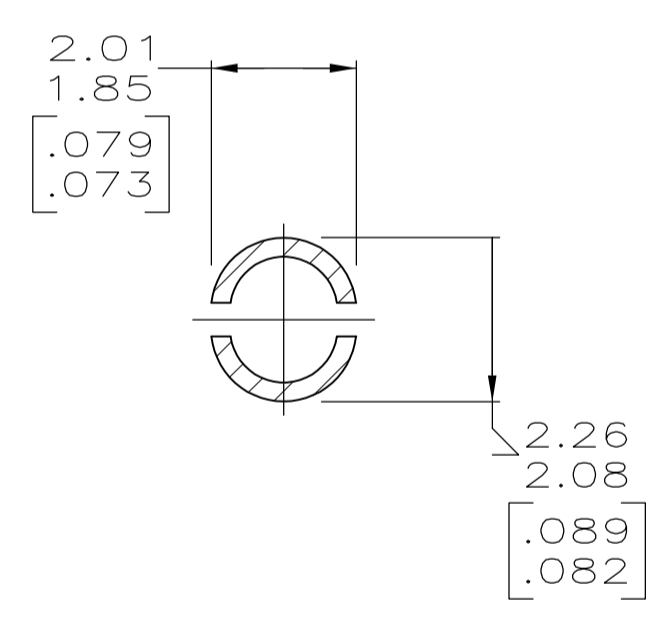
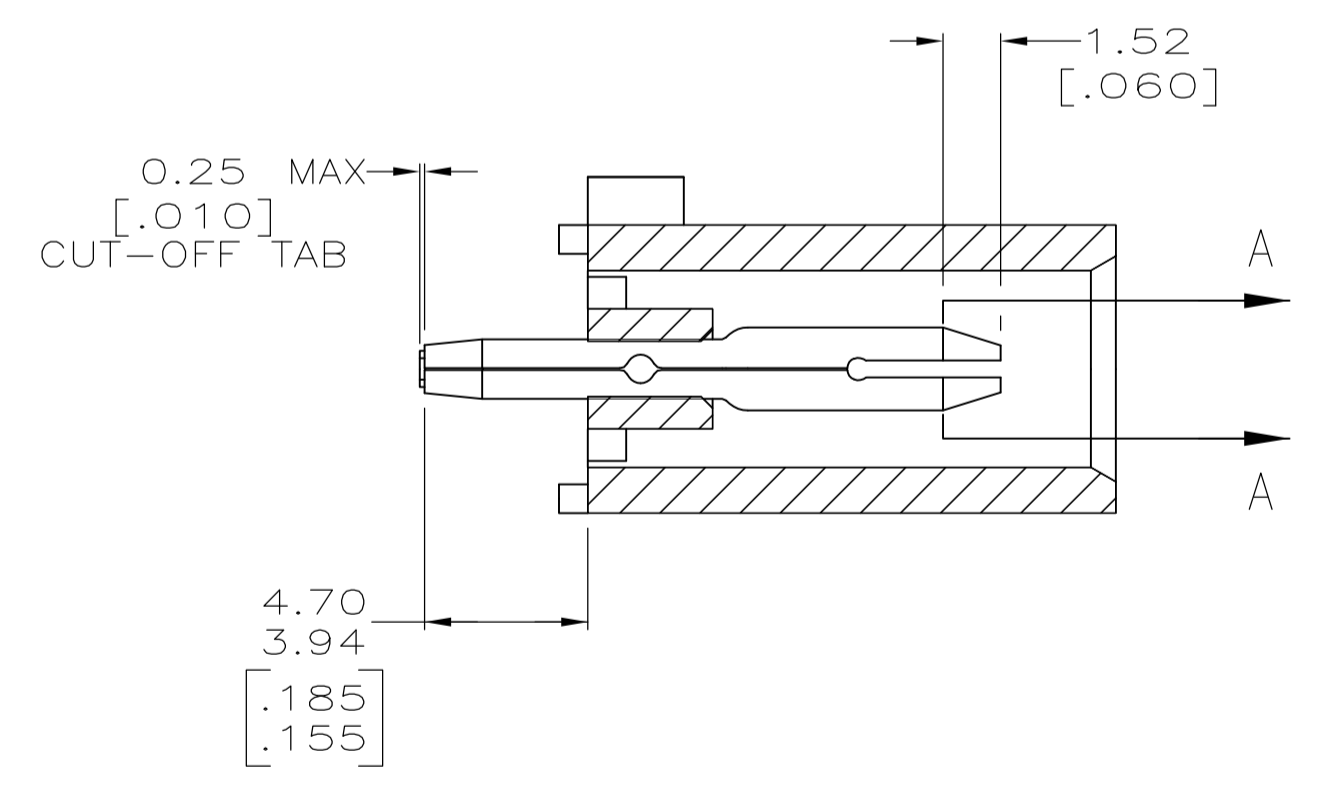


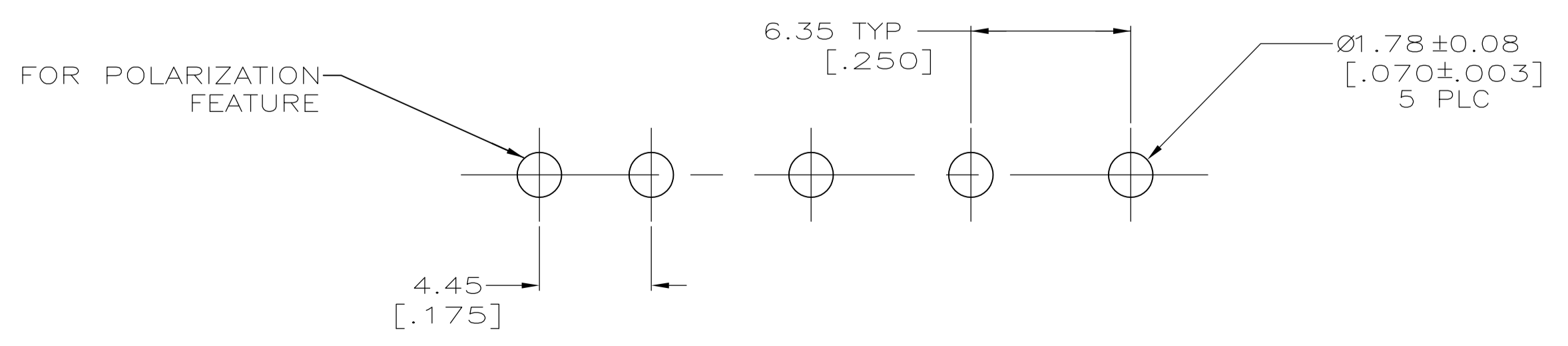
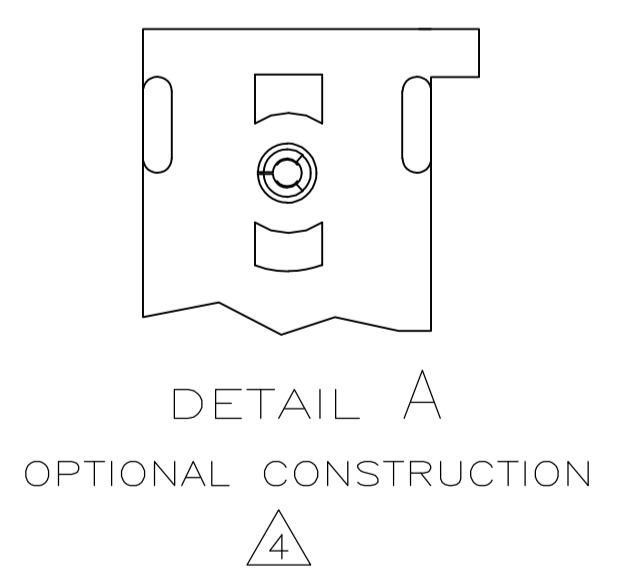
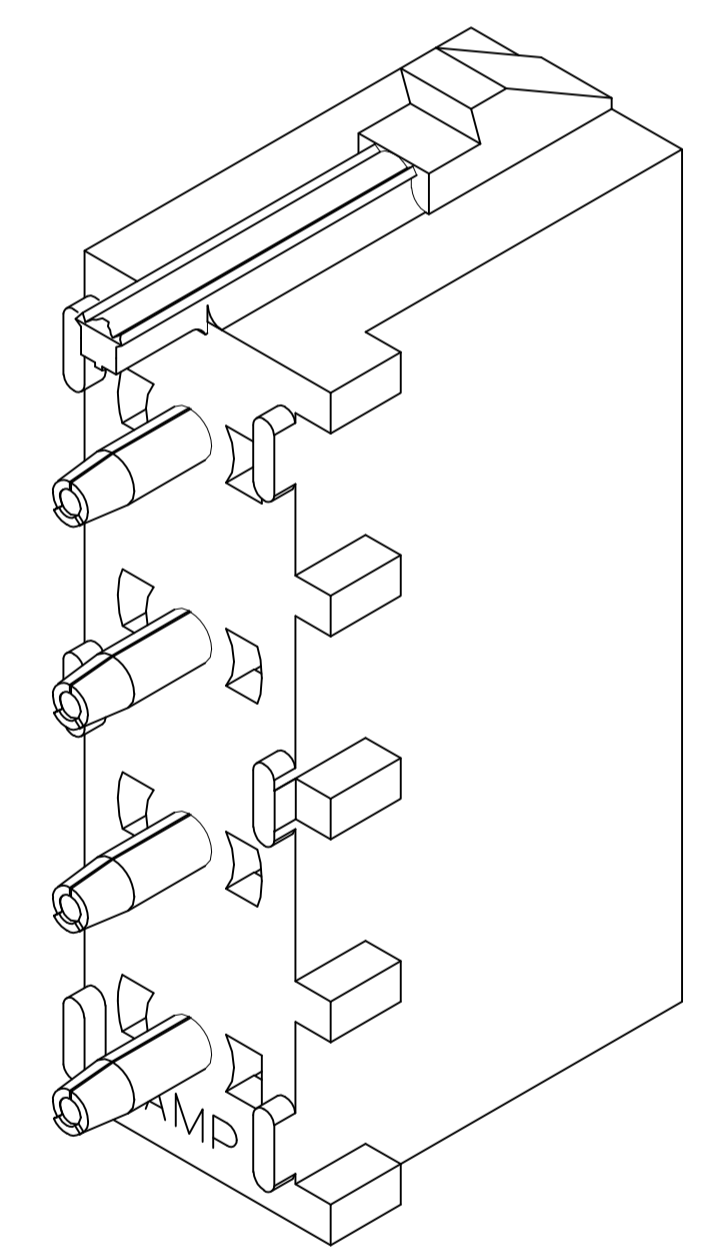
LOC		DIST		REVISIONS			
P	LTR	DESCRIPTION	DATE	DMN	APVD		
B1	REV PER ECR	11-025683	20DEC11	JR	TM		



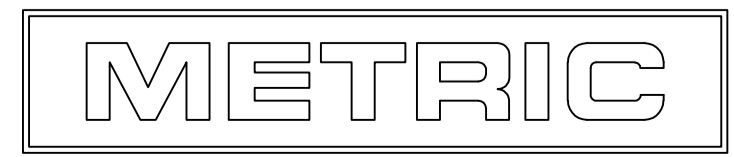
- PARTS COMPLY TO AMP SOLDERABILITY SPECIFICATION 109-11-3.
- CIRCUIT IDENTIFICATION CHARACTERS ARE ADJACENT TO THE INDICATED CAVITIES, BUT LOCATION AND ORIENTATION MAY DIFFER FROM PRINT.
- DIMENSIONS IN BRACKETS ARE IN INCHES.
- DRAIN HOLES LOCATED AS SHOWN. OPTIONAL CONSTRUCTION- ALL DRAIN HOLES LOCATED 90° AS SHOWN IN DETAIL A.
- FLAMMABILITY V-2 FOR THICKNESS 0.38mm, 0.75mm, 1.5mm AND 3.0mm PER IEC 60695-11-10.
- GLOW-WIRE FLAMMABILITY (GWFI) 800°C FOR THICKNESS 0.38mm AND 0.75mm PER 60695-2-12.
- GLOW-WIRE FLAMMABILITY (GWFI) 960°C FOR THICKNESS 1.5mm AND 3.0mm PER 60695-2-12.
- GLOW-WIRE IGNITION (GWI) 825°C FOR THICKNESS 0.38mm, 0.75mm, 1.5mm AND 3.0mm PER 60695-2-13.
- PRELIMINARY - NOT FOR PRODUCTION



SECTION A-A
SCALE 10:1



RECOMMENDED MOUNTING HOLE PATTERN
FOR 1.57 [.062] THICK P.C. BOARD



PHOSPHOR BRONZE, PRE-TIN	NYLON, UL94V-2,NATURAL	1586965-2																		
CONTACT MATERIAL / FINISH	HOUSING MATERIAL/COLOR	PART NO.																		
THIS DRAWING IS A CONTROLLED DOCUMENT.		APVD: TOM MICHIELUTTI																		
DIMENSIONS: mm		TOLERANCES UNLESS OTHERWISE SPECIFIED:																		
<table border="1"> <tr><td>0 PLC</td><td>±</td><td>-</td></tr> <tr><td>1 PLC</td><td>±</td><td>-</td></tr> <tr><td>2 PLC</td><td>±</td><td>0.13 [.005]</td></tr> <tr><td>3 PLC</td><td>±</td><td>-</td></tr> <tr><td>4 PLC</td><td>±</td><td>-</td></tr> <tr><td>ANGLES</td><td>±</td><td>0° 30'</td></tr> </table>		0 PLC	±	-	1 PLC	±	-	2 PLC	±	0.13 [.005]	3 PLC	±	-	4 PLC	±	-	ANGLES	±	0° 30'	NAME: TOM MICHIELUTTI
0 PLC	±	-																		
1 PLC	±	-																		
2 PLC	±	0.13 [.005]																		
3 PLC	±	-																		
4 PLC	±	-																		
ANGLES	±	0° 30'																		
MATERIAL SEE TABLE		FINISH SEE TABLE																		
WEIGHT		SIZE: A1																		
CUSTOMER DRAWING		SCALE: 5:1																		
SHEET 1 OF 1		REV B1																		