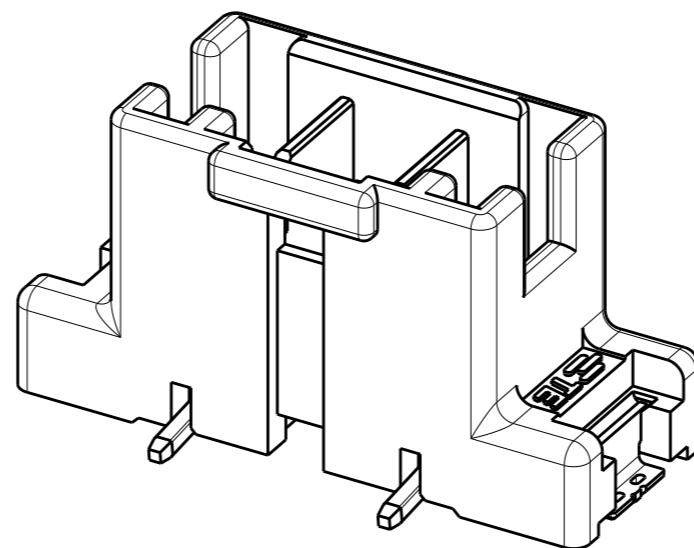


THIS DRAWING IS UNPUBLISHED. RELEASED FOR PUBLICATION 2015  
 © COPYRIGHT 2015 BY - ALL RIGHTS RESERVED.

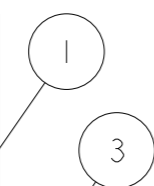
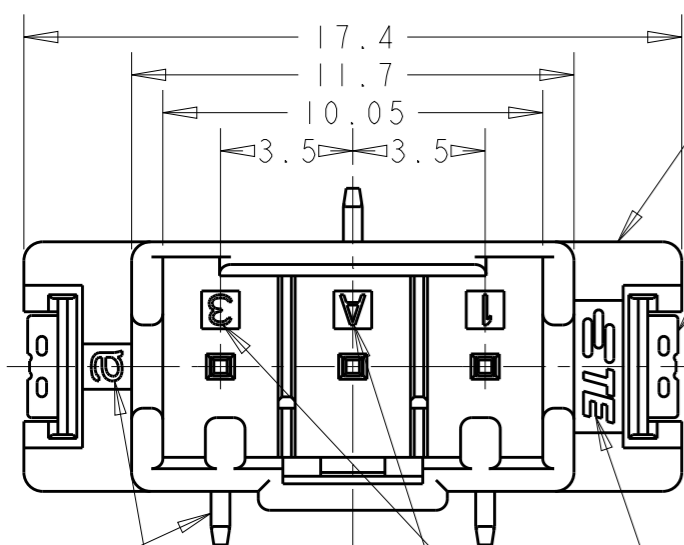
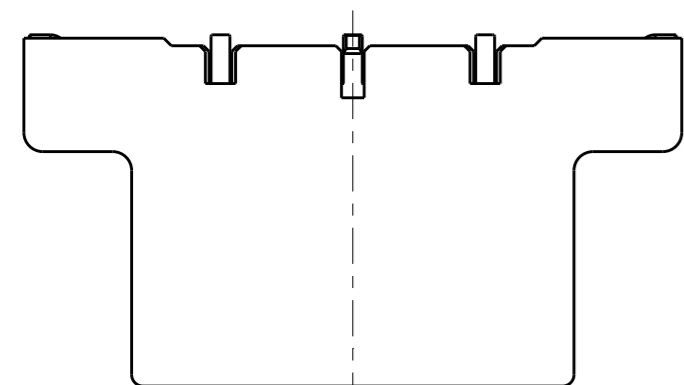
REVISIONS  
変更

P	LTR	DESCRIPTION	DATE	DWN	APVD
	A	RELEASED	07SEP2015	K.S	D.Z
	A1	REVISED PER ECR-15-018160	21DEC2015	K.S	D.Z
	A2	REVISED PER ECR-16-007851	31MAY2016	K.S	D.Z



- 1. 適用基板厚 : 1.0+, 1.6+
- 2. コプラナリティ : 0.1MAX.

- 1. APPLICABLE P.C.B THK. : 1.0+, 1.6+
- 2. COPLANARITY : 0.1MAX.



①

②

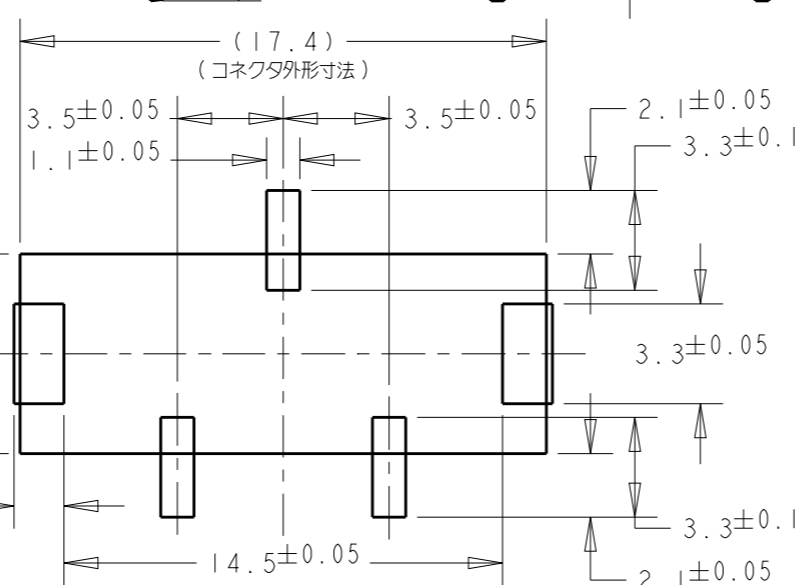
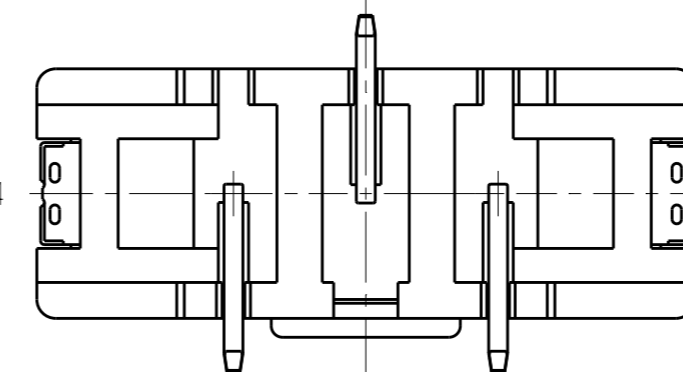
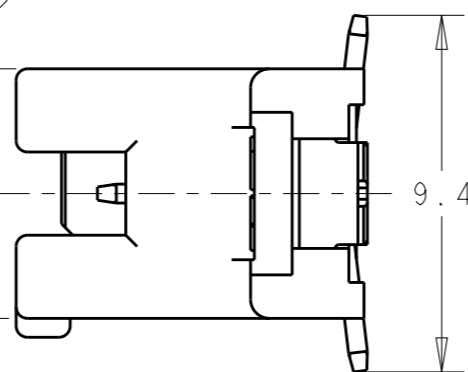
③

キャビティマーク  
CAVITY MARK

回路番号  
CIRCUIT No.

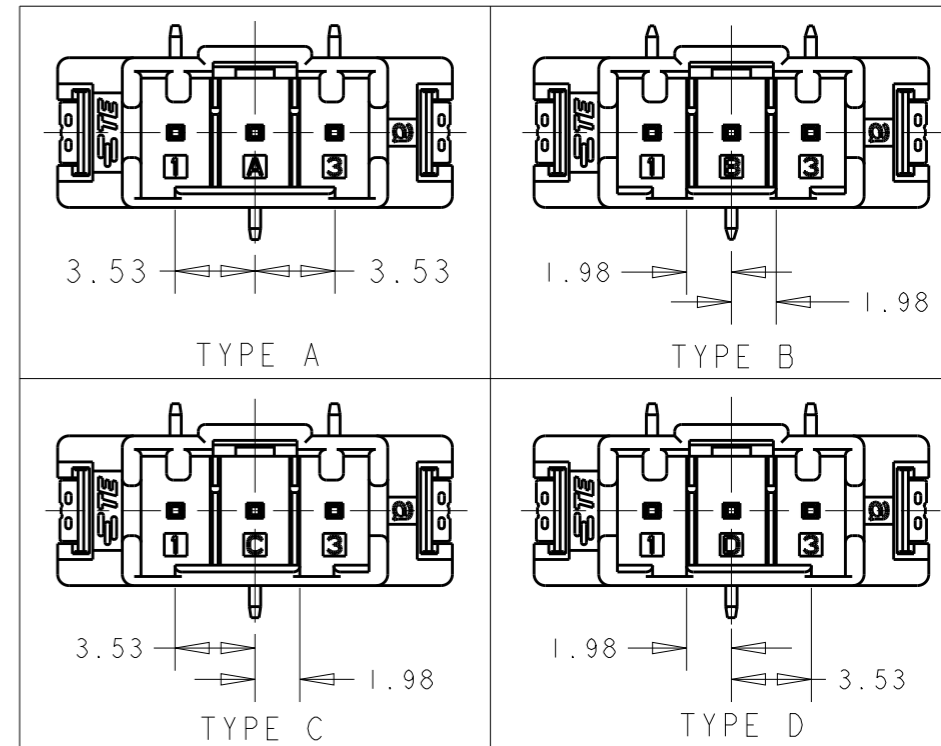
キーイングマーク  
KEYING MARK

トレードマーク  
TRADE MARK



推奨基板寸法  
RECOMMENDED PCB DIMENSIONS  
SCALE 4:1

KEYING TYPE (SCALE 3:1)



2229813-4	BLUE	TYPE-D	3POS	2229812-4
2229813-3	BROWN	TYPE-C	3POS	2229812-3
2229813-2	BLACK	TYPE-B	3POS	2229812-2
2229813-1	NATURAL	TYPE-A	3POS	2229812-1
嵌合相手製品型番 MATING CONN. P/N	色 COLOR	キーイングタイプ TYPE OF KEYING	極数 POS.	型番 PART NO.

TABLE 1

アイテム ITEM	名称 NAME	材質、表面処理 MATERIAL & FINISH
①	ヘッダーハウジング HEADER HOUSING	高耐熱ナイロン ガラス強化 (UL94V-0) HIGH HEAT RESISTANT NYLON GLASS FILLED (UL94V-0)
②	ポストコンタクト POST CONTACT	錫めっき黄銅 PRE TIN BRASS
③	ペグ PEG	リン青銅 錫めっき仕上げ PHOSPHOR BRONZE TIN PLATE

THIS DRAWING IS A CONTROLLED DOCUMENT.

DIMENSIONS: 単位: 概 mm	TOLERANCES UNLESS OTHERWISE SPECIFIED:
	一般公差 ±0.2
	0 PLC ±
	1 PLC ±
	2 PLC ±
	3 PLC ±
4 PLC ±	
ANGLES ±3°	
MATERIAL 材料	FINISH 仕上
SEE TABLE 1	SEE TABLE 1

DWN	07SEP2015
K.SAKAI	
CHK	07SEP2015
DANIEL ZHANG	
APVD	07SEP2015
DANIEL ZHANG	
PRODUCT SPEC	108-78982
製品規格	
APPLICATION SPEC	114-5286
取付適用規格	
WEIGHT	0.76g
CUSTOMER DRAWING	



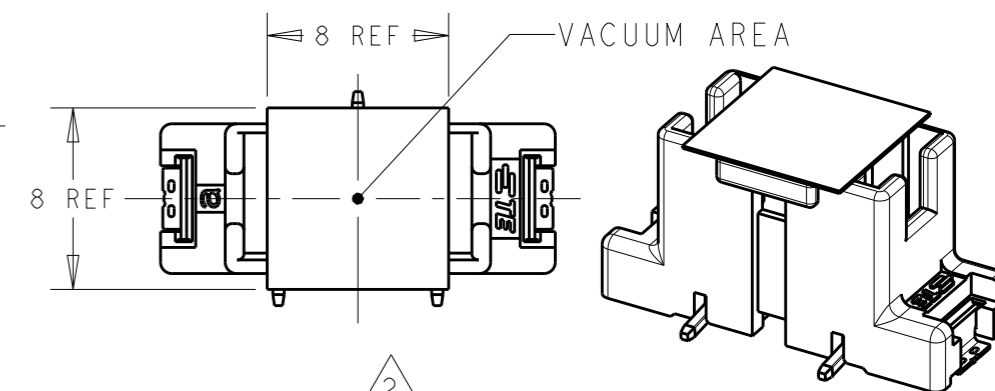
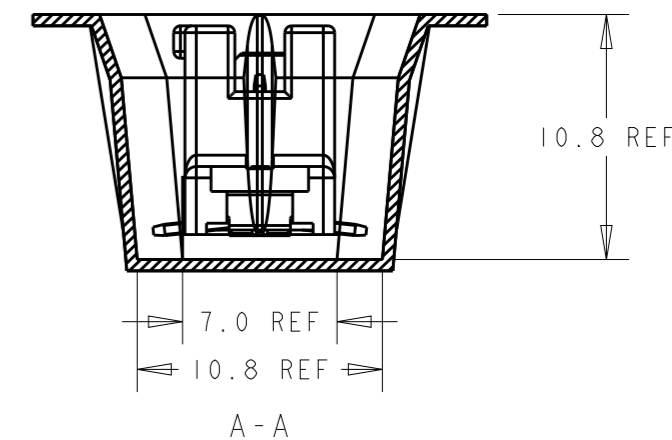
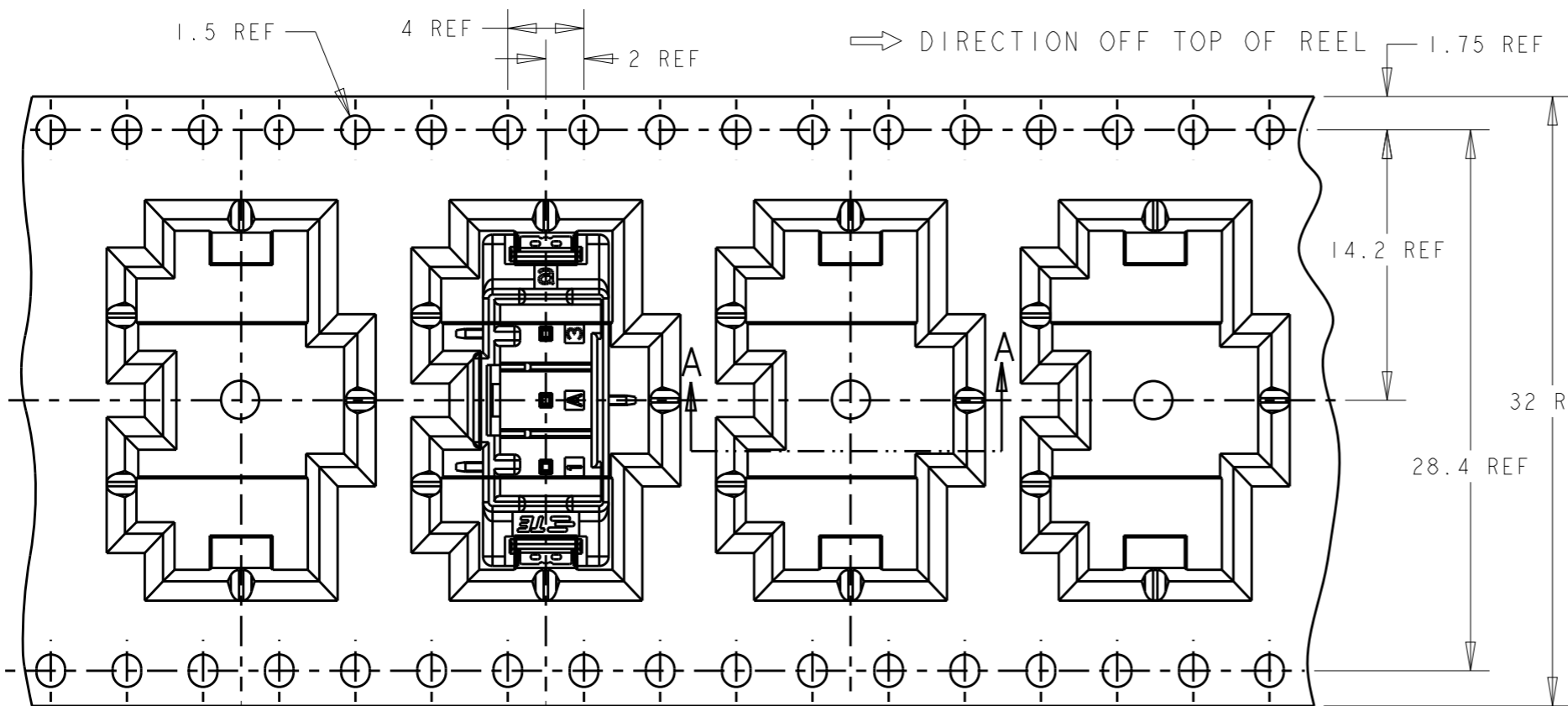
NAME  
名称  
HEADER ASSEMBLY  
MOTOR I/O CONNECTOR

SIZE	CAGE CODE	DRAWING NO 番号	RESTRICTED TO
A3	-	2229812	-
SCALE 尺度	5:1	SHEET 1 OF 2	REV A2

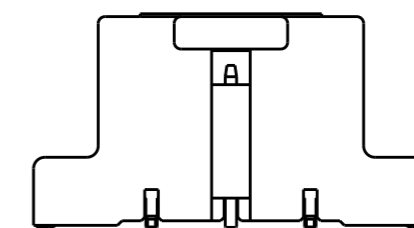
REVISIONS

変更

P	LTR	DESCRIPTION	DATE	DWN	APVD
-	-	SEE SHEET 1	-	-	-

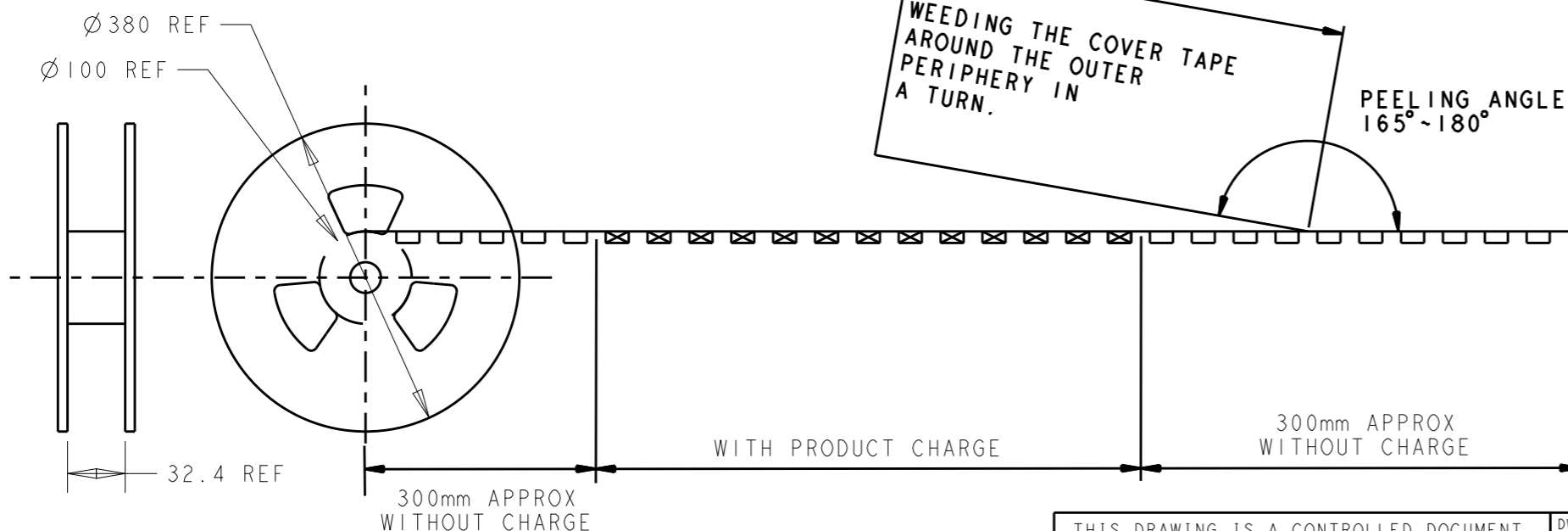


↑ MEASURING DIRECTION FOR PEELING STRENGTH OF POLYIMIDE TAPE



HEADER ASSEMBLY WITH POLYIMIDE TAPE

WEEDING THE COVER TAPE AROUND THE OUTER PERIPHERY IN A TURN.  
PEELING ANGLE. 165°~180°



1. UNLESS OTHERWISE SPECIFIED TOLERANCE PER EIA-481.

2 PEELING STRENGTH OF POLYIMIDE TAPE : 0.1N MIN.  
PEELING SPEED : 100mm/MINUTE

THIS DRAWING IS A CONTROLLED DOCUMENT.		DWN	TE Connectivity	
DIMENSIONS: 單位: 耗 mm		CHK		
TOLERANCES UNLESS OTHERWISE SPECIFIED:		APVD	NAME 名称: HEADER ASSEMBLY MOTOR I/O CONNECTOR	
一般公差		PRODUCT SPEC 製品規格	SIZE: A3	
0 PLC ±		APPLICATION SPEC 取付適用規格	CAGE CODE: -	DRAWING NO. 番号: C-2229812
1 PLC ±		WEIGHT	RESTRICTED TO: -	
2 PLC ±		CUSTOMER DRAWING	SCALE 尺度: NTS	SHEET 2 OF 2
3 PLC ±			REV: A2	
4 PLC ±				
ANGLES ±3°				
FINISH 仕上				
MATERIAL 材料				