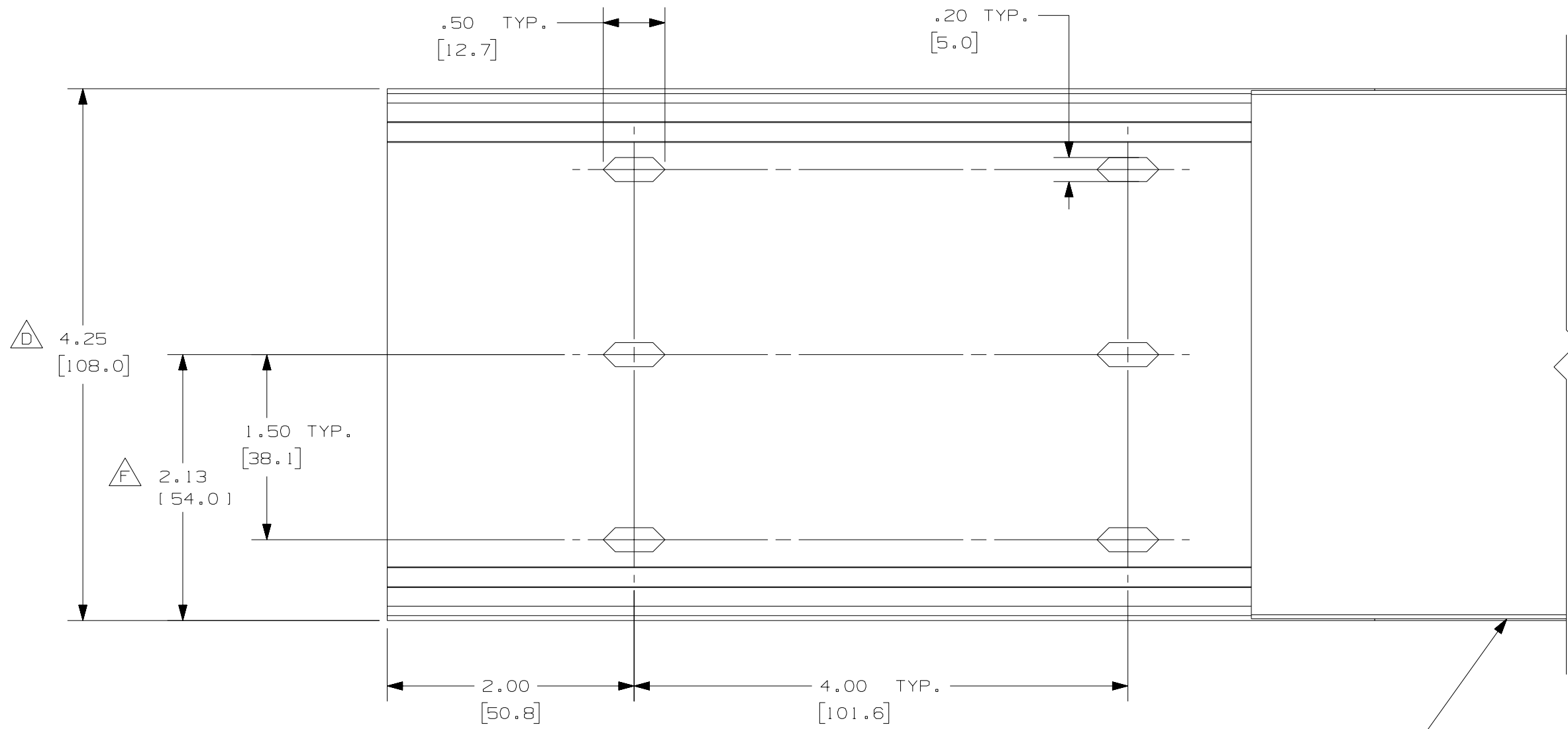
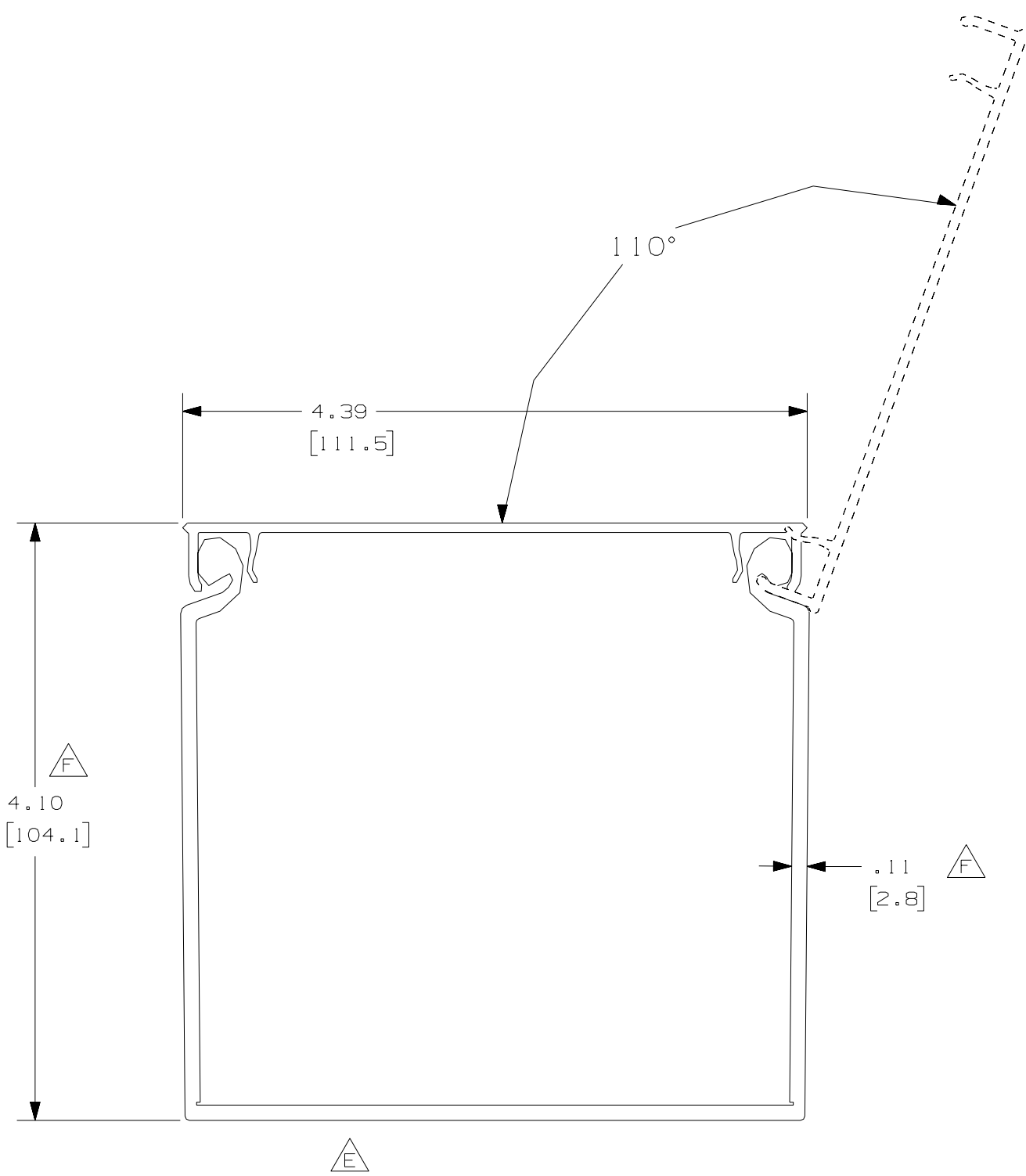


THIS COPY IS PROVIDED ON A RESTRICTED BASIS AND IS NOT TO BE USED IN ANY WAY DETRIMENTAL TO THE INTERESTS OF PANDUIT CORP.



COVER - - PART NUMBER
HC4**6



DUCT - - PART NUMBER
HS4X4**6

G

NOTES:

1. ALL DIMENSIONS ARE REFERENCE ONLY.
2. DIMENSIONS IN PARENTHESIS ARE METRIC.
3. THE ** DENOTE COLOR.
4. DUCT AND COVER ARE AVAILABLE IN 6 FT [1828.8] LENGTHS.

REV	DATE	BY	CHK	DESCRIPTION
--	-----	---	---	G. ADDED LENGTH NOTE
--	-----	---	---	F. CORRECTED DIMENSION E. DELETED DIMENSION
2	8/3/07	JCSTMKBE		D. ADDED DIMENSION C. TITLE CHANGED
1	4/8/05	JCSTMKBE		B. TITLE CHANGED A. DRAWING MODIFIED
R	1/13/05	JCSTMKBE		DRAWING RELEASED

CAD FILENAME/LAYERS		D11000PF_DC_MH_00C	
PANDUIT CORP. TINLEY PARK, ILLINOIS			
WIRING DUCT - TYPE HS SOLID WALL DUCT 4X4 (WITH MOUNTING HOLES & COVER) MARKETING DRAWING			
DRWN BY JCST	MAT'L: PVC	SCALE FULL	DWG C
DATE 1/13/05	CHECKED BY MKBE	DRAWING NO. 36897-1039	SIZE C