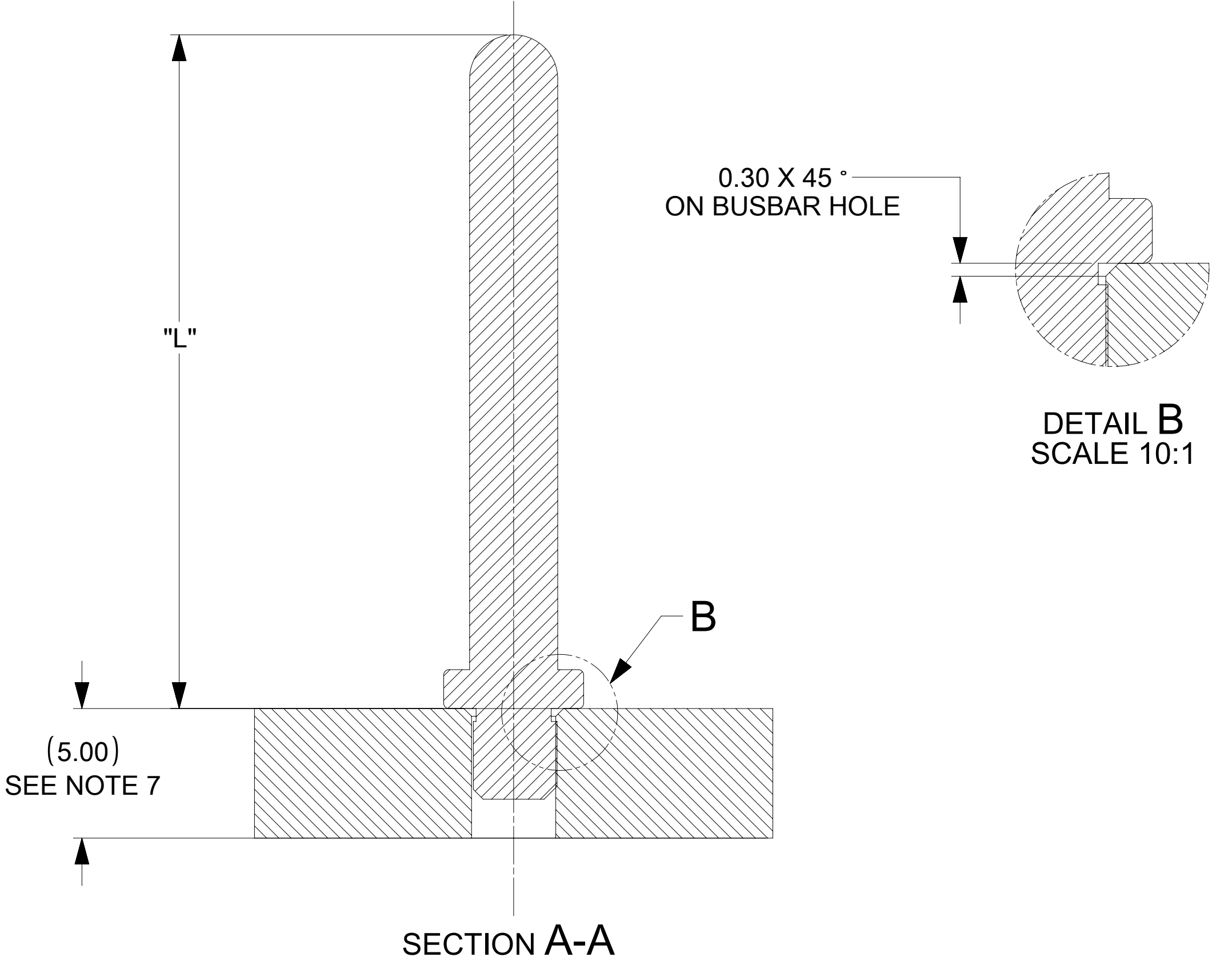
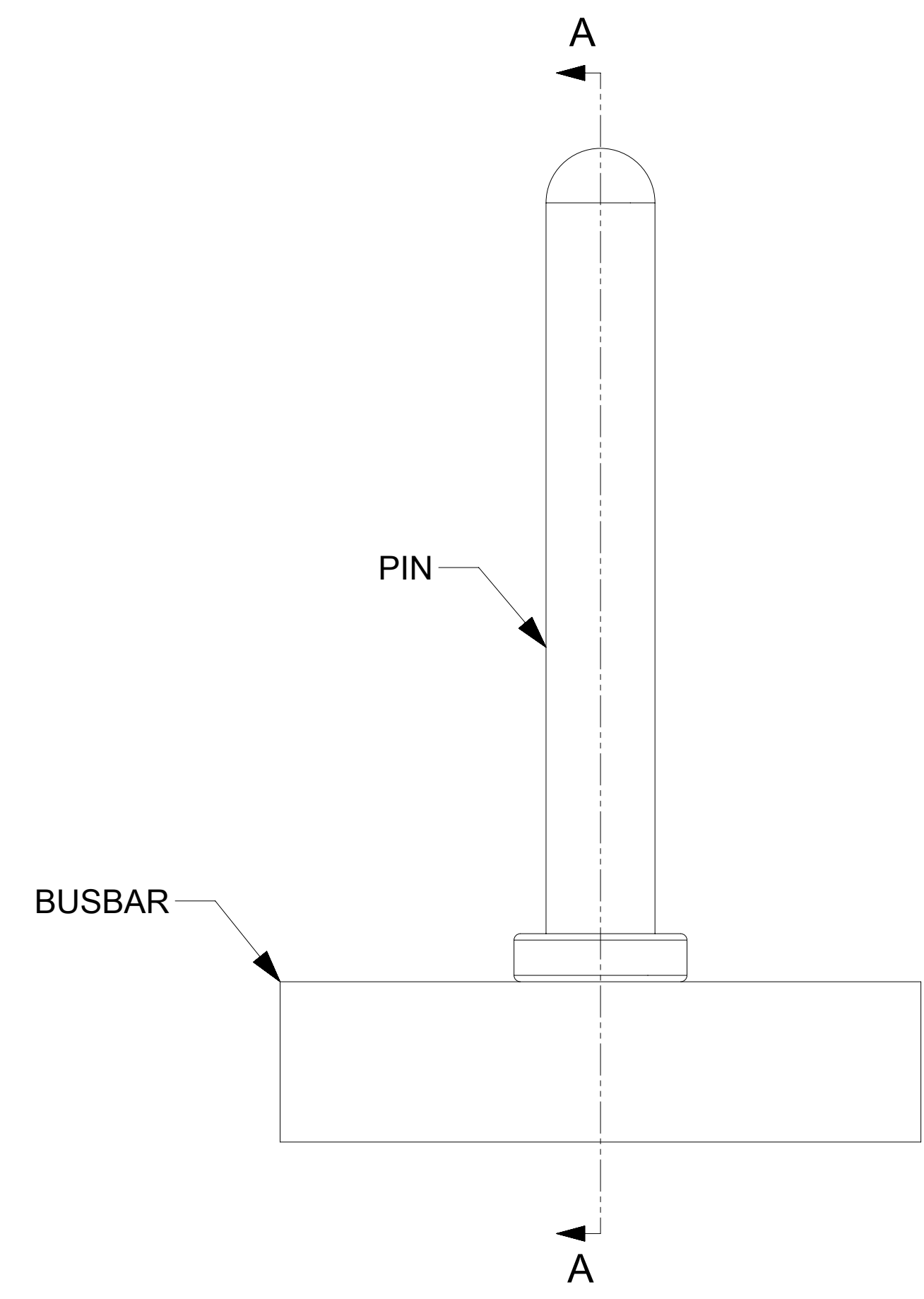
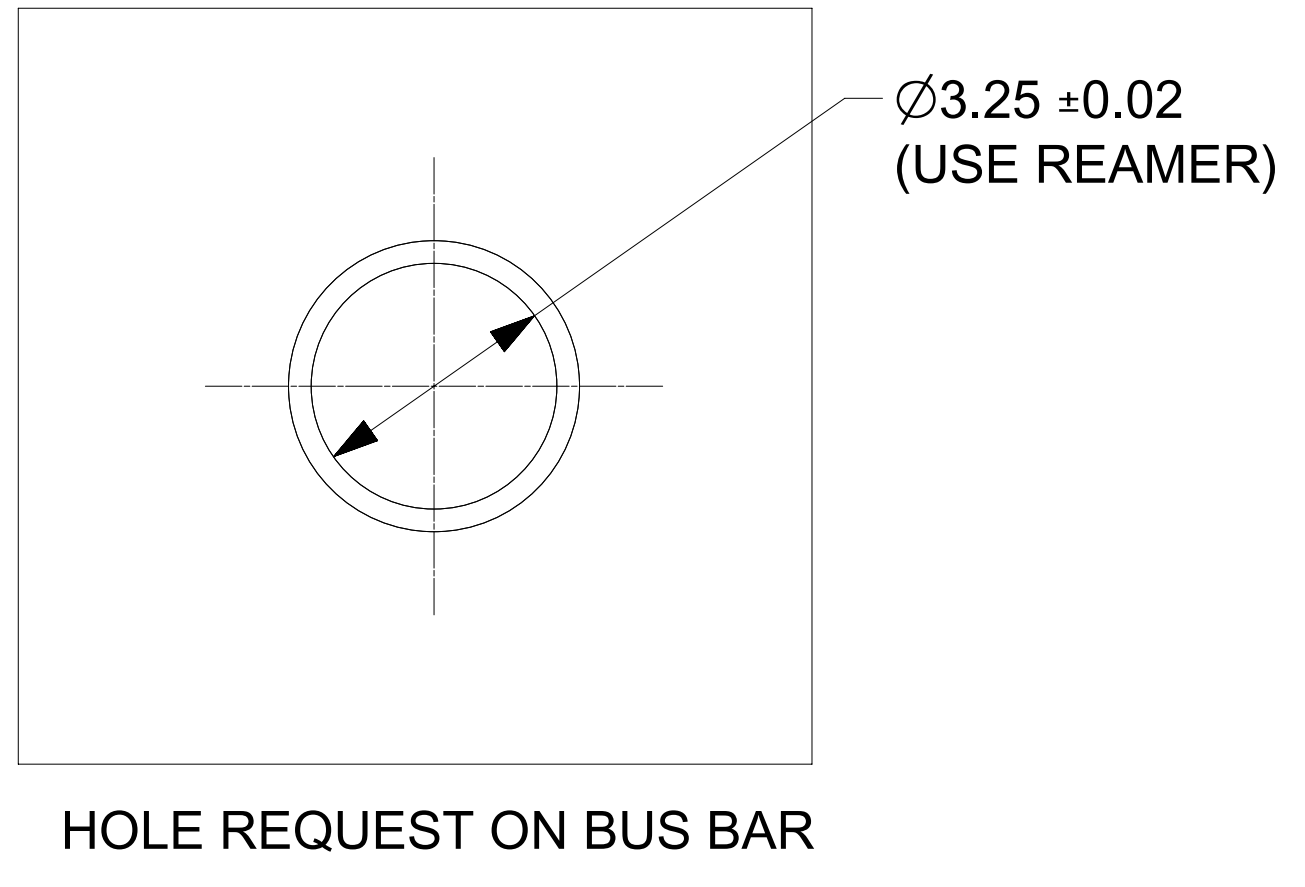
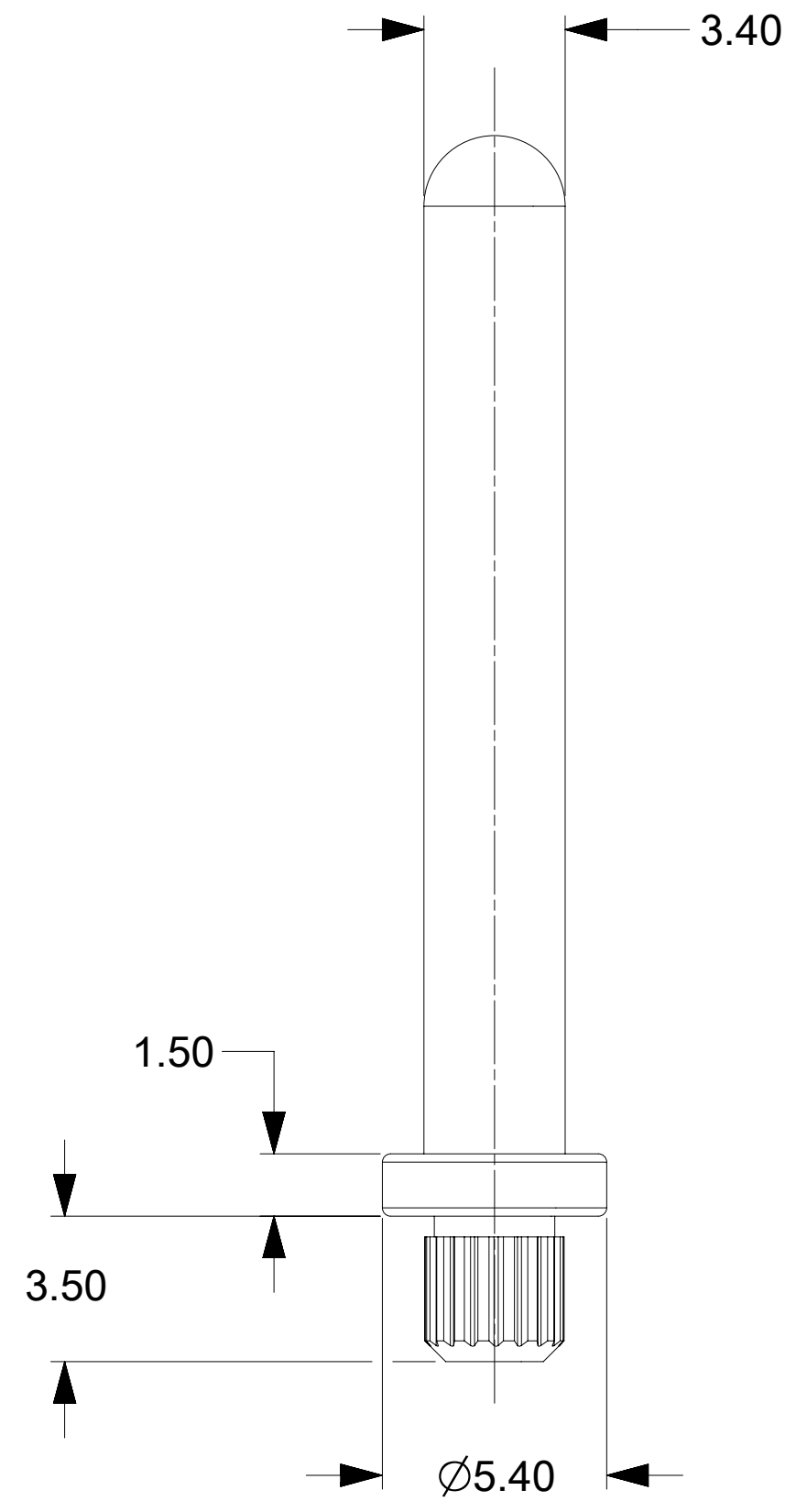
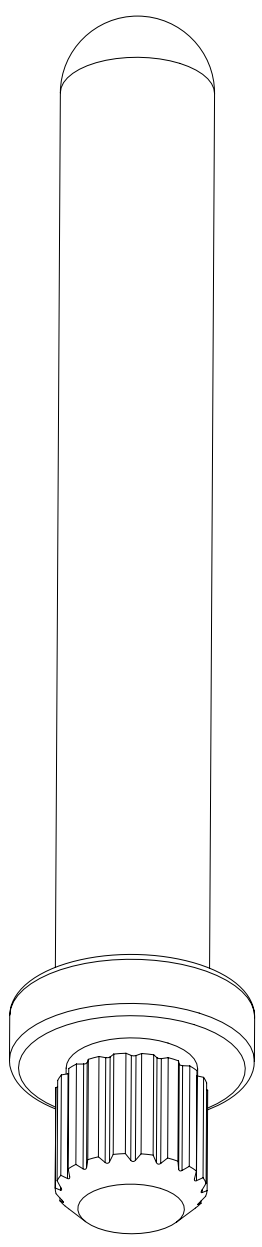


PART NUMBER	DIMENSION L
203263-0234	16.00
203263-0034	26.00
203263-0334	36.00
203263-0434	46.00
203263-0534	20.00
203263-0934	48.00



NOTES :

- MATERIAL:
 - BASE METAL: HIGH CONDUCTIVE COPPER ALLOY
 - PLATING ON BODY: 3.18 MICRON MIN SILVER OVER 1.27 MICRON MIN NICKEL
- PRODUCT SPECIFICATION: 2043130018-PS
- APPLICATION SPECIFICATION: 2043130018-AS
- PACKAGING SPECIFICATION: 2032630006-PK
- SILVER COMPONENTS WILL BE SUPPLIED TARNISH FREE BUT MAY TARNISH OVER TIME.
- MINIMUM RECOMMENDED BUSBAR THICKNESS IS 1.5MM

THIS DRAWING CONTAINS INFORMATION THAT IS PROPRIETARY TO MOLEX ELECTRONIC TECHNOLOGIES, LLC AND SHOULD NOT BE USED WITHOUT WRITTEN PERMISSION											
DIMENSION UNITS		SCALE		CURRENT REV DESC: UPDATED THE DESCRIPTION							
mm		10:1									
GENERAL TOLERANCES (UNLESS SPECIFIED)				EC NO: 726284							
ANGULAR TOL ± 0.5°				4 PLACES ±		DRWN: SOURAJ		2022/10/26		SENTRALITY 3.40MM MALE TERMINAL PRESS-FIT	
				3 PLACES ±		CHK'D: SUVARS		2022/10/27		PRODUCT CUSTOMER DRAWING	
				2 PLACES ± 0.15		APPR: GSHARMA		2022/10/28		DOCUMENT NUMBER	
				1 PLACE ± 0.25		INITIAL REVISION:				DOC TYPE	
				0 PLACES ±		DRWN: RLOW		2019/04/01		DOC PART	
				DRAFT WHERE APPLICABLE MUST REMAIN WITHIN DIMENSIONS		APPR: BPISZCZOR		2019/06/10		REVISION	
				THIRD ANGLE PROJECTION		DRAWING		SERIES		MATERIAL NUMBER	
				D-SIZE		203263		SEE TABLE		CUSTOMER	
										SHEET NUMBER	
										1 OF 1	