

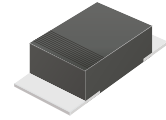
CDBFN120-HF Thru CDBFN1100-HF

Voltage: 20 to 100 Volts

Current: 1.0 Amp

RoHS Device

Halogen free

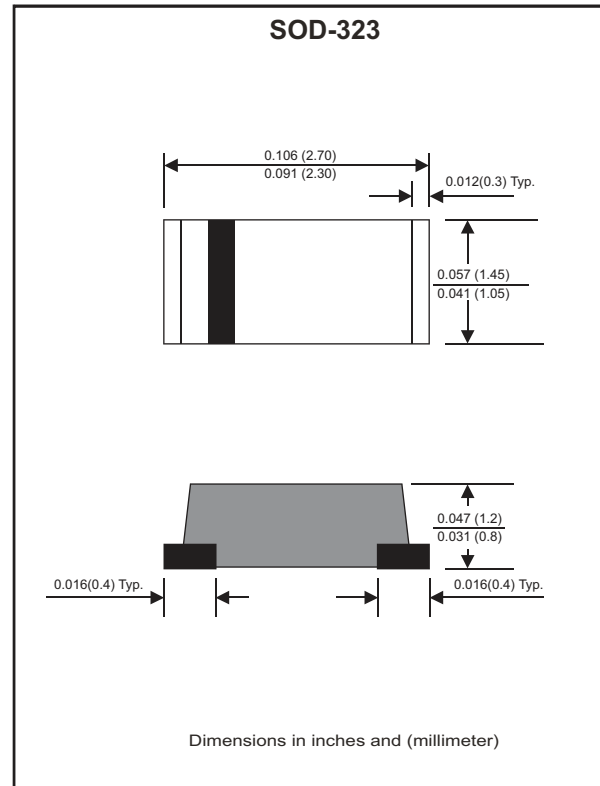


Features

- Batch process design, excellent power dissipation offers better reverse leakage current.
- Low profile surface mounted application in order to optimize board space.
- Low power loss, high efficiency.
- High current capability, low forward voltage drop.
- High surge capability.
- Guardring for overvoltage protection.
- Very tiny plastic SMD package.
- Ultra high-speed switching.
- Silicon epitaxial planar chip, metal silicon junction.
- Lead-free parts meet environmental standards of MIL-STD-19500 /228

Mechanical data

- Case: JEDEC SOD-323, Molded plastic
- Terminals: Solder plated, solderable per MIL-STD-750, method 2026.
- Polarity: Indicated by cathode band.
- Mounting position: Any
- Weight: 0.008 gram (approx.).



Maximum Ratings (at TA=25°C unless otherwise noted)

Parameter	Symbol	CDBFN 120-HF	CDBFN 130-HF	CDBFN 140-HF	CDBFN 150-HF	CDBFN 160-HF	CDBFN 180-HF	CDBFN 1100-HF	Unit
Repetitive peak reverse voltage	V _{RRM}	20	30	40	50	60	80	100	V
Maximum RMS voltage	V _{RMS}	14	21	28	35	42	56	70	V
Continuous reverse voltage	V _R	20	30	40	50	60	80	100	V
Maximum forward voltage @I _F =1.0A	V _F	0.55		0.70		0.85			V
Forward rectified current	I _O	1.0							A
Forward surge current, 8.3ms half sine wave superimposed on rated load (JEDEC method)	I _{FSM}	30							A
Reverse current on V _R =V _{RRM} @T _A =25°C @T _A =125°C	I _R					0.5			mA
Typ. thermal resistance, junction to ambient air	R _{θJA}					90			°C/W
Typ. diode junction capacitance (Note 1)	C _J					120			pF
Operating junction temperature	T _J					-55 to +125	-55 to +150		°C
Storage temperature	T _{STG}	-65 to +175							°C

Note 1: f=1MHz and applied 4V DC reverse voltage.

Ratings and Characteristic Curves(CDBFN120-HF Thru CDBFN1100-HF)

Fig.1 Typical Forward Current Derating Curve

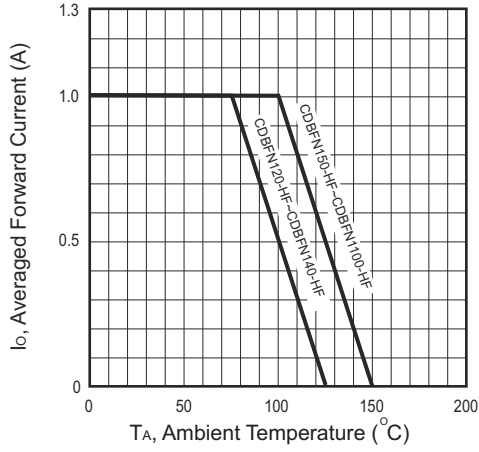


Fig.2 Typical Forward Characteristics

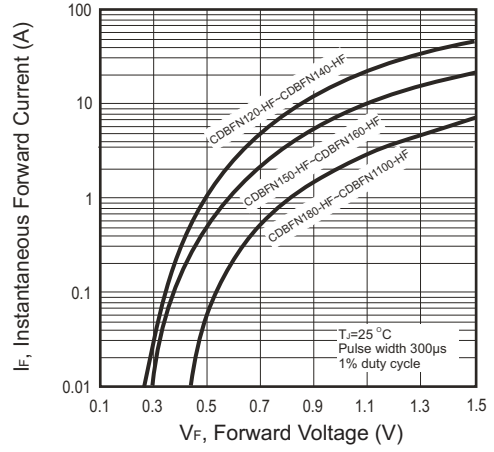


Fig.3 Maximum Non-repetitive Peak Forward Surge Current

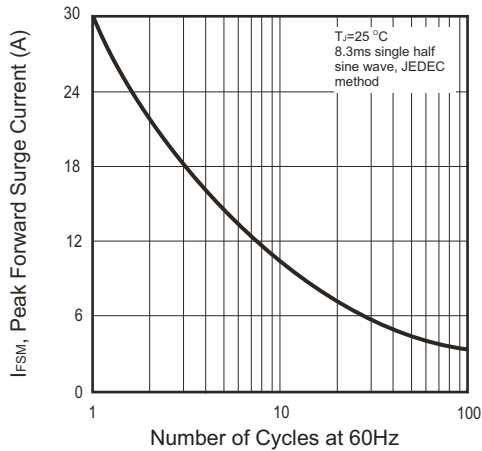


Fig.4 Typical Junction Capacitance

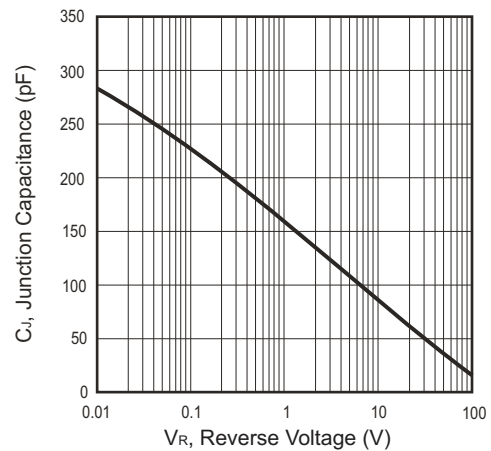
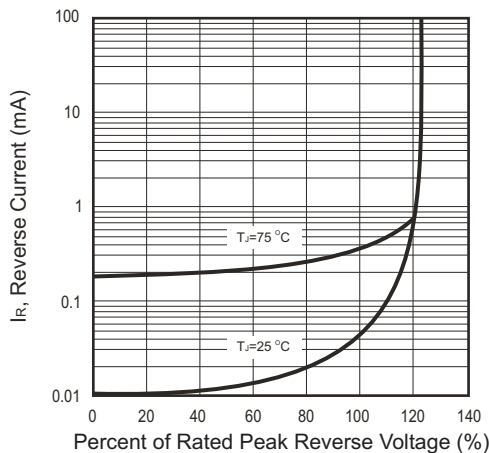
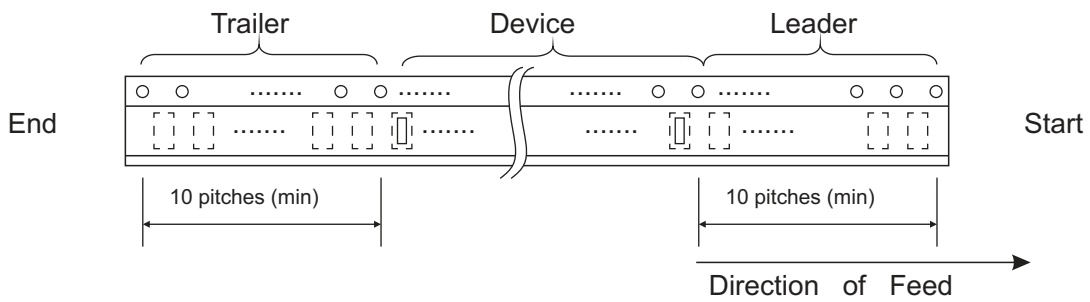
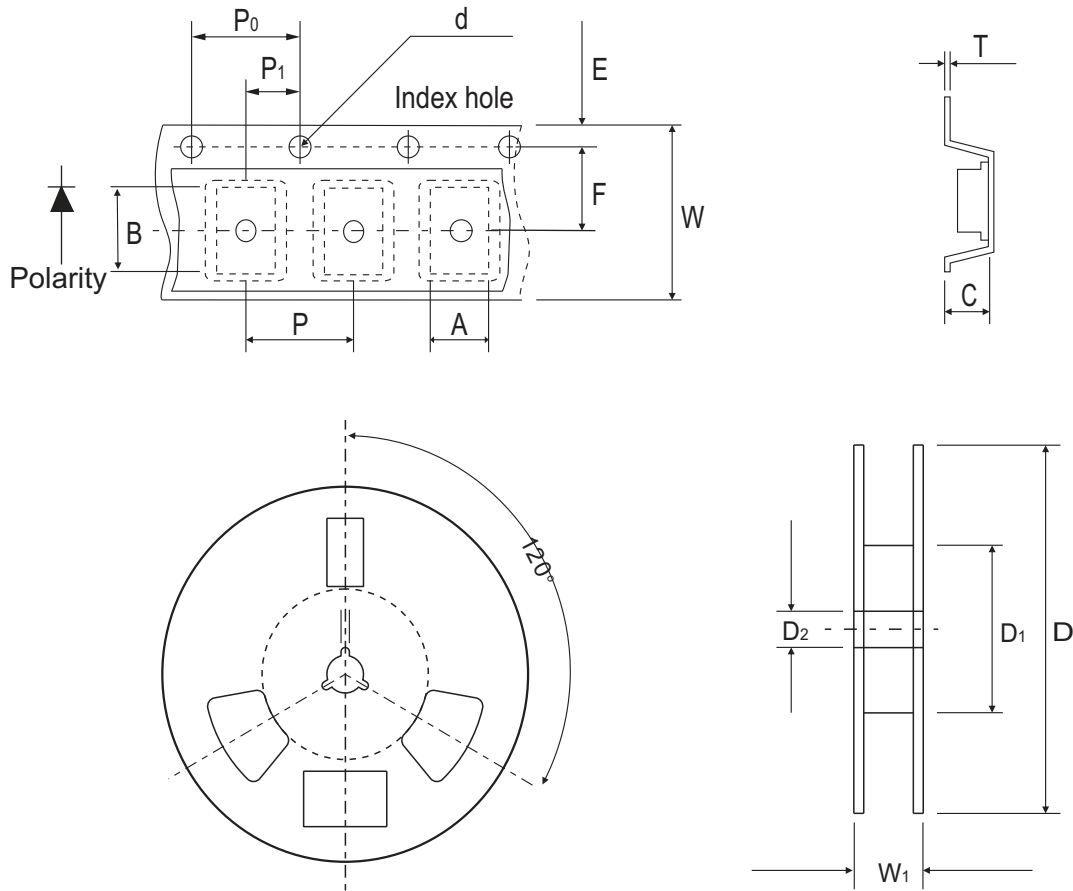


Fig.5 Typical Reverse Characteristics



Reel Taping Specification



SOD-323	SYMBOL	A	B	C	d	D	D1	D2
	(mm)	1.47 ± 0.10	2.95 ± 0.10	1.15 ± 0.10	1.50 ± 0.10	178 ± 1	62.0 MIN.	13.0 ± 0.50
	(inch)	0.057 ± 0.004	0.116 ± 0.004	0.045 ± 0.004	0.059 ± 0.004	7.008 ± 0.040	2.44 MIN.	0.512 ± 0.0197

SOD-323	SYMBOL	E	F	P	P_0	P_1	W	W_1
	(mm)	1.75 ± 0.10	3.50 ± 0.10	4.00 ± 0.10	4.00 ± 0.10	2.00 ± 0.10	8.00 ± 0.30	11.4 ± 0.04
	(inch)	0.069 ± 0.004	0.138 ± 0.004	0.157 ± 0.004	0.157 ± 0.004	0.079 ± 0.004	0.315 ± 0.012	0.449 ± 0.0016

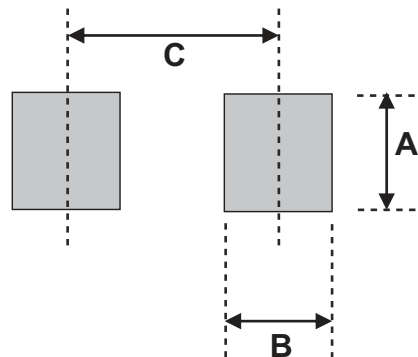
Marking Code

Park Number	Marking Code
CDBFN120-HF	12
CDBFN130-HF	13
CDBFN140-HF	14
CDBFN150-HF	15
CDBFN160-HF	16
CDBFN180-HF	18
CDBFN1100-HF	10



Suggested PAD Layout

SIZE	SOD-323	
	(mm)	(inch)
A	1.500	0.059
B	1.000	0.039
C	1.300	0.051



Standard Packaging

Case Type	Qty per Reel	Reel Size
	(Pcs)	(inch)
SOD-323	3000	7