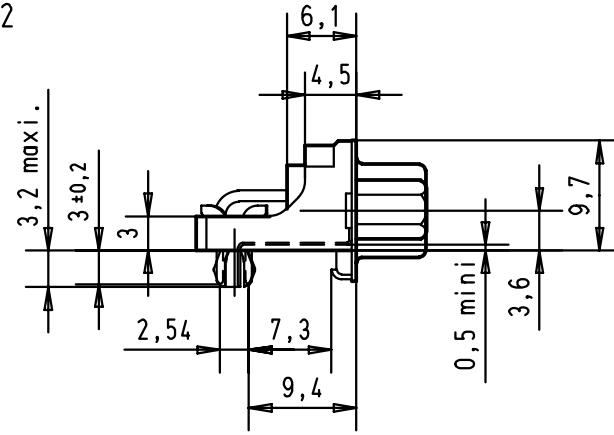
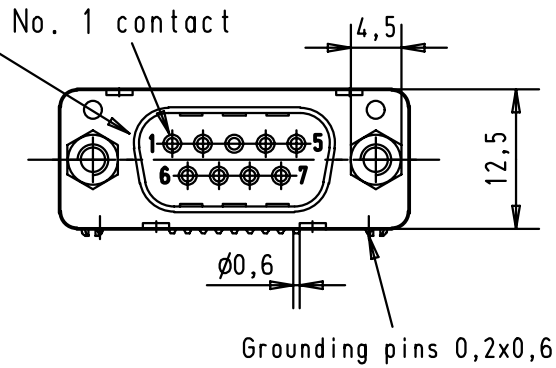
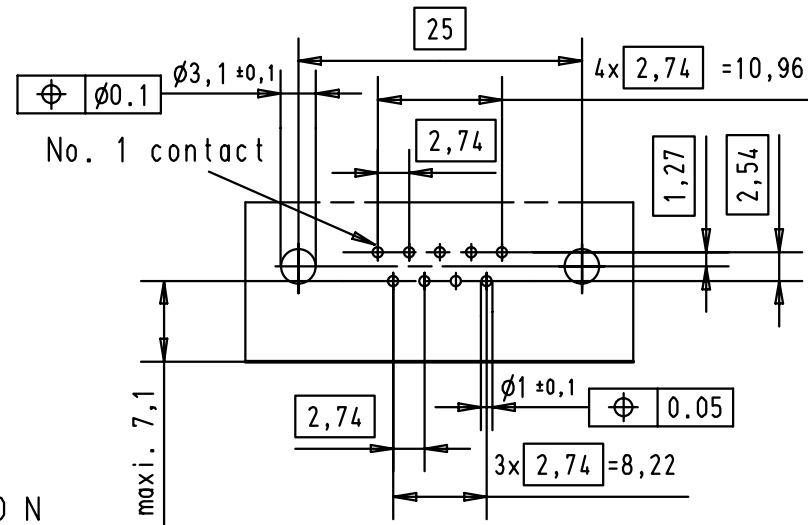
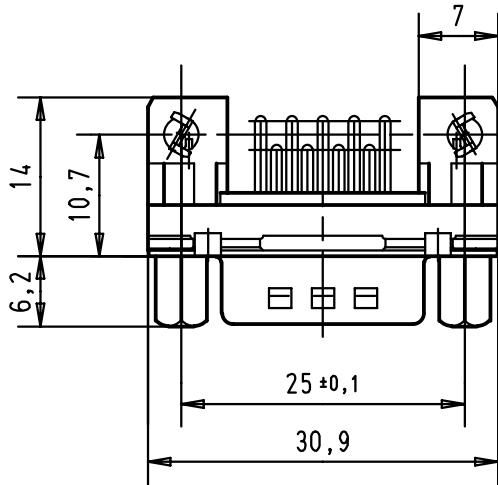


Mating face according to MIL-C-24308 / DIN 41 652 / CECC 75301-802



Printed board layout (1,6 $\pm$ 0,2 thick)  
View component side  
(PCB plating = Tin)

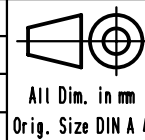


Mounting force on Printed board : 25 - 80 N

A

09 66 162 6817	4-40 UNC	2				
09 66 162 7817	4-40 UNC	3	29749	14-FEB-02	JB	
09 66 162 5817	4-40 UNC	0,76 $\mu$ m Au	29733	23-NOV-01	JB	
Part number	screw-lock	Performance level	Mod.	Dat.	Name	

	Dat.	Name
Detail.	23-NOV-01	JB
Insp.		
Stand.		
HARTING EURL F-95972 Paris		



D-Sub male low profile 9 poles with solder pins, screw-lock, board lock and grounding pins	Maßstab/ Scale
	1,5:1
TB 09 66 162 X81x	Blatt/ Page
Sub.	5