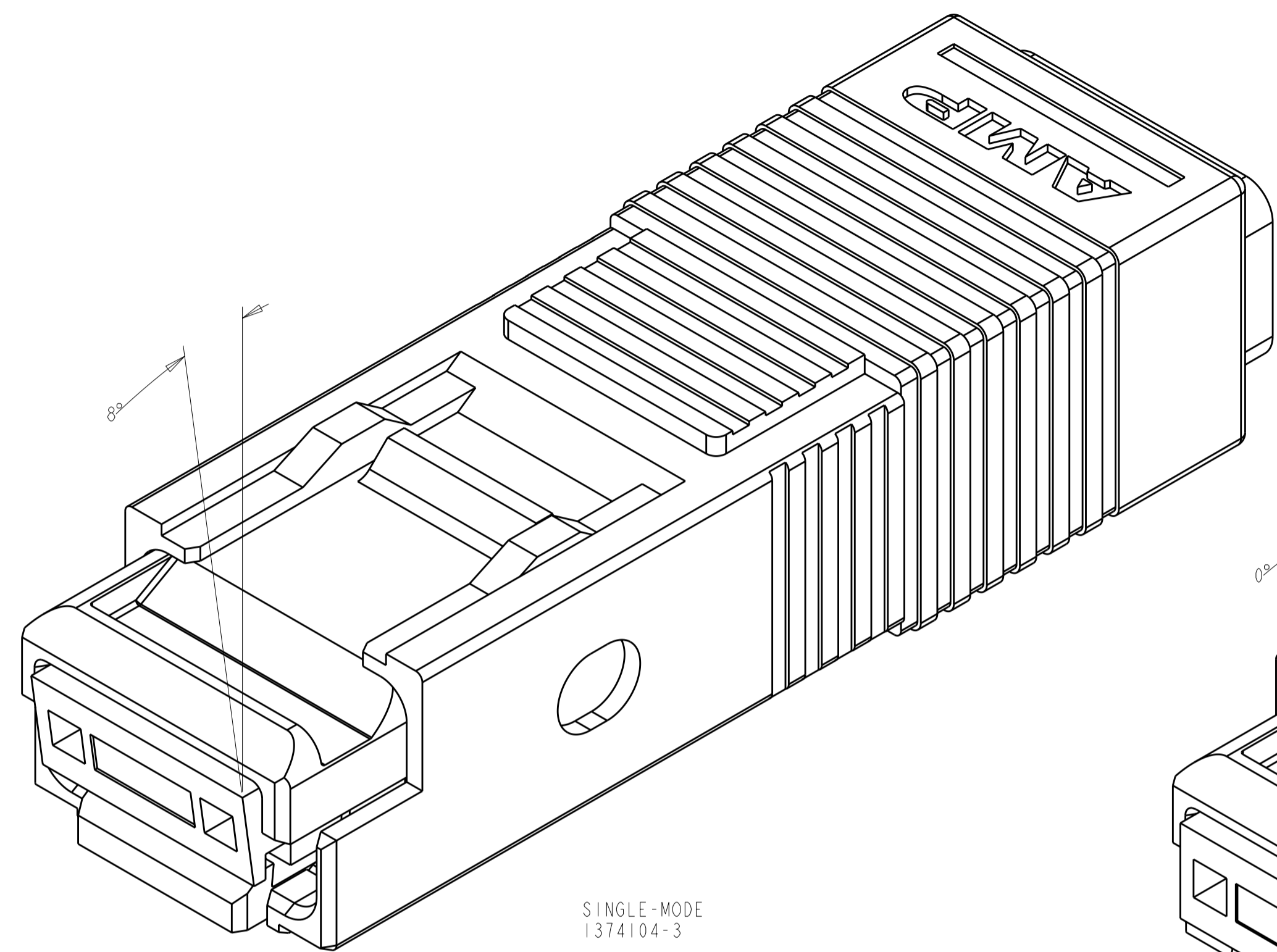
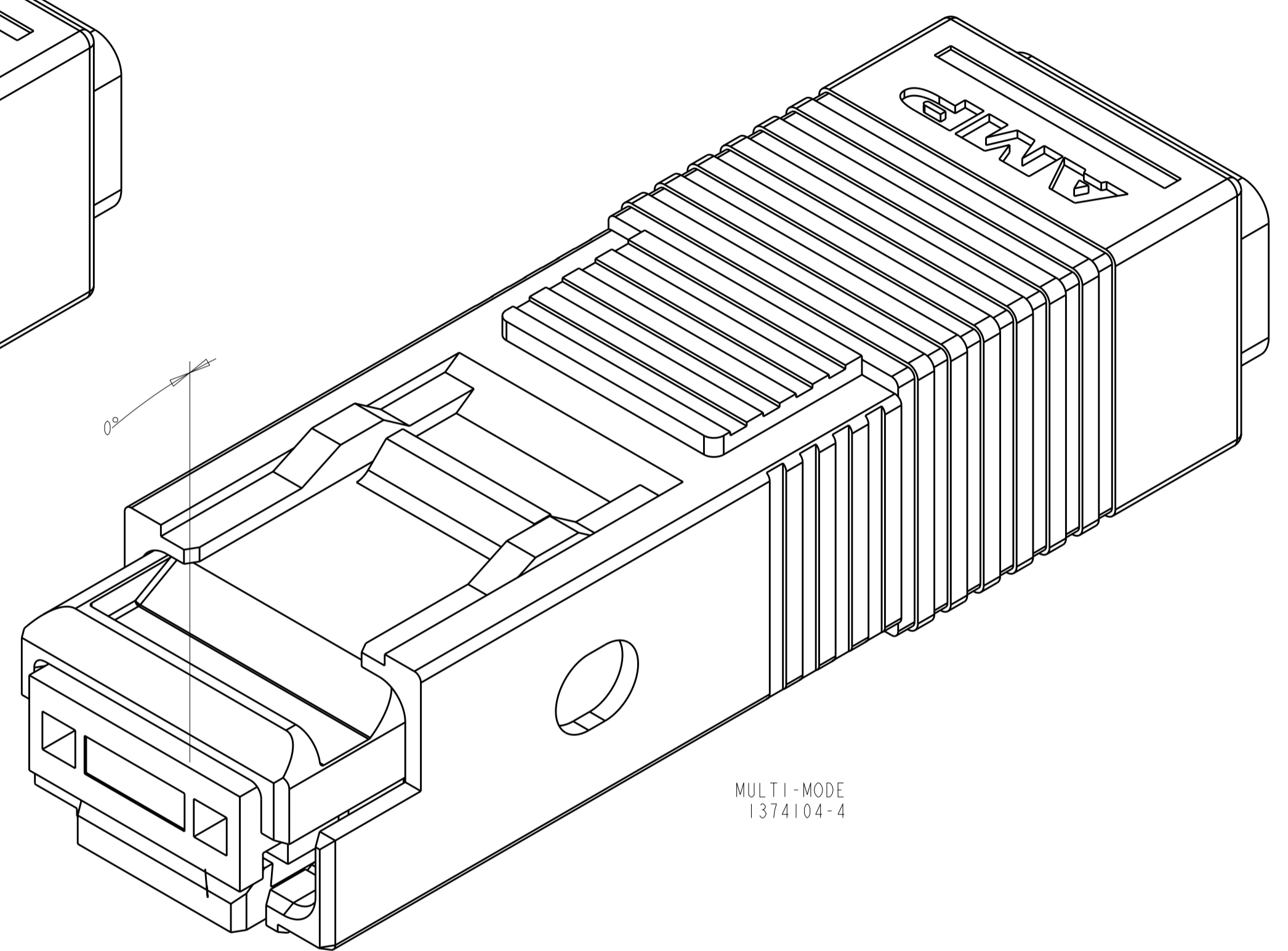


THIS DRAWING IS UNPUBLISHED. RELEASED FOR PUBLICATION 2009
 © COPYRIGHT 2009 BY TYCO ELECTRONICS CORPORATION. ALL INTERNATIONAL RIGHTS RESERVED.

LOC	DIST	REVISIONS			
P	LTR	DESCRIPTION	DATE	DWN	APVD
	D	REV PER ECN-0UB0-0136-01	16FEB2001	LM	SH
	DI	REVISED PER ECO-10-000445	23JAN2010	KK	HMR



SINGLE-MODE
1374104-3



MULTI-MODE
1374104-4

- 1 BULK PACK 25 PIECES.
- 2 OBSOLETE PARTS: OBSOLETE CIS STREAMLINING PER D.RENAUD/D.SINISI

1 2	OBSOLETE	MULTI-MODE	1374104-4
1		SINGLE-MODE	1374104-3
SUPERSEDED BY -3	1	SINGLE-MODE	1374104-2
SUPERSEDED BY -4	1	MULTI-MODE	1374104-1
		FIBER TYPE	PART NUMBER

<small>THIS DRAWING IS A CONTROLLED DOCUMENT FOR TYCO ELECTRONICS CORPORATION. IT IS SUBJECT TO CHANGE AND THE CONTROLLING ENGINEERING ORGANIZATION SHOULD BE CONTACTED FOR THE LATEST REVISION.</small>		DWN S.HILKER 01DEC99 CHK S.Hilker APVD E.ABENDSCHEIN 01DEC99	Tyco Electronics Tyco Electronics Corporation Harrisburg, PA 17105-3608
DIMENSIONS: mm	TOLERANCES UNLESS OTHERWISE SPECIFIED: 0 PLC ± 1 PLC ±0.5 2 PLC ±0.13 3 PLC ±0.013 4 PLC ±0.0001° ANGLES ± FINISH	PRODUCT SPEC APPLICATION SPEC WEIGHT	NAME DUMMY LIGHTRAY MPX CONNECTOR SIZE CAGE CODE DRAWING NO RESTRICTED TO A2 00779 C-1374104 -
MATERIAL		CUSTOMER DRAWING	SCALE 10:1 SHEET 1 OF 1 REV DI