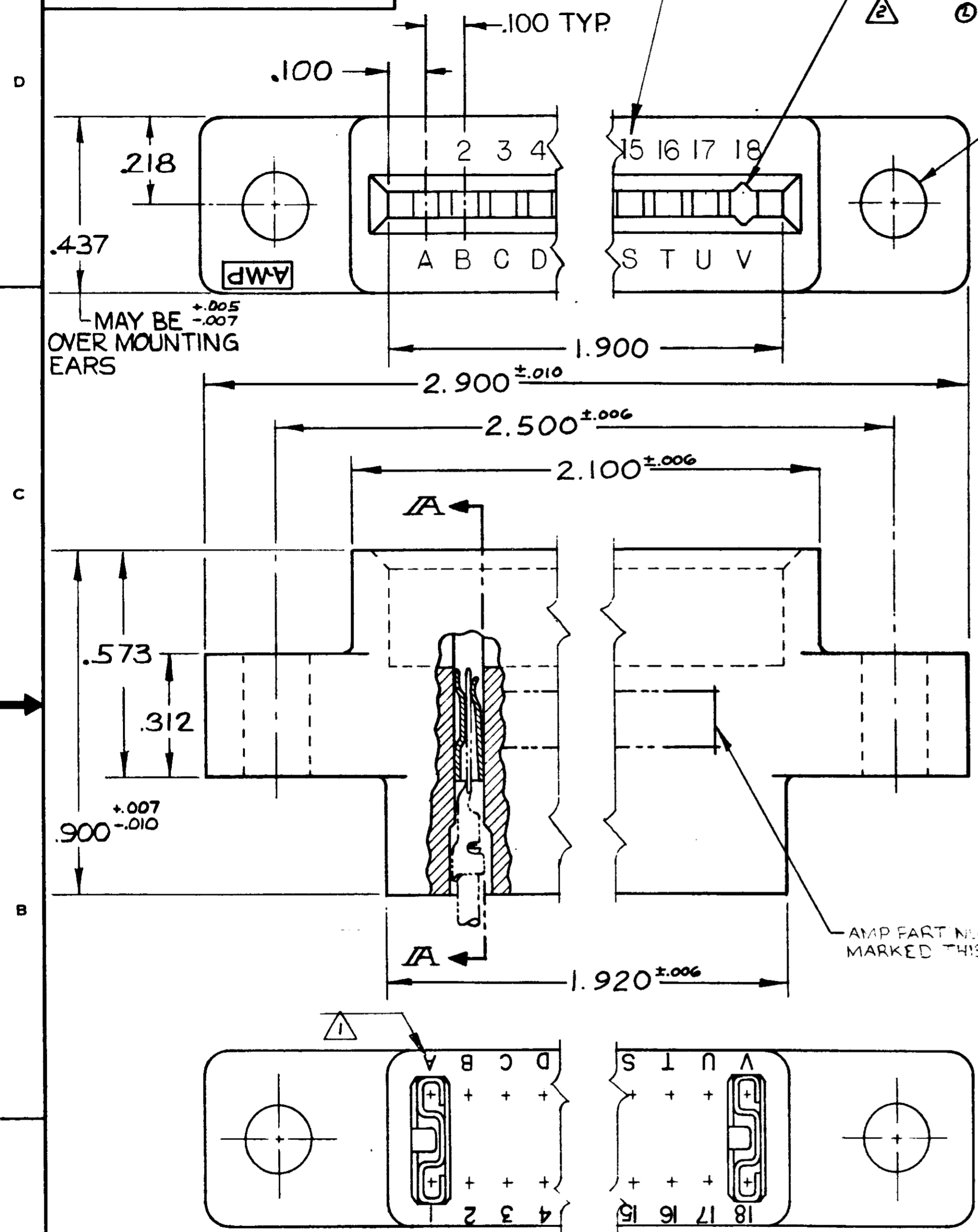


© 1963 BY AMP INCORPORATED. ALL RIGHTS RESERVED. AMP PRODUCTS COVERED BY PATENTS AND/OR PATENTS PENDING. APPROVED PER GOVT CONTRACT NO.

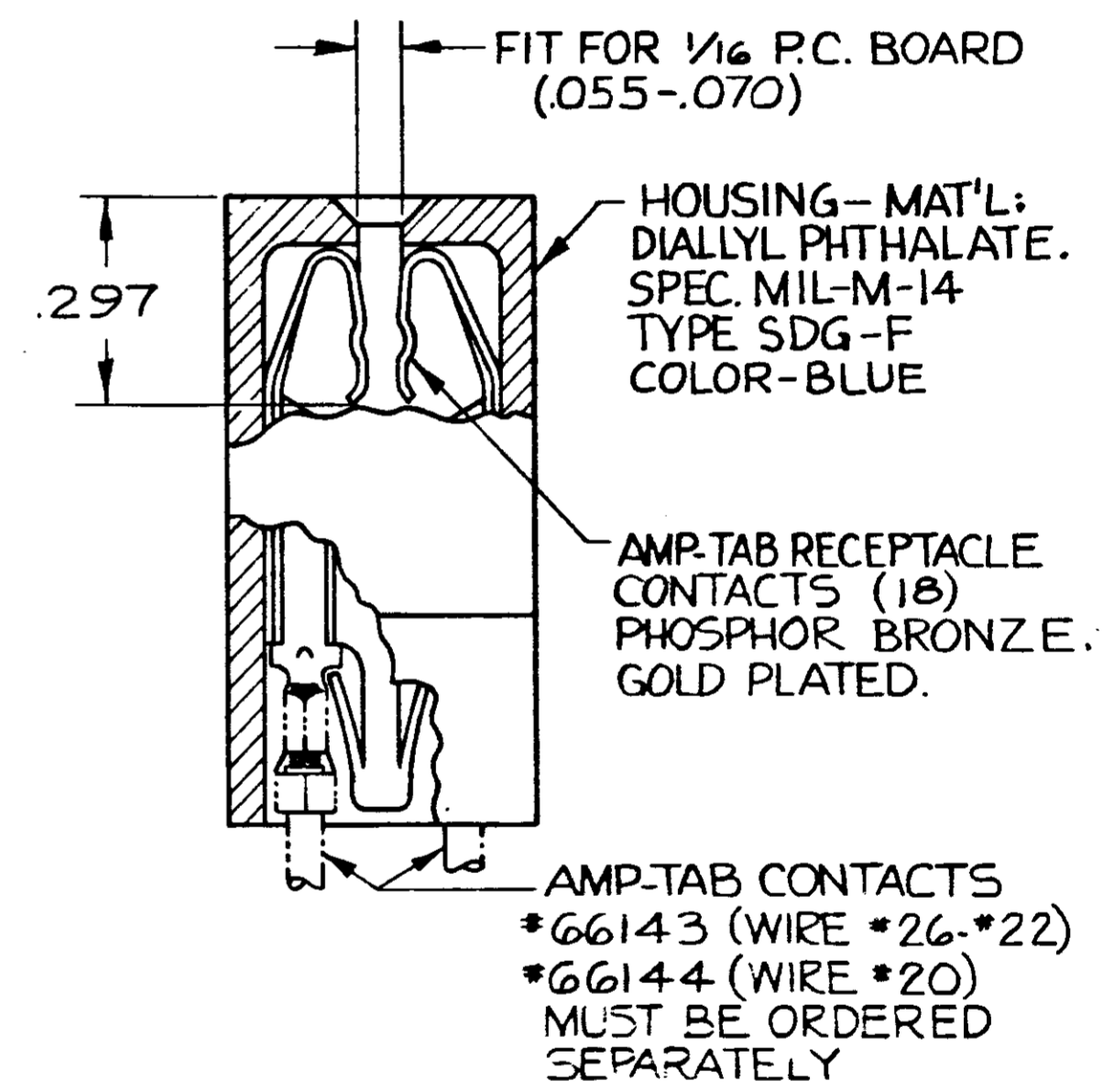
REVISIONS				
ZONE	LTR	DESCRIPTION	DATE	APPROVED
✓	R	REVISED PER 0600-3683-95 TA	10-95	JWARNER
	S	ECO-08-020973	PY:11-08	JW

CAVITY IDENTIFICATION ON P/N (1) 582555-1 ONLY.



Obs. ~~582555-2~~ 1. SAME AS -1 EXCEPT. 2. "J" DIA. HOLES = .128

F-582555-1 1. SAME AS -1 EXCEPT TO HAVE CAVITY IDENTIFICATION ON TOP SURFACE OF HOUSING.



SECTION A-A

AMP PART NUMBER AND DATE CODE MARKED THIS AREA

NOTE:
 ⚠ UPPER CASE LETTERS, OMIT LETTERS G, I, O, & Q. CIRCUIT CAVITY IDENTIFICATION MARKING PER MIL-C-21097.
 ⚠ GROOVES FOR "ON CONTACT KEYING" AMP'S OPTION DEPENDING ON METHOD OF MANUFACTURE. FOR "ON CONTACT" KEYING
 Ⓞ USE KEYING PLUG P/N 583487-1. (MUST BE ORDERED SEPARATELY)
 3. LASER MARKING ACCEPTABLE FOR ALL MARKING

UNLESS OTHERWISE SPECIFIED DIMENSIONS ARE IN INCHES TOLERANCES ON FRACTIONS DECIMALS ANGLES ± # ± .005 ± #		CONTRACT NO.		AMP INCORPORATED -ADDYSBURG, PENNSYLVANIA	
MATERIAL SEE CALLOUT		DR. <i>f. reich</i>	DATE 6-7-67	NAME 18 POSITION AMP-TAB CONNECTOR .100 CENTERS DUAL	
HEAT TREAT //		CHK. <i>L. Wade</i>	DATE 11-3-67	SIZE CODE IDENT NO. NUMBER	
FINISH SEE CALLOUT		APPC. <i>Paulman</i>	DATE 11-2-67	C 00779	582555
		DSGN ENGR.		REV S	
		DSGN APPR.		SCALE 4 - 1	
		CHKR APPR.			

NUMBER CUS. 582555