



**ANATECH ELECTRONICS INC**  
RF & Microwave Filters & Products

## 8 MHz LC Band Pass Filter

**Part Number: AE8B5446**



### Electrical Specifications

**Center Frequency:** 8 MHz  
**3dB Passband:** 6.72-9.53 MHz  
**Insertion Loss:** 4.0dB Max.  
**Return Loss:** 14dB Min.  
**Rejection1:** ≥40dB @ 5.68 MHz  
**Rejection2:** ≥40dB @ 11.268 MHz  
**Impedance:** 50 Ohms

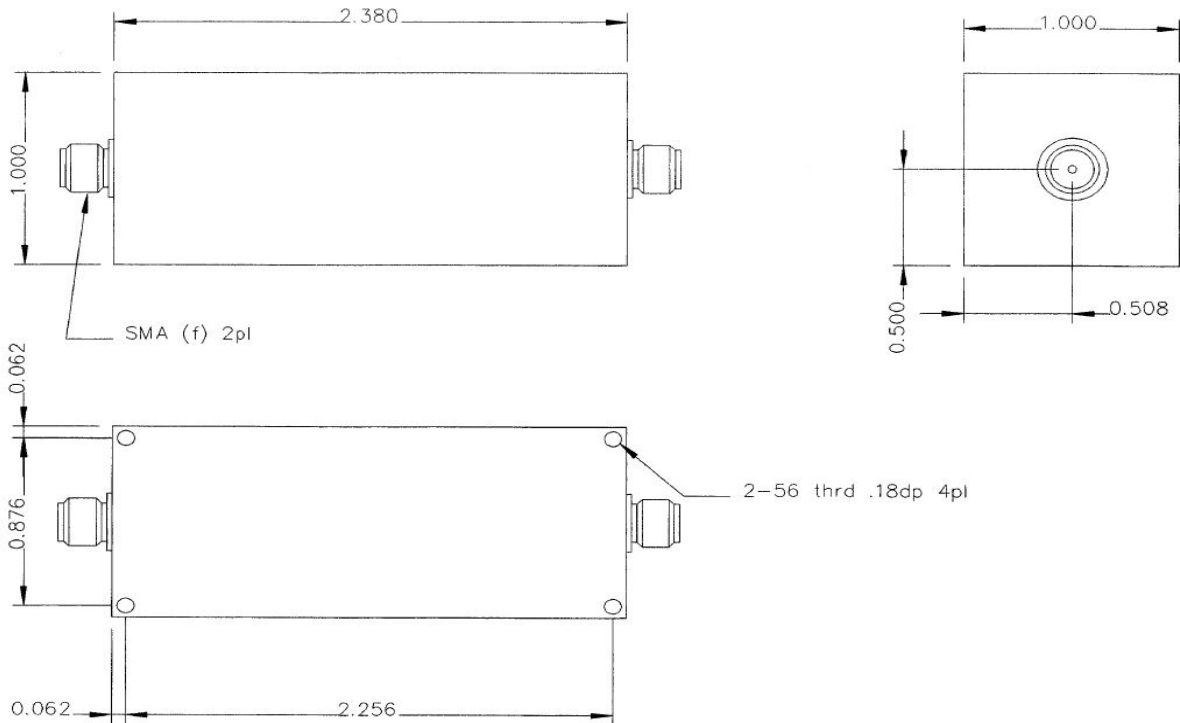
### Mechanical

**Mounting Method:** Threaded Holes  
**Connector Type:** SMA(F)  
**Dimensions:** 2.38" X 1.0" x 1.0".

### Environmental

**Operating Temperature:** -25°C to +70°C  
**Storage Temperature:** -40°C to +90°C  
**Shock:** 10 G. 11ms  
**Vibration:** 10 G. 5 to 200Hz

### Outline Drawing:



Tolerance: +/-0.01 inches [+/- 0.3mm]

Angles: +/- 1 Deg.

\*Tolerance as shown unless otherwise specified in the datasheet electrical specification tables above.

\*When max dimensions are called out the above tolerances do not apply as long as it is under the max call out.

**70 Outwater Lane Phone: (973) 772-4242**  
**Garfield, NJ 07026 Fax : (973) 321-3941**

**Email: [sales@anatechelectronics.com](mailto:sales@anatechelectronics.com)**  
**Web: [www.anatechelectronics.com](http://www.anatechelectronics.com)**