

4

3

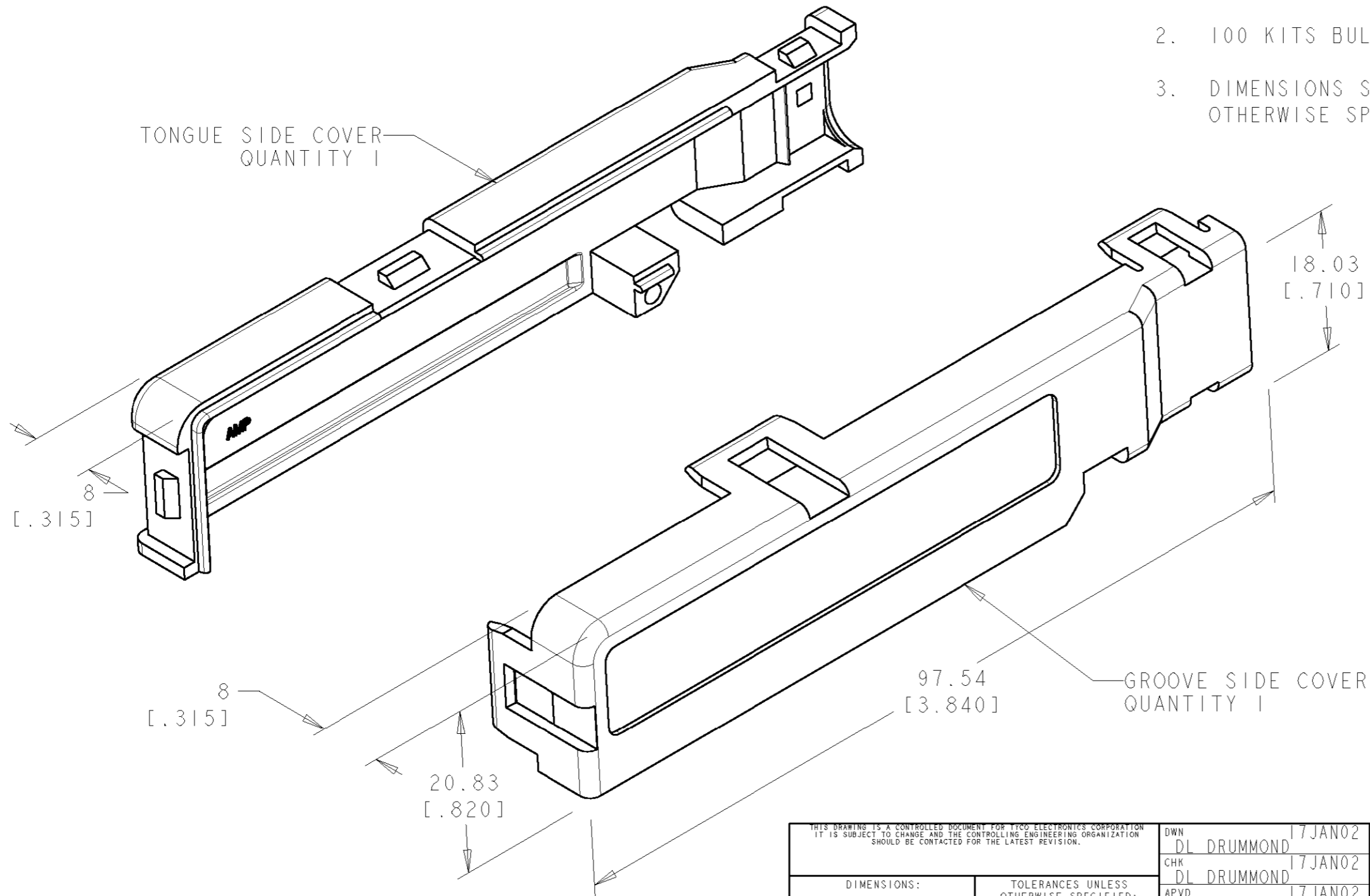
2

1

THIS DRAWING IS UNPUBLISHED. RELEASED FOR PUBLICATION 20
© COPYRIGHT 20 BY TYCO ELECTRONICS CORPORATION. ALL RIGHTS RESERVED.

LOC	DIST	REVISIONS			
P	LTR	DESCRIPTION	DATE	DWN	APVD
AA	20				
		O	RELEASED PER EC 0S15-0006-02	17JAN2002	DLD RPM
		A	REVISED PER EC 0S15-0190-02	02JUL2002	DLD RPM

- COVERS SHIPPED NOT ASSEMBLED.
- 100 KITS BULK PACKED.
- DIMENSIONS SHOWN ARE FOR REFERENCE ONLY UNLESS OTHERWISE SPECIFIED.



AS SHOWN	1339519-1
DESCRIPTION	PART NUMBER

<small>THIS DRAWING IS A CONTROLLED DOCUMENT FOR TYCO ELECTRONICS CORPORATION IT IS SUBJECT TO CHANGE AND THE CONTROLLING ENGINEERING ORGANIZATION SHOULD BE CONTACTED FOR THE LATEST REVISION.</small>		DWN	DL DRUMMOND	17JAN02	Tyco Electronics Harrisburg, PA 17105-3608
DIMENSIONS: mm [INCHES]		CHK	DL DRUMMOND	17JAN02	
		APVD	RP McCRAW	17JAN02	
TOLERANCES UNLESS OTHERWISE SPECIFIED: 0 PLC ±- 1 PLC ±- 2 PLC ±- 3 PLC ±- 4 PLC ±- ANGLES ±-		PRODUCT SPEC	NAME		
MATERIAL		APPLICATION SPEC	COVER KIT, 90 DEGREE, 50 POSITION, CHAMP		
POLYPHENYLENE OXIDE		WEIGHT	SIZE		
FINISH		A3 00779			CAGE CODE
-		C=1339519			DRAWING NO
-		CUSTOMER DRAWING			RESTRICTED TO
-		SCALE 2:1			SHEET 1 OF 1
-		REV A			