

DRAWING MADE IN THIRD ANGLE PROJECTION

3

2

1

LOC L 37

THIS DRAWING IS UNPUBLISHED. RELEASED FOR PUBLICATION . 19 .  
 © COPYRIGHT 19 BY AMP INCORPORATED, HARRISBURG, PA. ALL INTERNATIONAL RIGHTS RESERVED. AMP PRODUCTS MAY BE COVERED BY U.S. AND FOREIGN PATENTS AND/OR PATENTS PENDING.

PART NO.	FIG.	A DIM
867157-1	I	.115DIA.
867157-2	II	.170DIA.

REVISIONS						
P	F	ZONE	LTR	DESCRIPTION	DATE	APPROVED
		0		RELEASED WAS SK-01930A-2	RN 7/2/81	M.B.
		A		REV. & ADDED DIM.	RN 7/2/81	M.B.

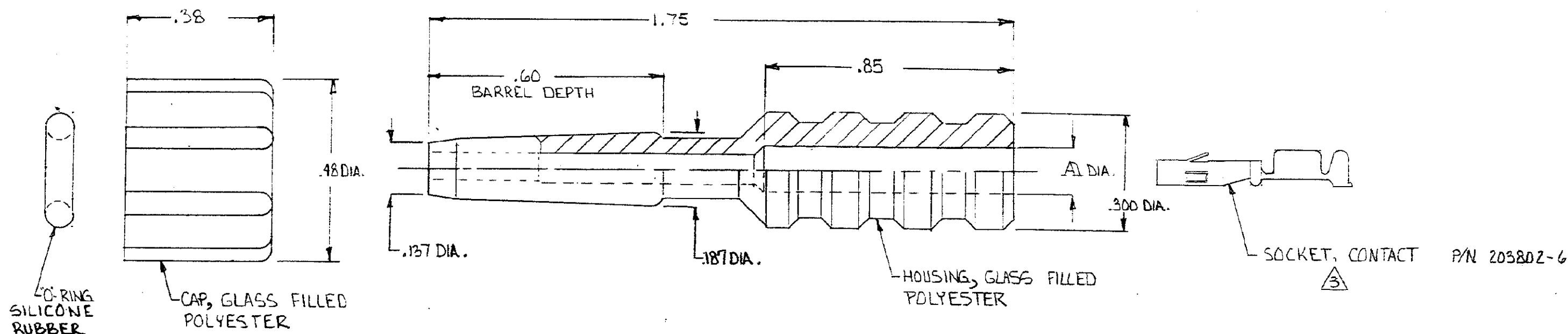
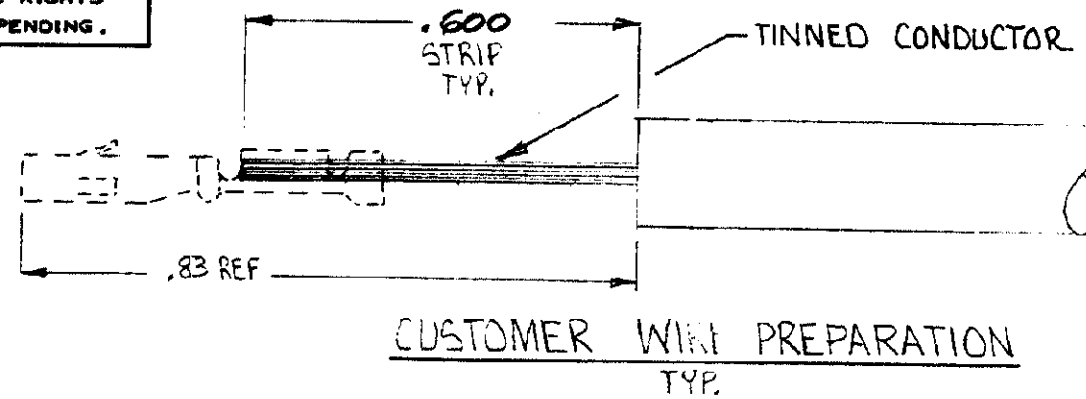


FIG. I

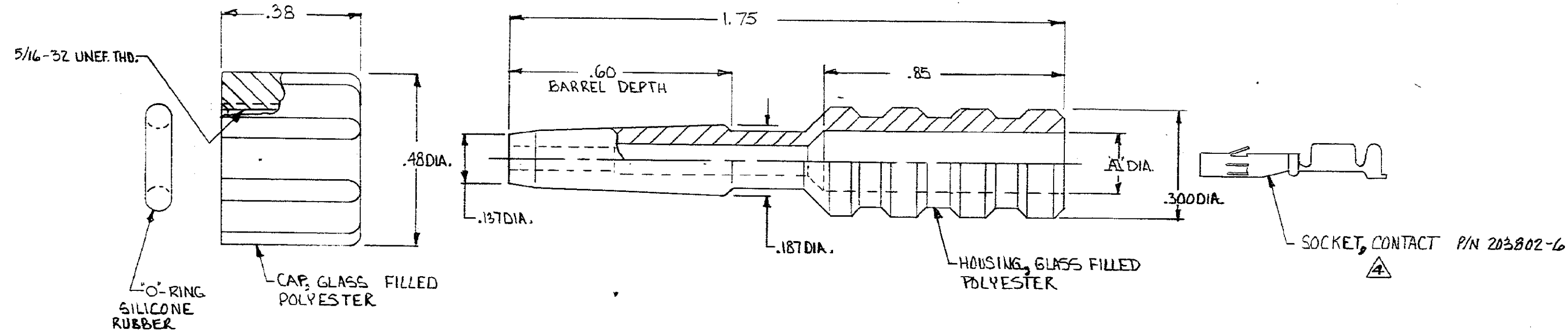


FIG. II

1. HAND TOOL: AMP 90260-1
2. EXTRACTION TOOL: AMP 91038-3
- ⚠ CONTACT TO ACCEPT #20-#22 AWG. WIRE, WITH MAX. INSULATION DIA. OF .105
- ⚠ CONTACT TO ACCEPT #20-#22 AWG. WIRE, WITH MAX. INSULATION DIA. OF .160
5. TO MATE WITH 867156 & 867158

UNLESS OTHERWISE SPECIFIED DIMENSIONS ARE IN INCHES. TOLERANCES ON: DECIMALS .XX ± .03 ANGLES .XX ± .015		CONTRACT NO		PART NO	
MATERIAL		DR <i>M. J. 7-6-81</i>		AMP   AMP INCORPORATED Harrisburg, Pa. 17105	
FINISH		CHK		NAME	
		APPD <i>M. Gardner 7/2/81</i>		COMMERCIAL PLUG KIT	
		APPD		LGH	
		DSGN APPD		SIZE C	
		OTHER APPD		FSCM NO 00779	
				DRAWING NO 867157	
				SCALE	
				SHEET 1/1 REV A	