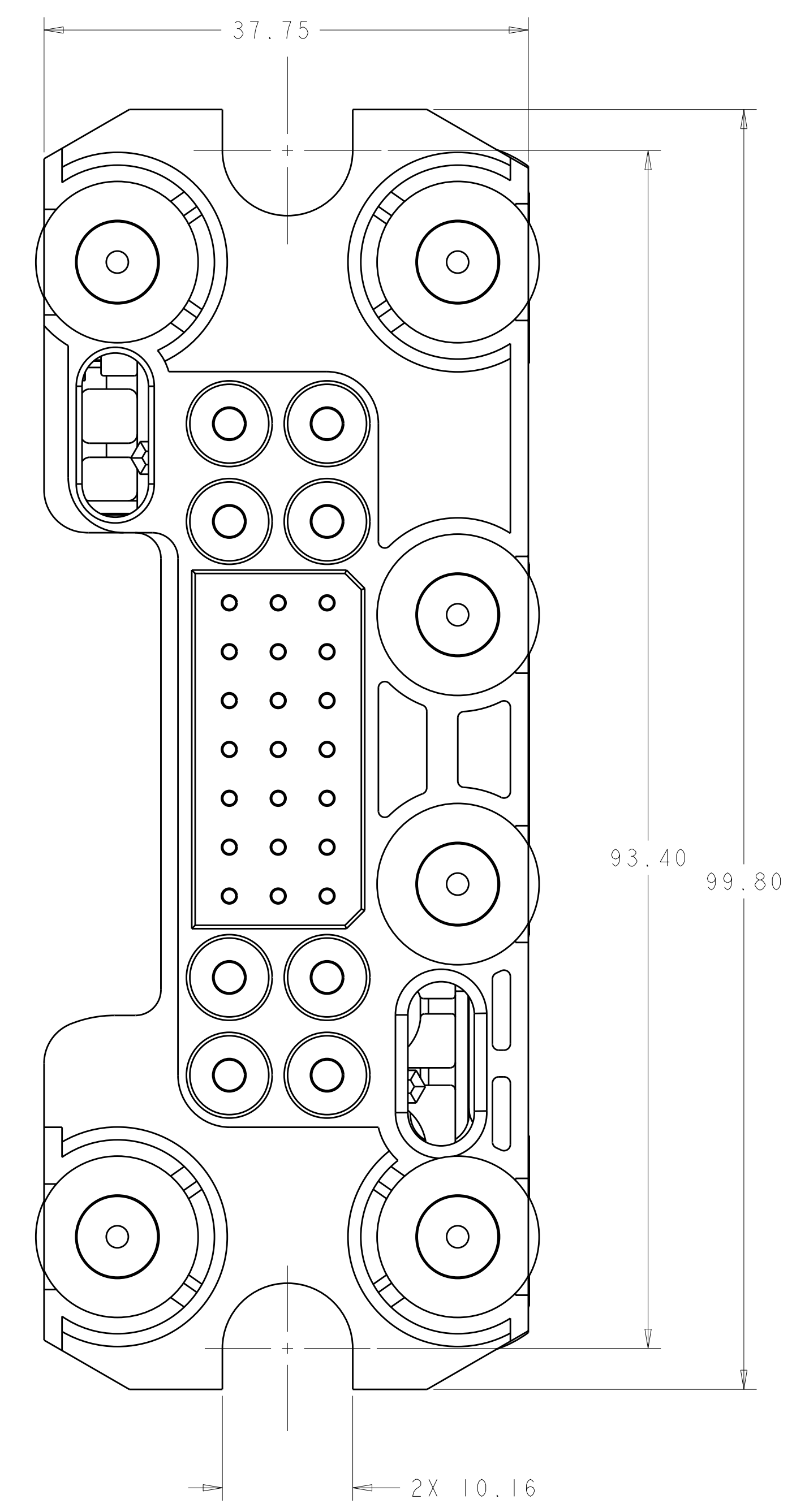
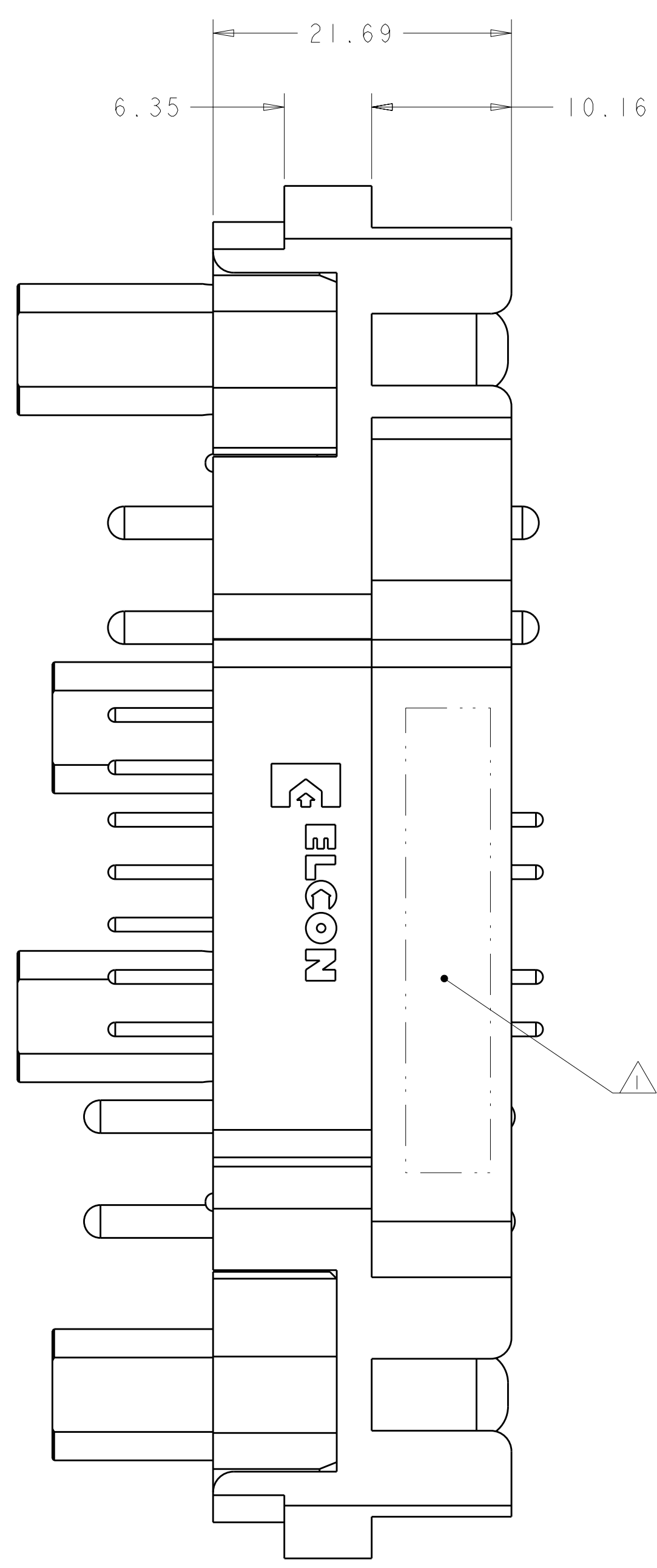
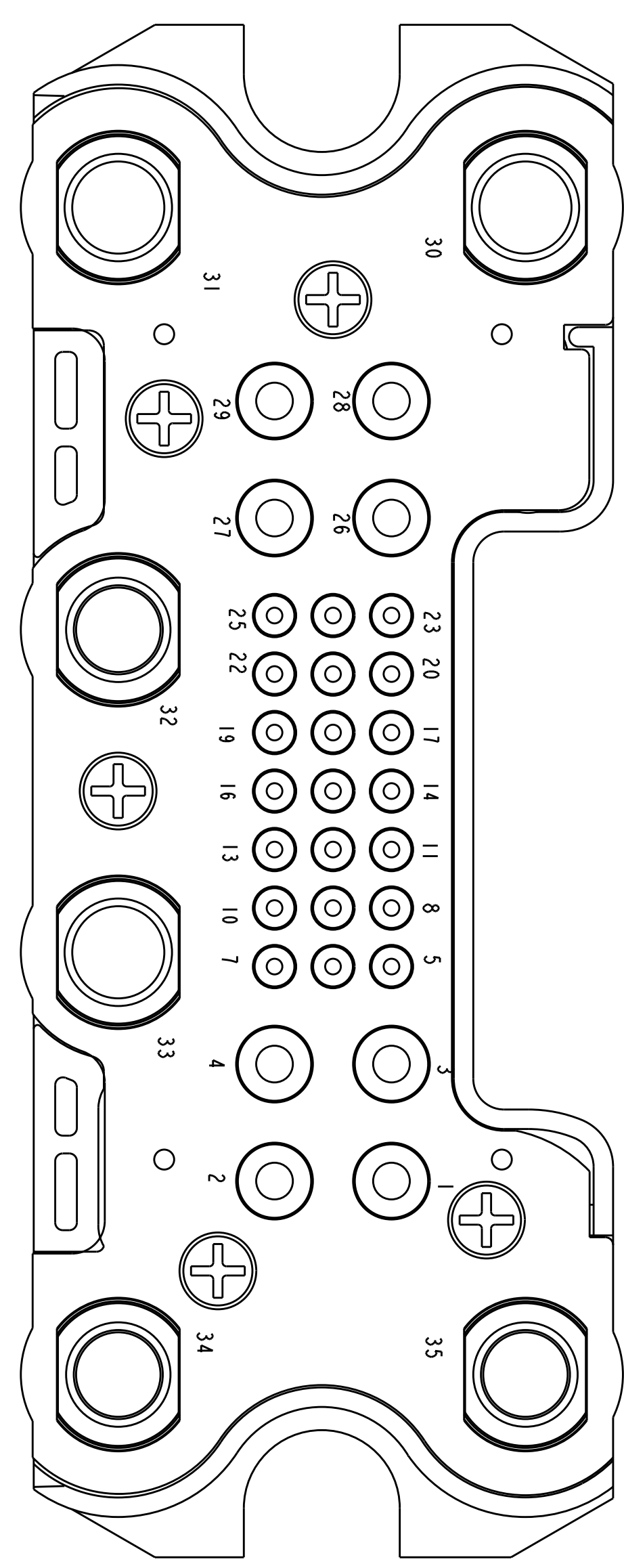
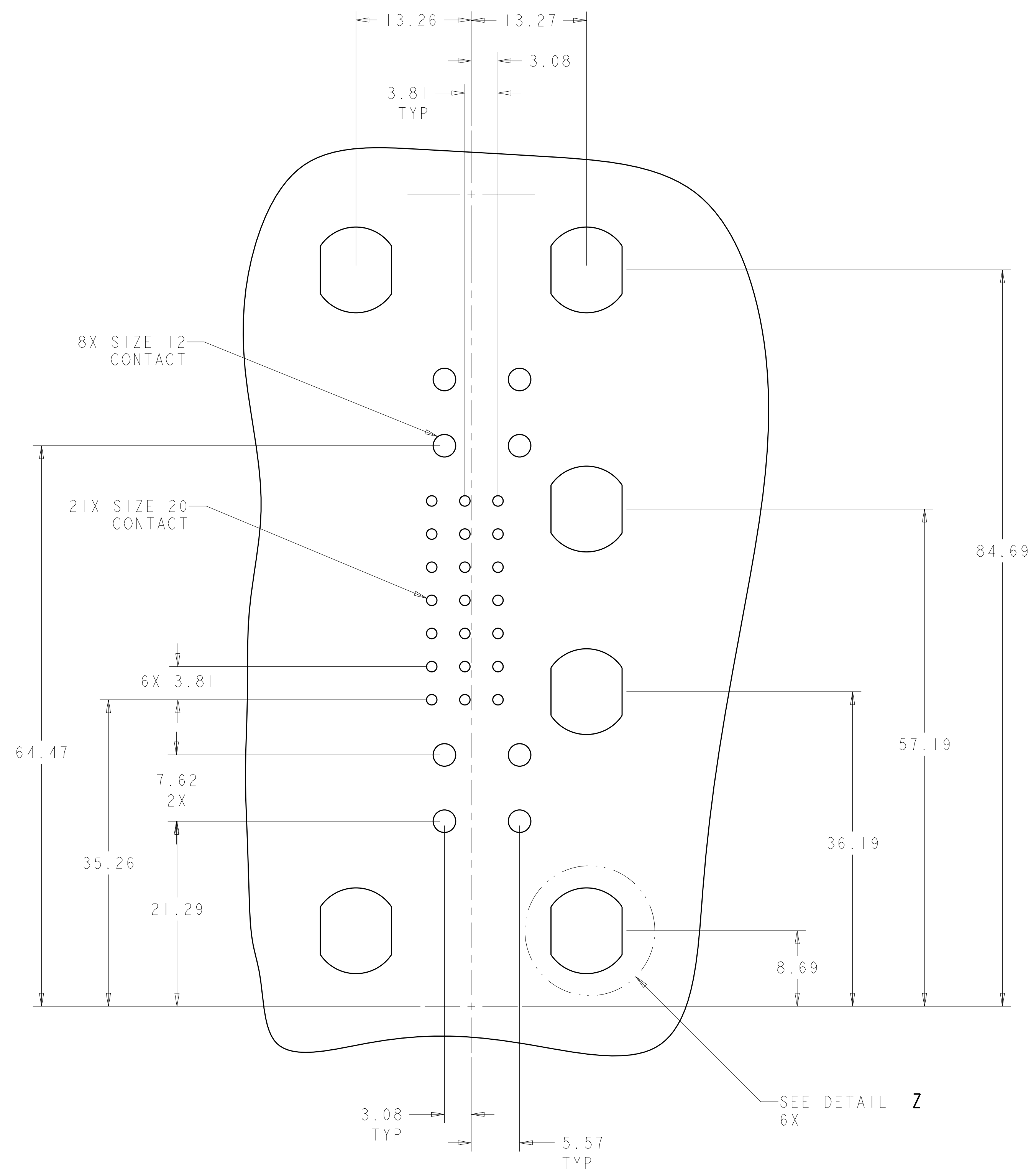


LOC	DIST	REVISIONS			
GP	00	REV	DATE	BY	APP'D
		A	21 JUL 2009	RG	DO
		B	14 JAN 2011	RG	DO



<small>THIS DRAWING IS UNPUBLISHED. RELEASED FOR PUBLICATION BY TYCO ELECTRONICS CORPORATION. ALL RIGHTS RESERVED.</small> <small>IT IS SUBJECT TO CHANGE WITHOUT NOTICE AND WITHOUT OBLIGATION. SHOULD BE CONTACTED FOR THE LATEST REVISION.</small>		DWN: R. GRZYBOWSKI 21 JUL 2009 CHK: D. ORRIS 21 JUL 2009 APVD: M. PERCHERIE 21 JUL 2009	Tyco Electronics Harrisburg, PA 17105-3608
DIMENSIONS: mm 	TOLERANCES UNLESS OTHERWISE SPECIFIED: 9 PLC ±.3 7 PLC ±.3 5 PLC ±.25 4 PLC ±. ANGLES ±. FINISH ±.	NAME: PIN CONNECTOR ASSEMBLY SCREW MOUNT CUSTOM DRAWER, CAT65 PRODUCT SPEC: 108-2285 APPLICATION SPEC: 114-13206 WEIGHT: - CUSTOMER DRAWING	SIZE: A CAGE CODE: 100779 DRAWING NO: C=1926037 SCALE: 3:1 SHEET: 1 OF 2 REV: B

LOC	DIST	REV	DATE	BY	APPD
GP	00				
DESCRIPTION			DATE	DWN	APPD
SEE SHEET 1			-	-	-

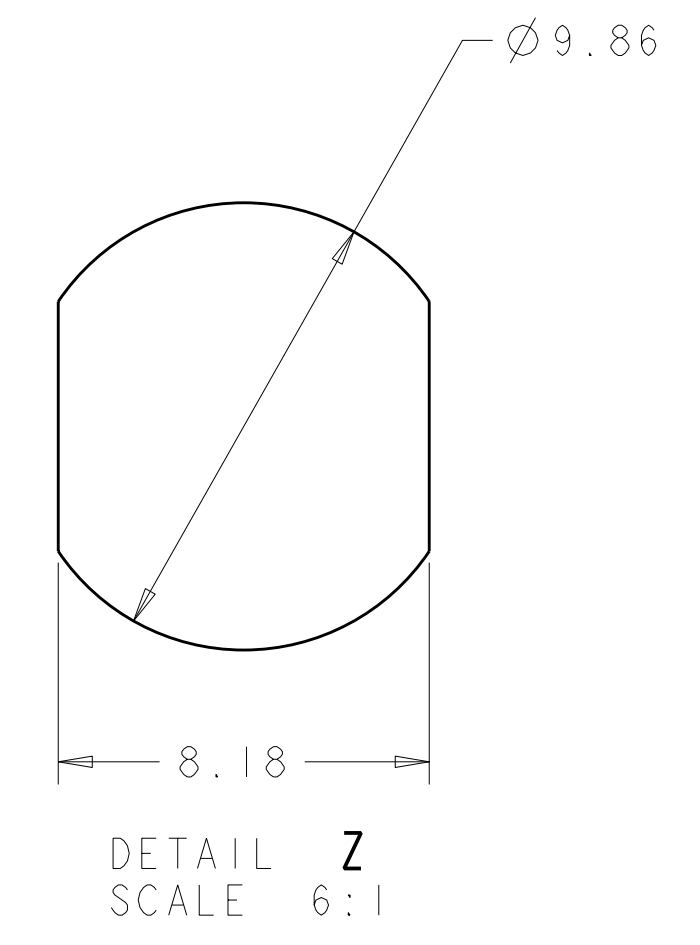


SUGGESTED PCB LAYOUT
 VIEWED FROM CONNECTOR MOUNTING SIDE

HOLE SIZE No.20
 FINISHED HOLE: $\varnothing 1.19 \pm 0.08$
 DRILLED HOLE: $\varnothing 1.151 \pm 0.013$
 COPPER PLATE: 0.025 MIN (PER SURFACE)
 TIN PLATE: 0.076 MIN (PER SURFACE)

HOLE SIZE No.12
 FINISHED HOLE: $\varnothing 2.59 \pm 0.08$
 DRILLED HOLE: $\varnothing 2.705 \pm 0.013$
 COPPER PLATE: 0.025 MIN (PER SURFACE)
 TIN PLATE: 0.076 MIN (PER SURFACE)

HOLE SIZE No.4
 CLEARANCE HOLE: SEE DETAIL Y



ITEMS PROVIDED TO THIS SPECIFICATION SHALL BE PERMANENTLY IDENTIFIED PER THE FOLLOWING IDENTIFIER:

YEAR 1 WEEK 1
 TYCO ELECTRONICS P/N DATE CODE (e.g. 0225)
 XXXXXXX-X XXXX

2. PART NUMBER CHANGES AND OR DESIGN CHANGES AFFECTING ITEM INTERCHANGEABILITY REQUIRE PRIOR TYCO ELECTRONICS APPROVAL AND AUTHORIZATION BY REVISION TO THIS DRAWING.

3. MATERIAL:
 INSULATOR: THERMOPLASTIC, GLASS REINFORCED, UL RATED 94V-0, COLOR: BLACK
 PIN CONTACTS: COPPER ALLOY
 RETENTION CLIPS: BERYLLIUM COPPER OR STAINLESS STEEL

4. FINISH:
 SIZE No.20 CONTACTS: GOLD PLATE 0.76 μ m MIN THK OVER NICKEL 1.02 μ m MIN THK
 SIZE No.12 AND 4 CONTACTS: SILVER PLATE 5.08 μ m MIN THK OVER NICKEL 1.02 μ m MIN THK

5. PCB TAILS CONTACTS ARE INSERTABLE/NONREMOVABLE:
 SIZE No.20 (ITEM E) LOADED IN POSN. 5, 8, 16 AND 19
 SIZE No.20 (ITEM F) LOADED IN POSN 6, 7, 9 THRU 15, 17, 18, 20 THRU 25
 SIZE No.12 (ITEM H) LOADED IN POSN 1 THRU 4
 SIZE No.12 (ITEM G) LOADED IN POSN 26 THRU 29
 SIZE No.4 (ITEM D) LOADED IN POSN 30, 31 AND 33
 SIZE No.4 (ITEM C) LOADED IN POSN 32, 34 AND 35

6. 15 in lbs MAX. TORQUE APPLIED ON SIZE 1/4 PIN CONTACT.

ITEM	PART NO.	DESCRIPTION	ITEM
5	1766849-1	SCREW, SELF TAPPING	L
8	1650489-1	CLIP, RETENTION, No.12	K
21	1650484-1	CLIP, RETENTION, No.20	J
4	1766217-2	CONTACT, No.12, PCB TAIL	H
4	1766217-1	CONTACT, No.12, PCB TAIL, PREMATE	G
17	1650195-4	CONTACT, No.20, PCB TAIL	F
4	1650195-2	CONTACT, No.20, PCB TAIL, PREMATE	E
3	1766228-1	CONTACT, 1/4" TAPPED M5, 35.66mm LG	D
3	1766227-1	CONTACT, 1/4" TAPPED M5, 33.12mm LG	C
1	1651798-1	HOUSING, PIN, REAR INSERT	B
1	1651797-1	HOUSING, PIN, FRONT	A
-1	PART NO.	DESCRIPTION	ITEM

DIMENSIONS: mm 9 PLC $\pm .3$ 1 PLC $\pm .3$ 2 PLC $\pm .25$ 3 PLC $\pm .25$ 4 PLC $\pm .25$ ANGLES $\pm .1$ FINISH $\pm .1$		TOLERANCES UNLESS OTHERWISE SPECIFIED: 9 PLC $\pm .3$ 1 PLC $\pm .3$ 2 PLC $\pm .25$ 3 PLC $\pm .25$ 4 PLC $\pm .25$ ANGLES $\pm .1$ FINISH $\pm .1$		DWN: R. GRZYBOWSKI 21 JUL 2009 CHK: D. ORRIS 21 JUL 2009 APVD: M. PERCHERIE 21 JUL 2009 NAME: M. PERCHERIE PRODUCT SPEC: 108-2285 APPLICATION SPEC: 114-13206 WEIGHT: - CUSTOMER DRAWING		Tyco Electronics Harrisburg, PA 17105-3608 PIN CONNECTOR ASSEMBLY SCREW MOUNT CUSTOM DRAWER, CAT65 SIZE: 114-13206 CAGE CODE: 100779 DRAWING NO: 1926037 SCALE: 3:1 SHEET 2 OF 2 REV B	
---	--	---	--	---	--	--	--