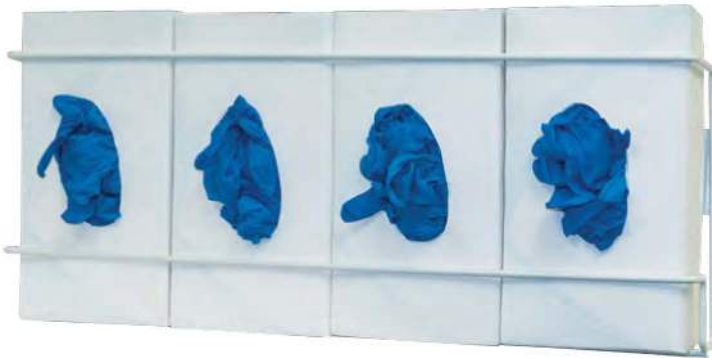
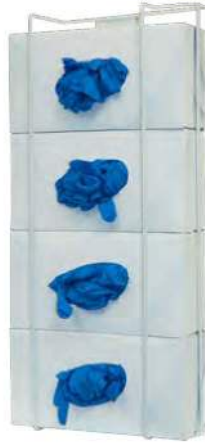




Mounted vertically



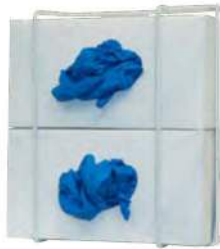
\* Imported

### Related Products (each sold separately):

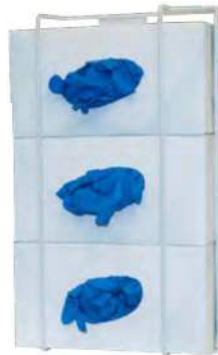
- GL011-0613 : Glove Box Dispenser - Single - Coated Wire
- GL022-0613 : Glove Box Dispenser - Double - Coated Wire
- GL033-0613 : Glove Box Dispenser - Triple - Coated Wire



GL011-0613



GL022-0613



GL033-0613

### Product Description:

\*Imported

- Glove Box Dispenser - Quad
- 2 each per pack
- Holds four boxes of gloves
- Slot holes for vertical or horizontal wall mounting
- White Coated-Wire

### Primary Area for Product Usage:

- Anywhere gloves are needed

### Dispenses:

- Box(es) no larger than 5.31"W x 10.00"H x 3.75"D (13.5 cm x 25.4 cm x 9.5 cm)
- Box(es) no smaller than 4.75"W x 8.25"H x 2.75"D (11.4 cm x 21.0 cm x 7.0 cm)

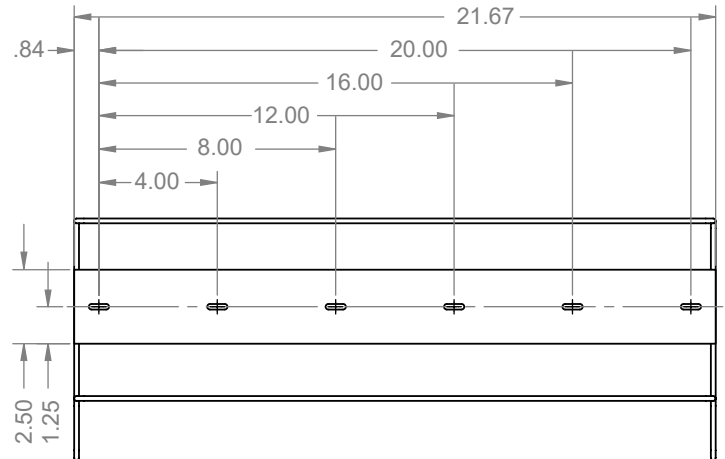
### Package Specifications:

- Package Quantity: 6 per case
- 14"L x 9"W x 23"H (35.6 cm x 22.9 cm x 58.4 cm)
- 11.0 lbs (5.0 kg) - approximated

### Product Specifications (overall external dimensions):

- 21.67"W x 8.1"H x 3.75"D (55.0 cm x 20.7 cm x 9.5 cm)
- 1.6 lbs (0.7 kg) - approximated

### Mounting Specifications:

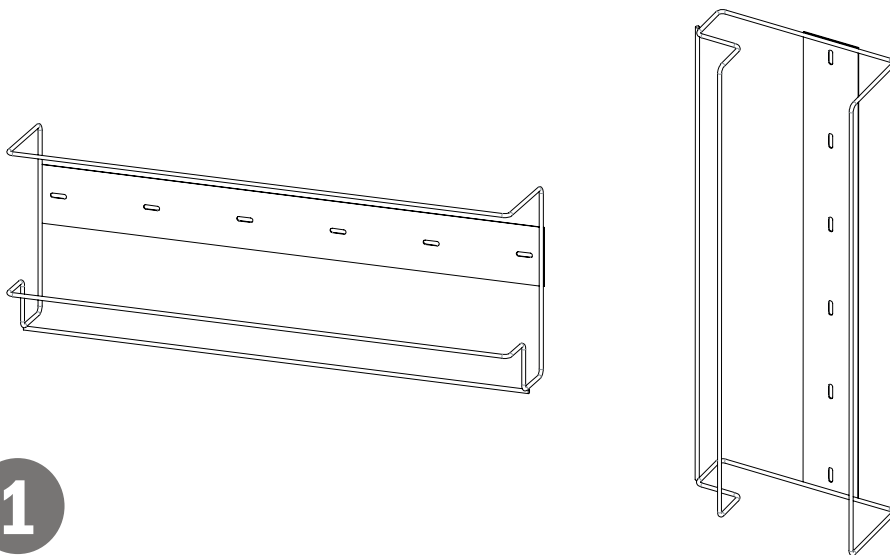




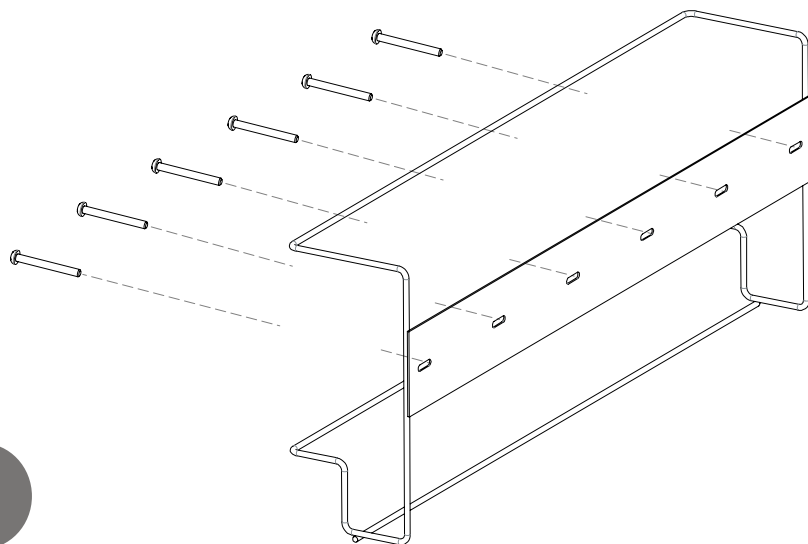
## Installation

Always mount dispensers securely *prior* to loading with product.

- Unique design allows same dispenser to be mounted vertically or horizontally.



- Mount securely to a wall with screws approved and supplied by building maintenance.



### Parts included:

- Dispenser

### Tools Required:

- No tools required to assemble dispenser

## Care and Construction Coated-Wire

### Material Characteristics

### Designed for Long-Term, Heavy-Duty Applications

Dispensers made of wire provide a cost effective alternative and a simple solution for holding glove boxes. Our wire dispensers are made of heavy gauge wire to retain their shape and withstand normal use.

Wire dispensers come in a variety of sizes to fit your needs. Each of our new wire glove box dispensers can be mounted either horizontally or vertically. Single, double, triple, and quad glove box dispensers with their alternative mounting options ensure you have gloves when and where you need them.

### Care and Cleaning

The coated finish resists common chemicals and can be wiped clean with soap and water.