

REVISIONS				
P	LTR	DESCRIPTION	DATE	APVD
B3		REVIEW PER ECR-18-013174	26/11/2018	ST TD

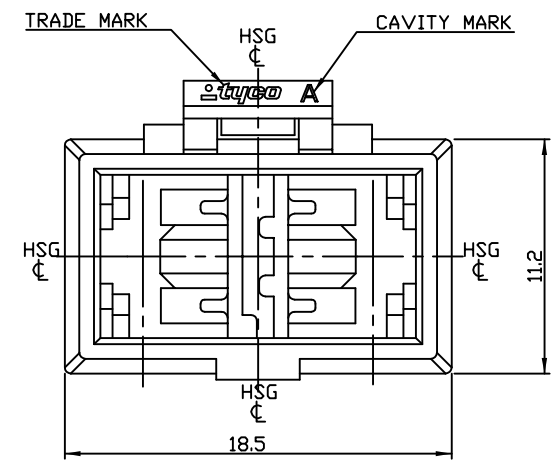
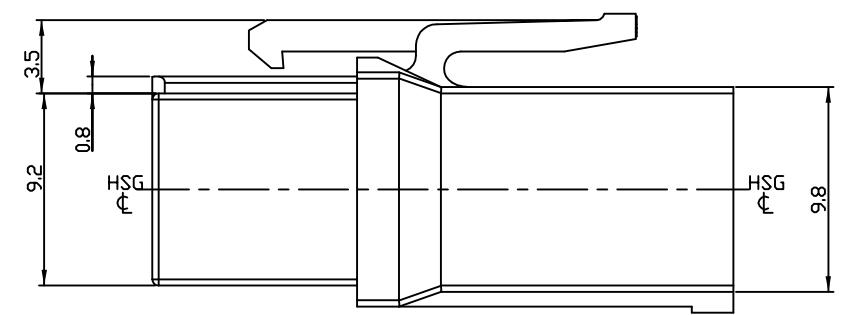
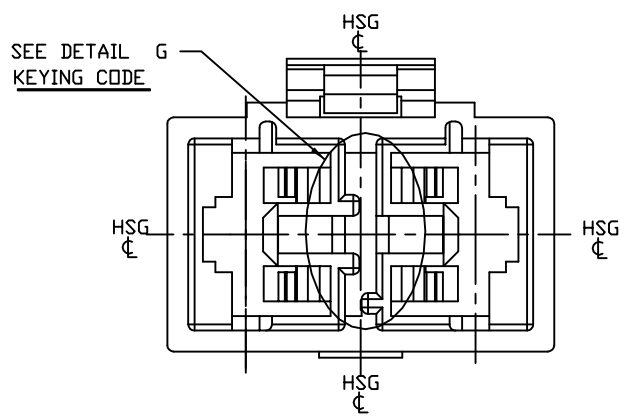
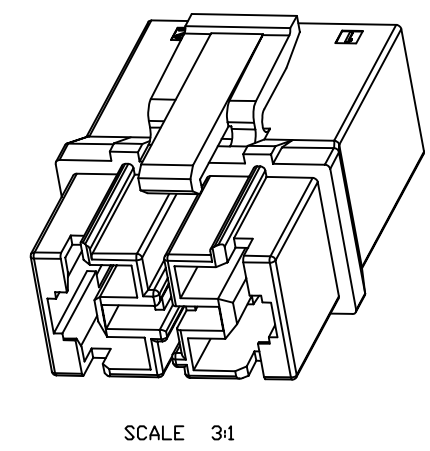
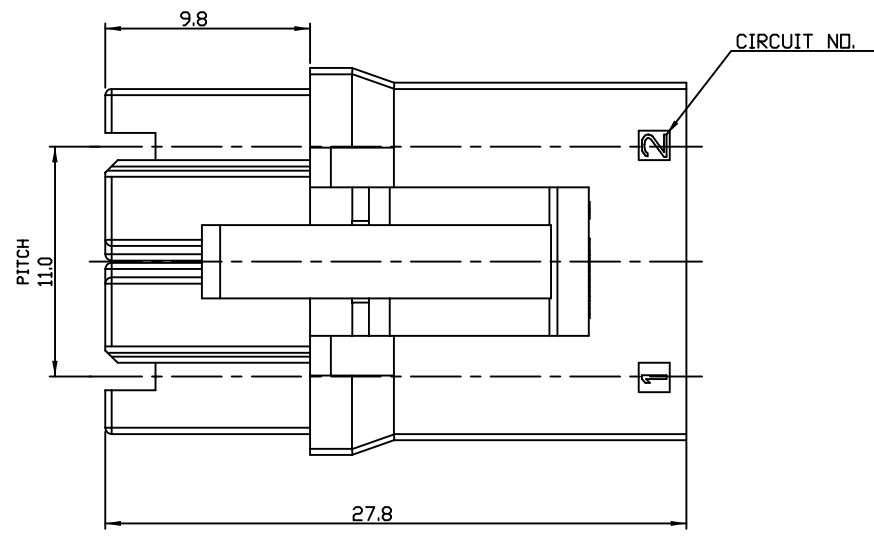
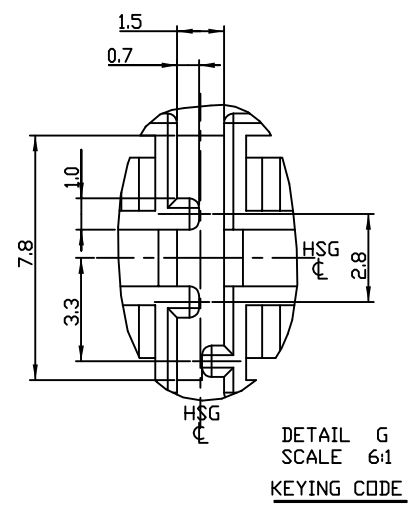
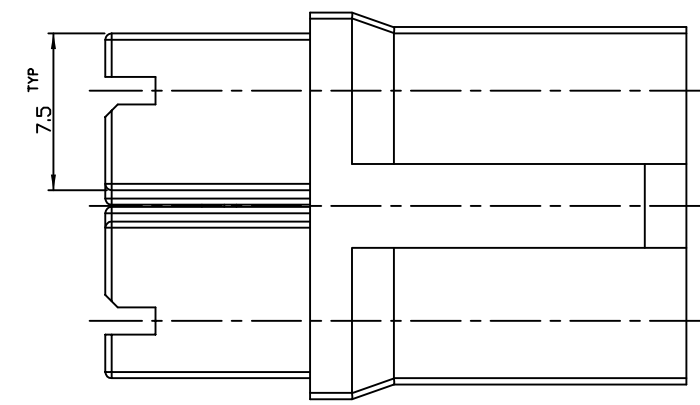


TABLE 1 (SEE DETAIL G)

TYPE	A	B	C	D
KEYING LOCATION				



NOTES  
 1. GENERAL TOLERANCES : ±0.2  
 2. MATERIAL : 6/6 NYLON, UL94V-0  
 3. MATERIAL : PC/PET, UL94V-0  
 PARTS COMPLY WITH GWT 750  
 4. MATING HDR ASS'Y P/N : 1743330-□  
 5. APPLICABLE CONTACT P/N : 1743457-1  
 6. KEYING LOCATION : TABLE 1, DETAIL G

OBSOLETE	P/N	TYPE	MATERIAL	COLOR
	1743419-6	D		BLUE
	1743419-4	C		YELLOW
	1743419-2	B		RED
	1743419-1	A		NATURAL
	1743419-6	D		BLUE
	1743419-4	C		YELLOW
	1743419-2	B		RED
	1743419-1	A		NATURAL

THIS DRAWING IS A CONTROLLED DOCUMENT.

DIMENSIONS: mm	TOLERANCES UNLESS OTHERWISE SPECIFIED.	DWN SC KIM	CHK BW KANG	APVD JK SONG	PRODUCT SPEC	108-61068	APPLICATION SPEC	SIZE A2	CAGE CODE 00779	DRAWING NO. 1743419	RESTRICTED TO
	0 PLC ±										
	1 PLC ±										
	2 PLC ±										
	3 PLC ±										
	4 PLC ±										
	ANGLES ±										
	FINISH										

MATERIAL SEE NOTE

TE Connectivity  
 250 2 POS P-LOCK REC HSG (11mm PITCH)  
 CUSTOMER DRAWING  
 SCALE N/S SHEET 1 of 1 REV B3