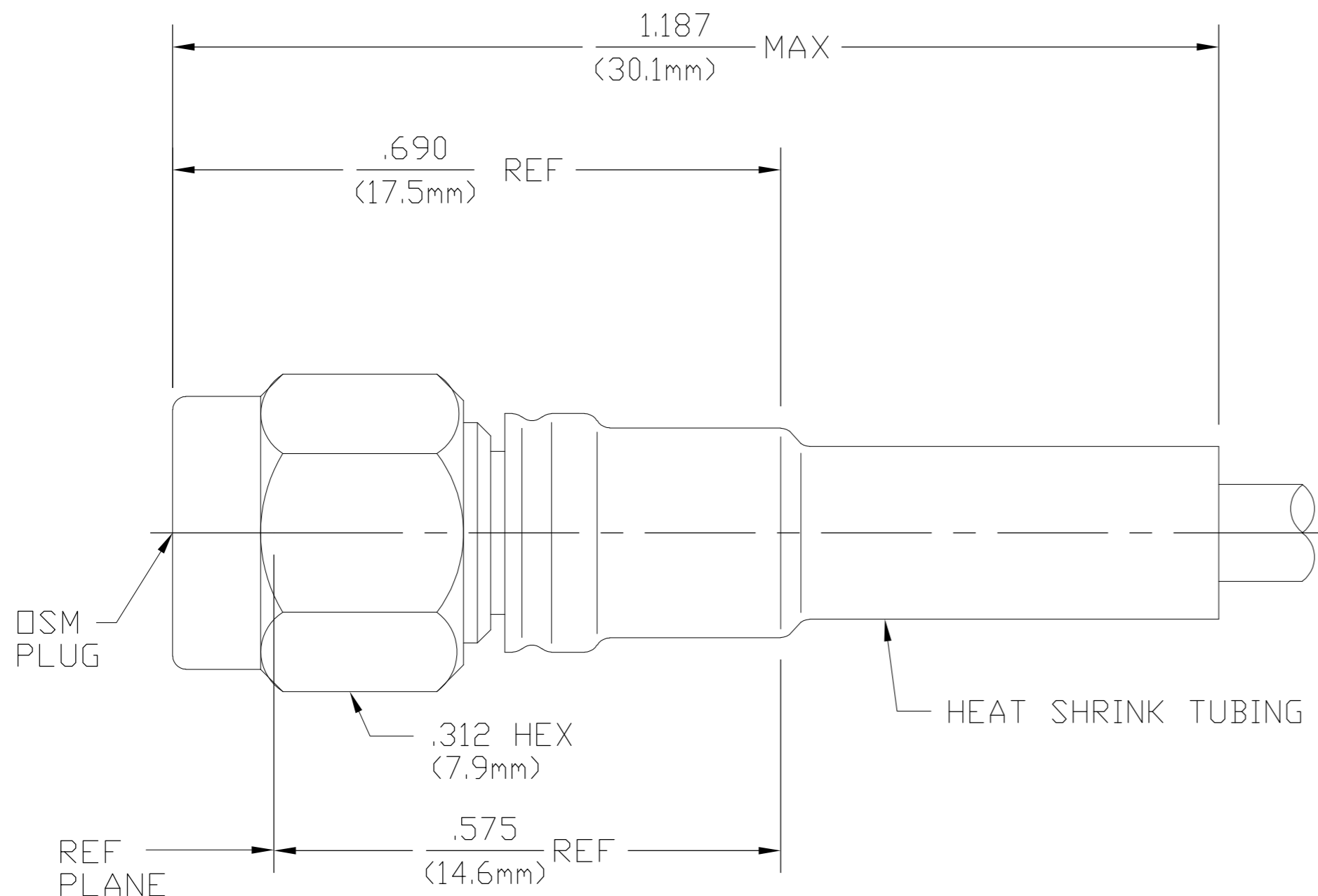


THIS DRAWING IS UNPUBLISHED. RELEASED FOR PUBLICATION  
 © COPYRIGHT - By - ALL RIGHTS RESERVED.

CABLE ENTRY DIAMETER MINIMUM	
CONTACT	.021
HOUSING	.066
FERRULE	.126

LOC	DIST	REVISIONS			
P	LTR	DESCRIPTION	DATE	DWN	APVD
		C2	REVISED PER ECO-11-005033	01APR11	RK HMR



- ① BRASS
- ② STAINLESS STEEL
- ③ BERYLLIUM COPPER
- ④ PTFE
- ⑤ SILICONE RUBBER
- ⑥ GOLD PLATE
- ⑦ NICKEL PLATE
- ⑧ PASSIVATE
- ⑨ POLYOLEFIN COMPOUND

ELECTRICAL	MECHANICAL	ENVIRONMENTAL
Nominal Impedance (Ohms) <u>50</u>	Interface Dimensions MIL-STD-348A, Fig. <u>310.1</u>	TEMPERATURE RATING <u>-65°C TO +165°C</u>
Frequency Range (GHz) DC to <u>12.4</u>	Recommended Mating Torque <u>7 TO 10 INCH/LBS</u>	DURABILITY: 500 CYCLES
Volt Rating (VRMS MAX) @ Sea Level <u>250</u>	Mating Characteristics:	<b>.XXX = in</b> <b>(XX.X) = mm</b>
VSWR <u>1.15 + .02F(GHZ)</u>	Insertion (MAX Lbs) <u>N/A</u>	
Insertion Loss (dB MAX) <u>.06 √ F(GHZ)@6GHZ</u>	Withdrawal (MIN Oz) <u>N/A</u>	
RF Leakage (dB MIN) <u>-60@ 6 to 8 GHZ</u>	Force to Engage and Disengage (In/Lbs MAX) <u>2.0</u>	
Corona, 70,000 Ft (VRMS MIN) <u>190</u>	Center Contact Captivation	
Dielectric Withstanding Voltage (VRMS MIN) @ Sea Level <u>750</u>	Axial (Lbs) <u>N/A</u>	
Contact Resistance (Milliohms MAX)	Radial (In/Oz) <u>N/A</u>	
Center Contact <u>5.0</u>	Cable Retention	
Outer Contact <u>3.0</u>	Axial Force (Lbs) <u>20</u>	
Cable to Housing <u>0.5</u>	Torque (In/Oz) <u>N/A</u>	
RF High Potential @ Sea Level (VRMS MIN @ 5 MHz) <u>500</u>	Weight (Grams) <u>2.7</u>	
I.R.(Megohms MIN) <u>5000</u>		

---	① ⑥	① ⑦	④	① ⑥	① ⑥	③	⑤	1051643-3
⑨	② ⑥	② ⑥	④	① ⑥	① ⑥	③	⑤	1051643-1
SHRINK TUBING	HOUSING	COUPLING NUT	DIELE-CTRIC	CENTER CONTACT	FERRULE	RETAINING RING	GASKET	PART NO.

THIS DRAWING IS A CONTROLLED DOCUMENT.		DWN DRF 10/12/76	<b>STE</b> TE Connectivity	
		CHK KWW 2/17/77		
DIMENSIONS: INCHES		APVD BWC 2/18/77	NAME	
TOLERANCES UNLESS OTHERWISE SPECIFIED:		PRODUCT SPEC		OSM STRAIGHT CABLE PLUG SOLDER ATTACHMENT
0 PLC ± - 1 PLC ± - 2 PLC ± - 3 PLC ± .005 4 PLC ± - ± 1° ANGLES ± - ± 1° FINISH -		APPLICATION SPEC		
MATERIAL		408-4756		SIZE A2
		WEIGHT -		CAGE CODE 00779
		CUSTOMER DRAWING		DRAWING NO C=1051643
		SCALE 5:1		SHEET 1 of 1
				REV C2