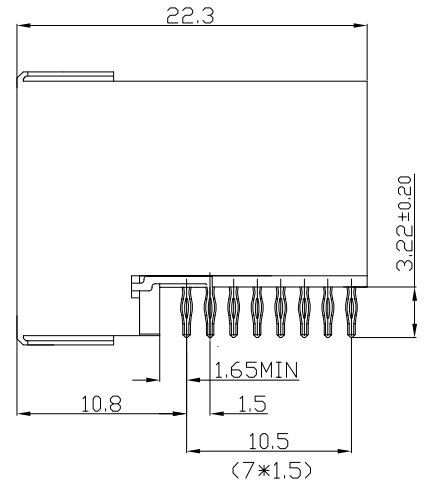
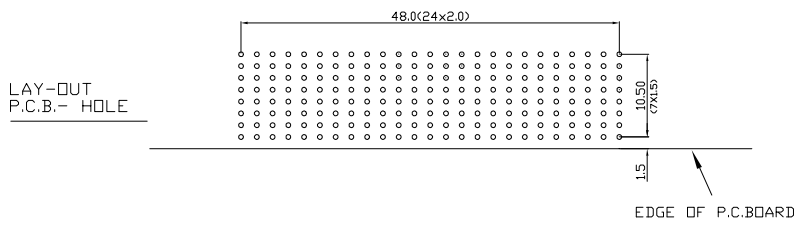
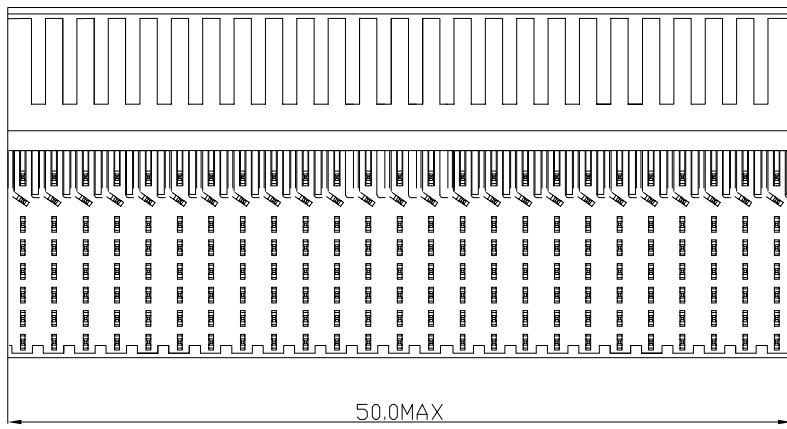
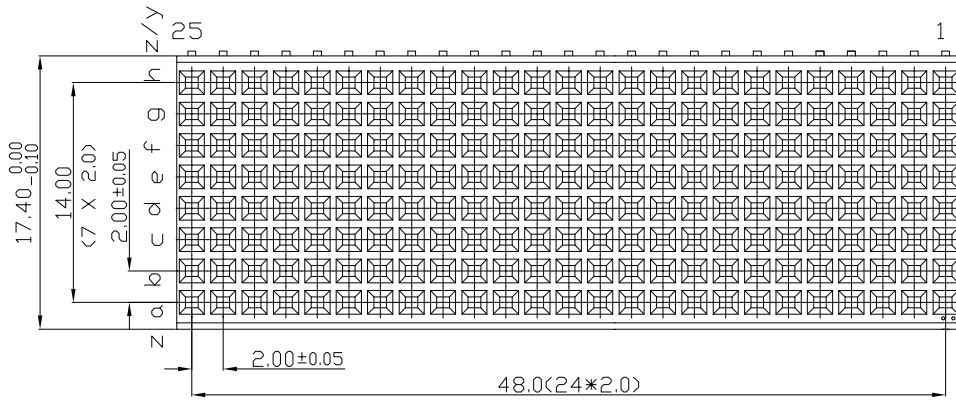


Tous droits strictement reserves. Reproduction ou communication a des tiers interdite sous quelque forme que ce soit sans autorisation ecrite du proprietaire. Propriete de c FCI. Droits de reproduction FCI.



All rights strictly reserved. Reproduction or issue to third parties in any form whatever is not permitted without written authority from the proprietor. Property of FCI. Copyright FCI.



PERFORMANCE CHARACTERISTICS
 CURRENT RATING 1.5A AT 20°C (FULLY LOADED)
 1 A AT 70°C (FULLY LOADED)
 RATED VOLTAGE : 500 V AC (CONT /CONT)
 OPERATING TEMPERATURE : -55°C TO 125°C
 CONTACT RESISTANCE 20 mΩ MAX
 INSERTION FORCE : 0.75N MAX/CONT
 EXTRACTION FORCE : 0.15N MIN/CONT
 INSULATION RESISTANCE : 10⁴ MΩ MIN

NOTES 1:HM2R88PA8100 LF LEAD FREE INDICATOR - LF LEAD FREE (GIGIT 15A36)
 PLATING CODE(GIGIT 13A14)

Plating code	Plating	Performance Level
AA	0.75um Au	EC performance level 2125(mating cycles)/TELCORDIA CO
AB	1.25um Au	TELCORDIA UE

- THIS PRODUCT IS CSA APPROVED. THIS PRODUCT IS UL RECOGNIZED.
- FOR RECOMMENDED PTH DIMENSIONS REFER DRAWING : BSA201572.001
- THIS PRODUCT (LF) MEETS EUROPEAN UNION DIRECTIVES AND OTHER COUNTRY REGULATIONS AS DESCRIBED IN GS-22-008

rev	ecn no	dr	date
A	DG09-0243	NZ	Jul-20-2009
B	DG10-0093	NZ	Mar-08-2010

		www.fciconnect.com		tolerance 1DEC +0.2 1DEC 2DEC +0.1 2DEC ANGLES ±1° HDEKEN	projection 	MM ↔
Dr	Nickor Zuo	Jul-20-09	Product family	MILLIPICS	size	A4
Eng	Nickor Zuo	Jul-20-09	Spec ref		Scale	SCALE
Chr	PeiMing Zheng	Jul-20-09	Material		ECN	
Appr	Joseph Hsia	Jul-20-09				
title			MPACS 8+2R RA RCP CONN TYPE E/ UPPER SHIELDED		dwg no	BSC201418057
catalog no			HM2R88PA8100----		CUSTOMER	Rev. B
					sheet 1 of 1	