
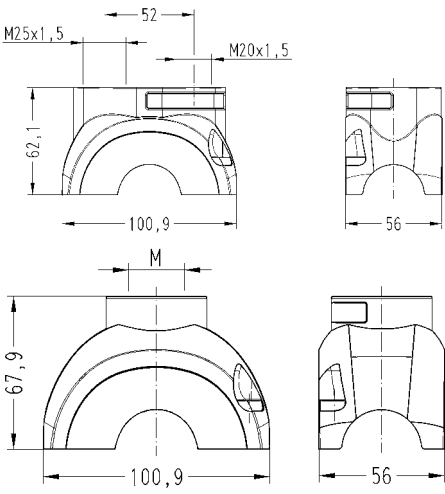

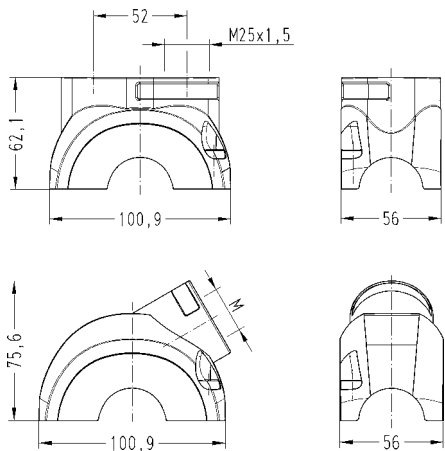



Hoods/housings for industrial applications
Push button

Yellock

Identification	Cable entry	Part number	Drawing (dimensions in mm)
<p>Han-<i>Yellock</i>®, Shell, Top entry, IP65, IP67</p> 	<p>1x M20, 1x M25 1x M25 1x M32 1x M40 2x M25</p>	<p>11 12 600 1415 11 12 600 1401 11 12 600 1402 11 12 600 1403 11 12 600 1411</p>	
<p>Han-<i>Yellock</i>®, Shell, Side entry, IP65, IP67</p> 	<p>1x M25 1x M32 1x M40</p>	<p>11 12 600 1501 11 12 600 1502 11 12 600 1503</p>	
<p>Han-<i>Yellock</i>®, Carrier hood, Plain push button, IP65, IP67</p> 		<p>11 12 600 0100</p>	