

**MATERIAL**

Glass-fibre reinforced polyamide based (PA) technopolymer, black colour, matte finish.

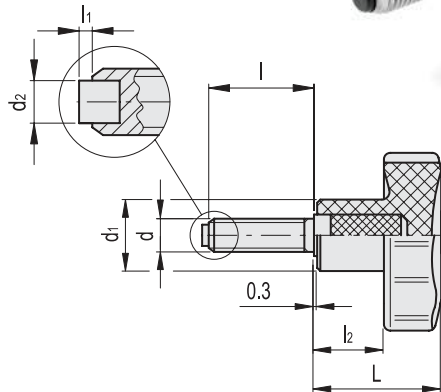
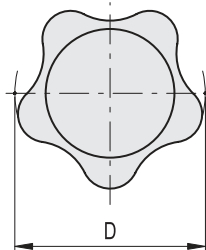
**STANDARD EXECUTIONS**

- **VC.692-SST-p-PO:** AISI 303 stainless steel threaded stud, acetal resin (POM) pad.
- **VC.692-SST-p-PB:** AISI 303 stainless steel threaded stud, brass pad.

**FEATURES AND APPLICATIONS**

The pad avoids to damage the surface of contact even in case of strong clamping.

Conversion Table	
1 mm = 0.039 inch	
D	
mm	inch
25	0.98
32	1.26
40	1.57
50	1.97



ELESA Original design

**VC.692-SST-p-PO**

INOX STAINLESS STEEL METRIC

Code	Description	D	d <sub>6g</sub>	L	d <sub>1</sub>	d <sub>2</sub>	l	l <sub>1</sub>	l <sub>2</sub>	⚖
166282	VC.692/32-SST-p-M6x16-PO	32	M6	22.5	14	4	16	1.5	12.5	15
166283	VC.692/32-SST-p-M6x20-PO	32	M6	22.5	14	4	20	1.5	12.5	16
166284	VC.692/32-SST-p-M6x30-PO	32	M6	22.5	14	4	30	1.5	12.5	19
166401	VC.692/40-SST-p-M8x20-PO	40	M8	26	15	5	20	1.8	14	28
166403	VC.692/40-SST-p-M8x30-PO	40	M8	26	15	5	30	1.8	14	32
166405	VC.692/40-SST-p-M8x40-PO	40	M8	26	15	5	40	1.8	14	36
166511	VC.692/50-SST-p-M10x20-PO	50	M10	31	18	6	20	2	17	47
166513	VC.692/50-SST-p-M10x30-PO	50	M10	31	18	6	30	2	17	57
166515	VC.692/50-SST-p-M10x40-PO	50	M10	31	18	6	40	2	17	66

**VC.692-SST-p-PB**

INOX STAINLESS STEEL METRIC

Code	Description	D	d <sub>6g</sub>	L	d <sub>1</sub>	d <sub>2</sub>	l	l <sub>1</sub>	l <sub>2</sub>	⚖
166182	VC.692/25 SST-p-M5x16-PB	25	M5	20	12	3	16	1.5	10	12
166184	VC.692/25 SST-p-M5x25-PB	25	M5	20	12	3	25	1.5	10	12
166292	VC.692/32-SST-p-M6x16-PB	32	M6	22.5	14	4	16	1.5	12.5	16
166293	VC.692/32-SST-p-M6x20-PB	32	M6	22.5	14	4	20	1.5	12.5	17
166294	VC.692/32-SST-p-M6x30-PB	32	M6	22.5	14	4	30	1.5	12.5	20
166411	VC.692/40-SST-p-M8x20-PB	40	M8	26	15	5	20	1.8	14	29
166413	VC.692/40-SST-p-M8x30-PB	40	M8	26	15	5	30	1.8	14	33
166415	VC.692/40-SST-p-M8x40-PB	40	M8	26	15	5	40	1.8	14	37
166521	VC.692/50-SST-p-M10x20-PB	50	M10	31	18	6	20	2	17	48
166523	VC.692/50-SST-p-M10x30-PB	50	M10	31	18	6	30	2	17	58
166525	VC.692/50-SST-p-M10x40-PB	50	M10	31	18	6	40	2	17	67

