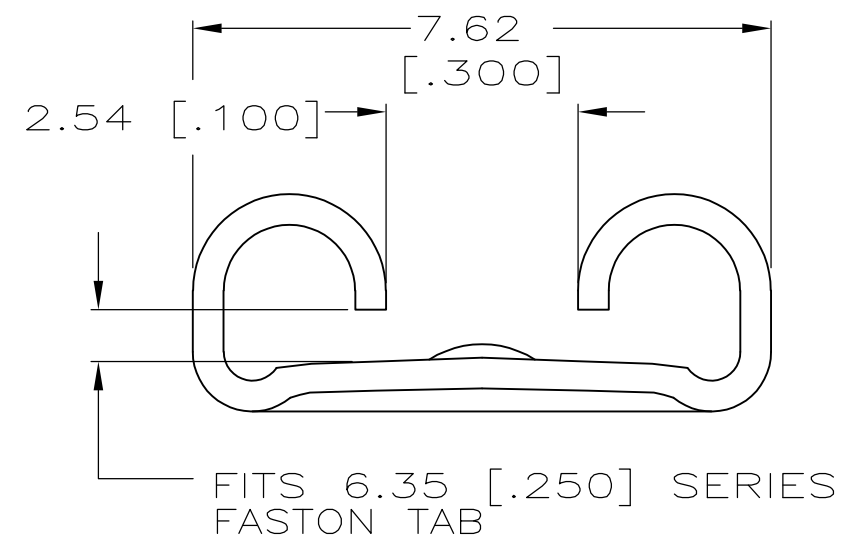
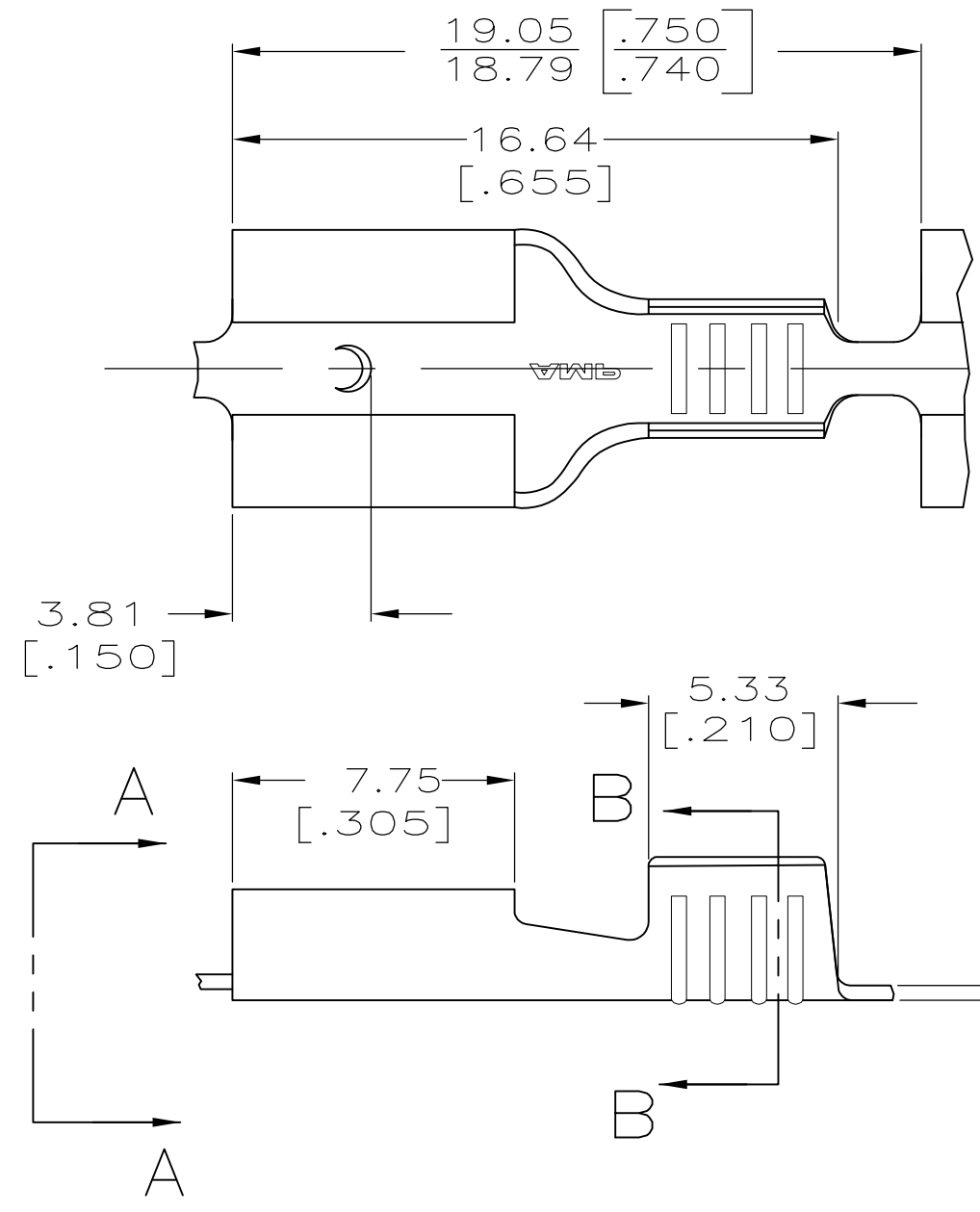


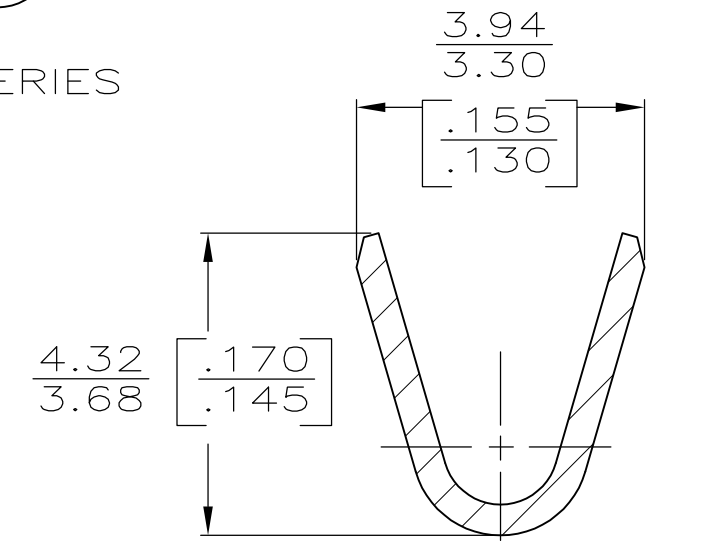
THIS DRAWING IS UNPUBLISHED. RELEASED FOR PUBLICATION
 © COPYRIGHT - By - ALL RIGHTS RESERVED.

LOC	DIST	REVISIONS					
AF	50	P	LTR	DESCRIPTION	DATE	DWN	APVD
		F		REVISED PER ECR-12-013459	28NOV2012	KH	PD

1 CONTINUOUS STRIP ON REELS.



VIEW A-A
SCALE 10:1



SECTION B-B
SCALE 10:1

TIN	0.8-2.0mm ²	0.813	60938-2
-	[18-14]	[.032]	60938-1
FINISH	WIRE SIZE	MATING TAB THK ±0.025 ±[.001]	PART NO

THIS DRAWING IS A CONTROLLED DOCUMENT.		DWN	JR RUTH	3/15/90	TE Connectivity					
DIMENSIONS: mm [INCHES]		CHK	MS FEHER	3/15/90				NAME RECEPTACLE, FASTON, 6.35 [.250] SERIES		
TOLERANCES UNLESS OTHERWISE SPECIFIED:		APVD	C MEYERS	3/15/90						
0 PLC ± - 1 PLC ± - 2 PLC ± - 3 PLC ± 0.25 [.010] 4 PLC ± - ANGLES ± -		PRODUCT SPEC						-		
MATERIAL		FINISH			APPLICATION SPEC	SIZE	CAGE CODE	DRAWING NO	RESTRICTED TO	
BRASS		SEE TABLE			WEIGHT	-	A300779	C-60938	-	
CUSTOMER DRAWING					SCALE	5:1	SHEET	1 OF 1	REV	
					F					