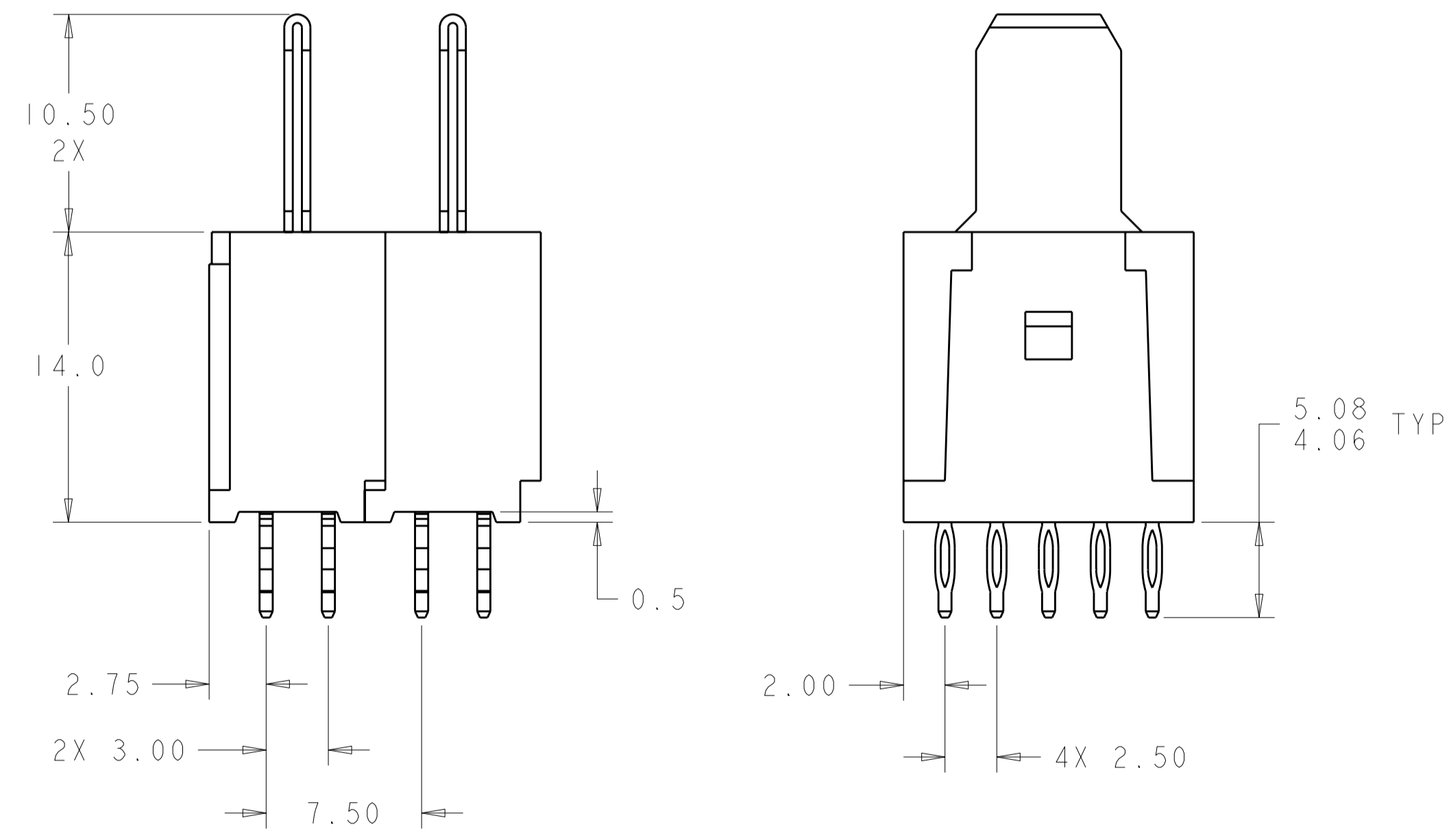
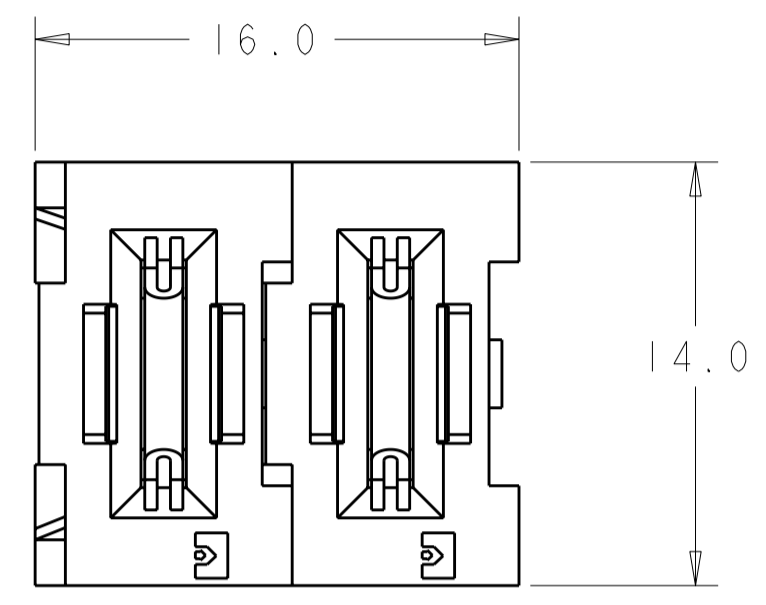


THIS DRAWING IS UNPUBLISHED. RELEASED FOR PUBLICATION 20
 © COPYRIGHT 20 BY TYCO ELECTRONICS CORPORATION. ALL RIGHTS RESERVED.

LOC	DIST	REVISIONS					
GP	00	P	LTR	DESCRIPTION	DATE	DWN	APVD
		B		REV PER ECO-08-029347	03DEC2008	RG	PD
		C		REV PER ECO-09-011440	18MAY2009	RG	MS
		CI		ADD TIN VERSION P/N W/DASH -2	14NOV2011	OL	SZ



1. PART NUMBER CHANGES AND OR DESIGN CHANGES AFFECTING ITEM INTERCHANGEABILITY REQUIRE PRIOR TYCO ELECTRONICS APPROVAL AND AUTHORIZATION BY REVISION TO THIS DRAWING.

2 MATERIAL:
 INSULATORS - THERMOPLASTIC, GLASS REINFORCED, COLOR: BLACK
 UL94V-0 FLAMMABILITY RATED.
 CROWN BANDS - PHOSPHOR BRONZE ALLOY, COPPER ALLOY
 POWER CONTACTS: COPPER ALLOY

3 FINISH:
 CONTACTS - GOLD PLATE 0.76µm MIN THK.
 .OVER NICKEL 1.27µm MIN THK.
 COMPLIANT TAILS- TIN/LEAD PLATE 1.02 TO 3.05µm MIN THK. OVER NICKEL 1.27µm MIN THK.

4. ITEMS PROVIDED TO THIS SPECIFICATION TO BE IDENTIFIED ON THE CONTAINER PER THE FOLLOWING IDENTIFIER LABEL

YEAR 11 WEEK 1

TYCO ELECTRONICS P/N DATE CODE (e.g. 0106)

XXXXXXXX-X XXXX

5. MATES WITH TYCO ELECTRONICS P/N 1926937-1

8 FINISH:
 CONTACTS - GOLD PLATE 0.76µm MIN THK.
 .OVER NICKEL 1.27µm MIN THK.
 COMPLIANT TAILS- TIN PLATE 1.02 TO 3.05µm MIN THK. OVER NICKEL 1.27µm MIN THK.

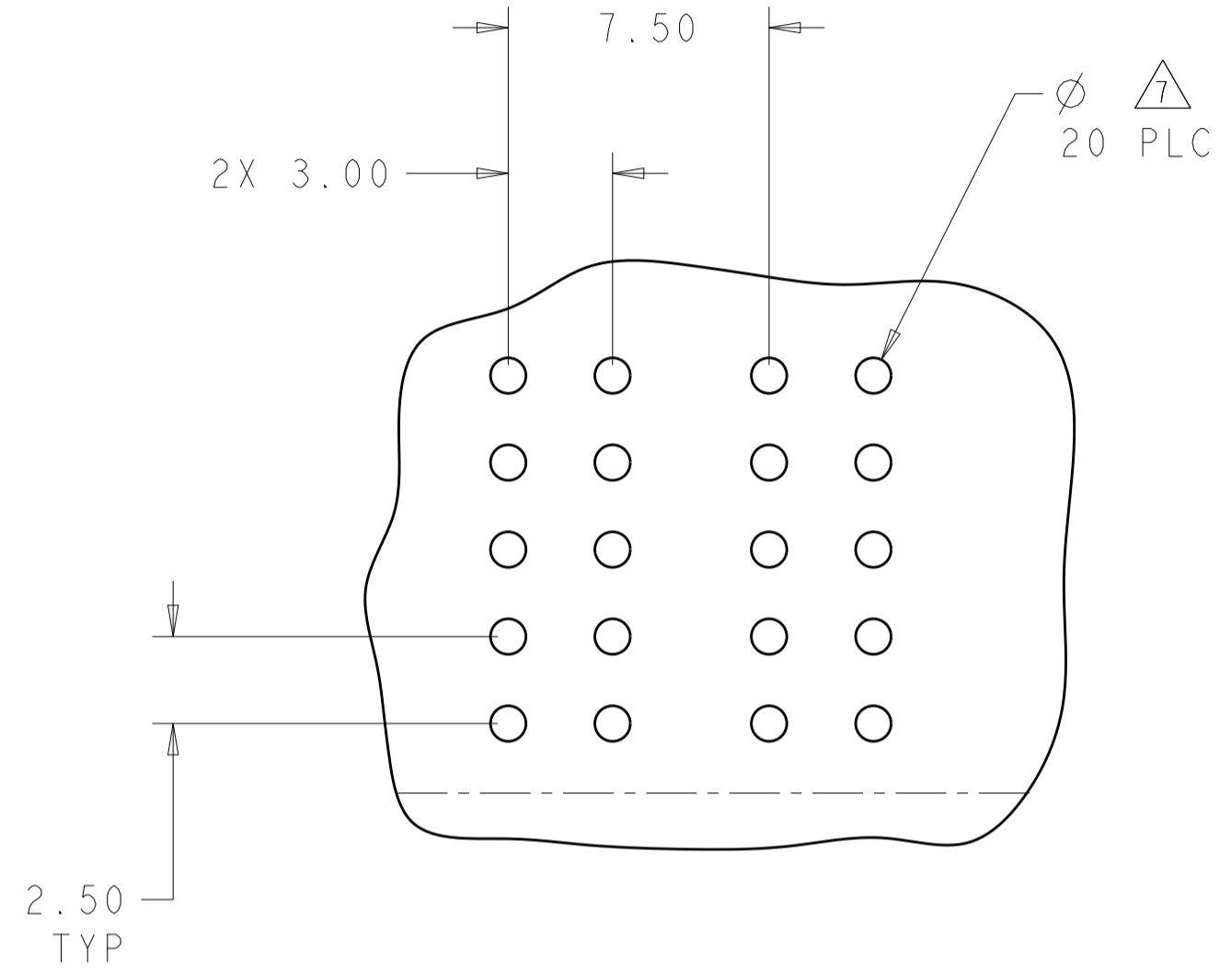
8	AS SHOWN	1926938-2
3	AS SHOWN	1926938-1
	DESCRIPTION	PART NUMBER

THIS DRAWING IS A CONTROLLED DOCUMENT FOR TYCO ELECTRONICS CORPORATION. IT IS SUBJECT TO CHANGE AND THE CONTROLLING ENGINEERING ORGANIZATION SHOULD BE CONTACTED FOR THE LATEST REVISION.		DWN R. GRZYBOWSKI 19AUG08 CHK P. DAMATO 19AUG08 APVD M. PERCHERKE 19AUG08	Tyco Electronics Harrisburg, PA 17105-3608
DIMENSIONS: mm [INCHES]	TOLERANCES UNLESS OTHERWISE SPECIFIED: 0 PLC ±.5 1 PLC ±.5 2 PLC ±.25 3 PLC ±. 4 PLC ±. ANGLES ±.5 FINISH 3	PRODUCT SPEC - APPLICATION SPEC - WEIGHT -	NAME STRAIGHT PIN CONNECTOR COMPLIANT TAILS FLATPAQ SIZE A2 CAGE CODE 00779 DRAWING NO. C-1926938 RESTRICTED TO -
MATERIAL 2		CUSTOMER DRAWING SCALE 4:1 SHEET 1 OF 3 REV C1	

ELCON FLATPAQ

THIS DRAWING IS UNPUBLISHED. RELEASED FOR PUBLICATION 20
 © COPYRIGHT 20 BY TYCO ELECTRONICS CORPORATION. ALL RIGHTS RESERVED.

LOC	DIST	REVISIONS			
P	LTR	DESCRIPTION	DATE	DWN	APVD
GP	00	-	SEE SHEET 1	-	-



PRINTED CIRCUIT LAYOUT
 COMPONENT SIDE

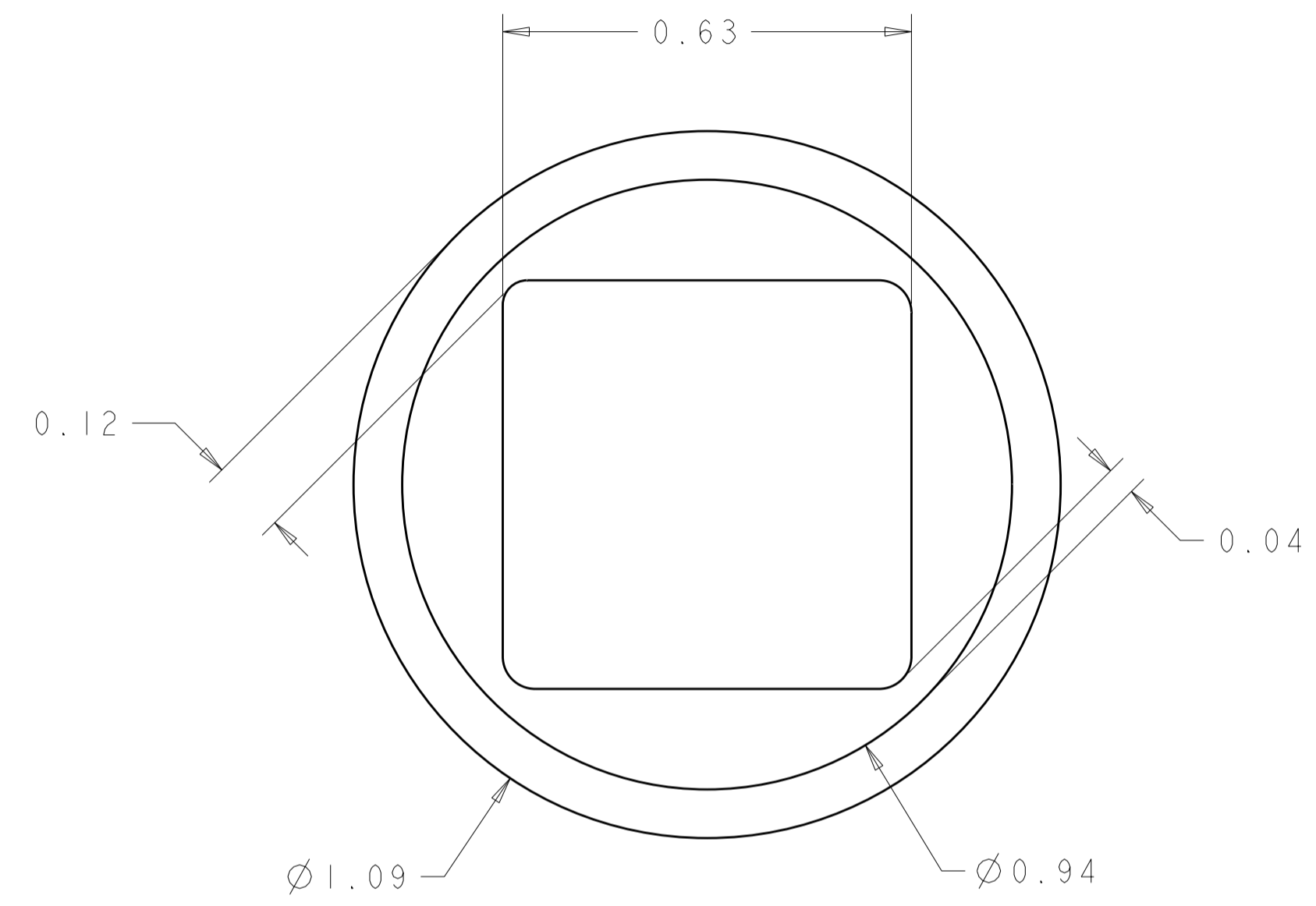
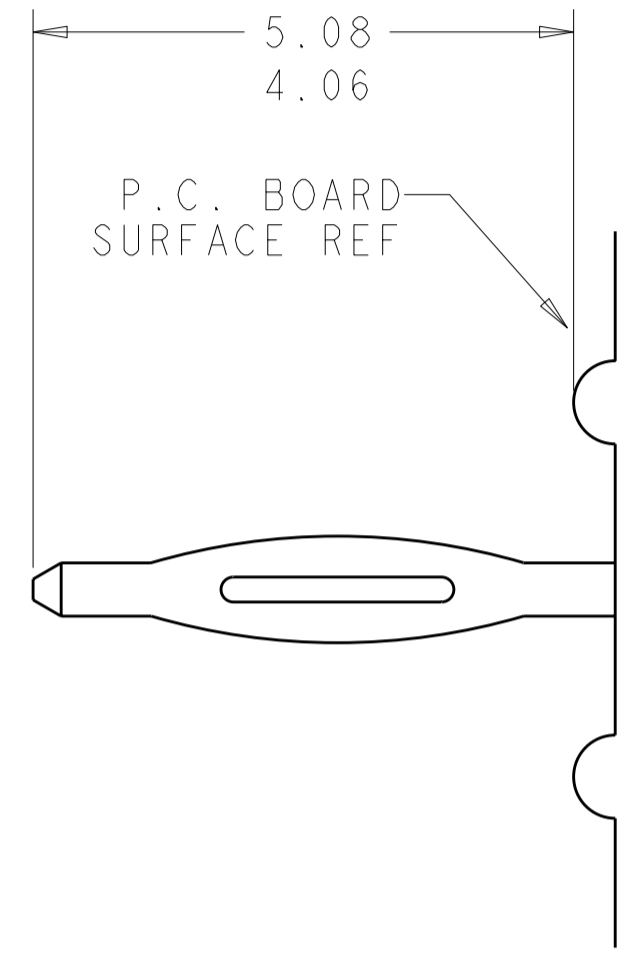
CONNECTOR	CATALOG MODULE #	QTY	SIZE NO.	CONTACT QTY	MATING PIN	MAX. CURRENT (PER CONTACT)	CONTACT SPACING	VOLTAGE RATING
PIN	FP207	2	8	2	1.25 X 7.00	35 amps	7.50	250

<small>THIS DRAWING IS A CONTROLLED DOCUMENT FOR TYCO ELECTRONICS CORPORATION. IT IS SUBJECT TO CHANGE AND THE CONTROLLING ENGINEERING ORGANIZATION SHOULD BE CONTACTED FOR THE LATEST REVISION.</small>		DWN R. GRZYBOWSKI 19AUG98 CHK P. DAMATO 19AUG08 APVD M. PERCHERKE 19AUG08	Tyco Electronics Harrisburg, PA 17105-3608
DIMENSIONS: mm [INCHES]	TOLERANCES UNLESS OTHERWISE SPECIFIED: 0 PLC ±.5 1 PLC ±.5 2 PLC ±.25 3 PLC ±. 4 PLC ±. ANGLES ±.5 FINISH	PRODUCT SPEC APPLICATION SPEC WEIGHT	NAME STRAIGHT PIN CONNECTOR COMPLIANT TAILS FLATPAQ SIZE CAGE CODE DRAWING NO RESTRICTED TO A200779 C-1926938 -
MATERIAL		CUSTOMER DRAWING	SCALE 4:1 SHEET 2 OF 3 REV C1

ELCON **FLATPAQ**

THIS DRAWING IS UNPUBLISHED. RELEASED FOR PUBLICATION 20
 © COPYRIGHT 20 BY TYCO ELECTRONICS CORPORATION. ALL RIGHTS RESERVED.

LOC	DIST	REVISIONS			
P	LTR	DESCRIPTION	DATE	DWN	APVD
GP	00	-	SEE SHEET 1	-	-



6. COMPLIANT PIN DETAIL
 SCALE 10 : 1
 INSERTION/EXTRACTION FORCES
 MAXIMUM PUSH IN: 133.3N PER PIN (30 LBS)
 MINIMUM PUSH OUT: 44.4N PER PIN (10 LBS)

△ SOLDER TERMINATION AREA
 RECOMMENDED PRINTED CIRCUIT HOLE
 COMPLIANT PRESS FIT
 FINISHED HOLE: $\varnothing 1.02 \pm .08$
 DRILLED HOLE: $\varnothing 1.15 \pm .013$
 COPPER PLATE: .025 TO .050
 TIN PLATE: .0005 MIN. (PER SURFACE)

ELCON FLATPAQ

THIS DRAWING IS A CONTROLLED DOCUMENT FOR TYCO ELECTRONICS CORPORATION. IT IS SUBJECT TO CHANGE AND THE CONTROLLING ENGINEERING ORGANIZATION SHOULD BE CONTACTED FOR THE LATEST REVISION.		DWN R. GRZYBOWSKI 19AUG98	Tyco Electronics Harrisburg, PA 17105-3608	
DIMENSIONS: mm [INCHES]		CHK P. DAMATO 19AUG08	NAME STRAIGHT PIN CONNECTOR COMPLIANT TAILS FLATPAQ	
TOLERANCES UNLESS OTHERWISE SPECIFIED: 0 PLC ±.5 1 PLC ±.5 2 PLC ±.25 3 PLC ±. 4 PLC ±. ANGLES ±.5 FINISH		APVD M. PERCHERKE 19AUG08	SIZE A200779	DRAWING NO C-1926938
MATERIAL		PRODUCT SPEC - APPLICATION SPEC -	RESTRICTED TO -	SCALE 4:1 SHEET 3 OF 3 REV C1
-		WEIGHT -	CUSTOMER DRAWING	