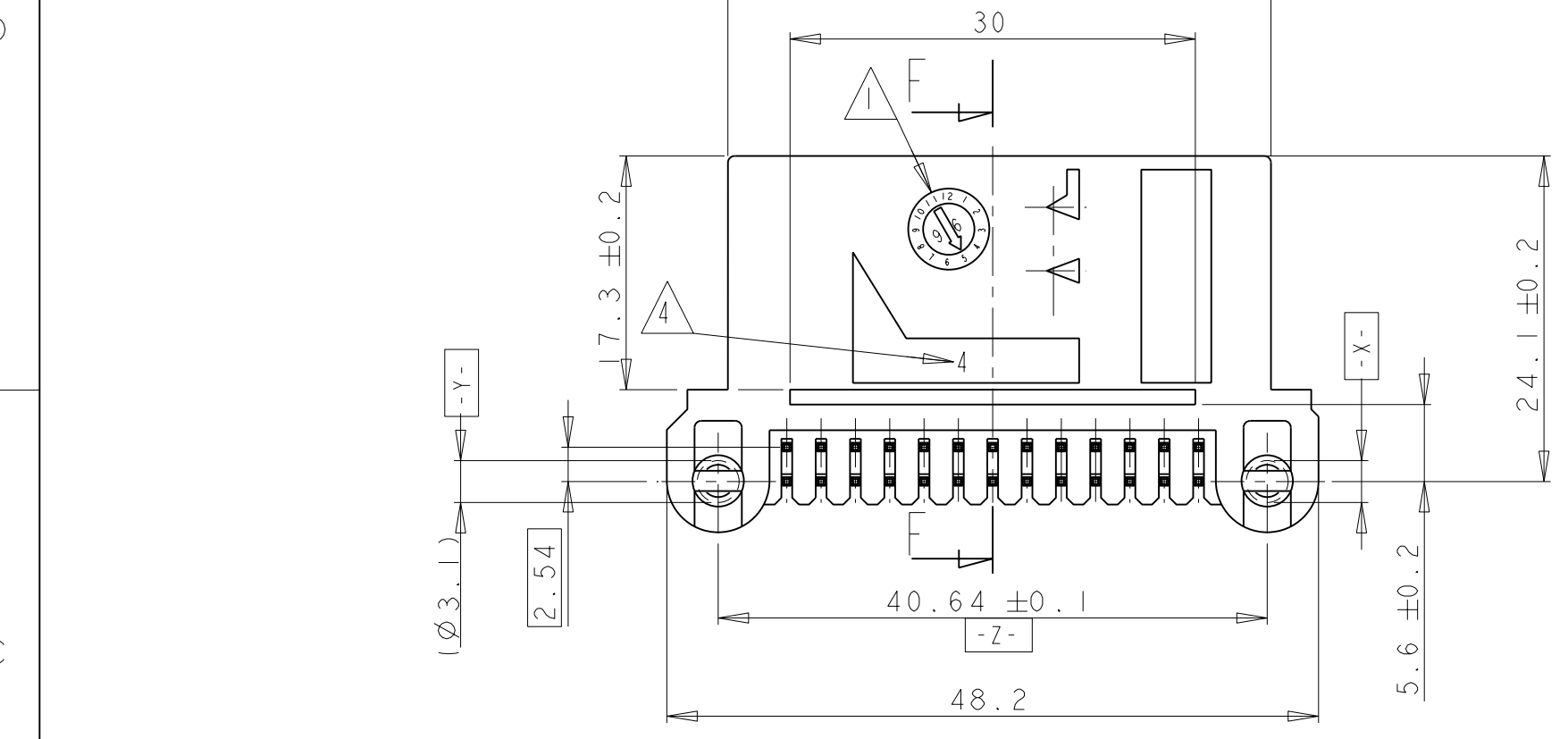
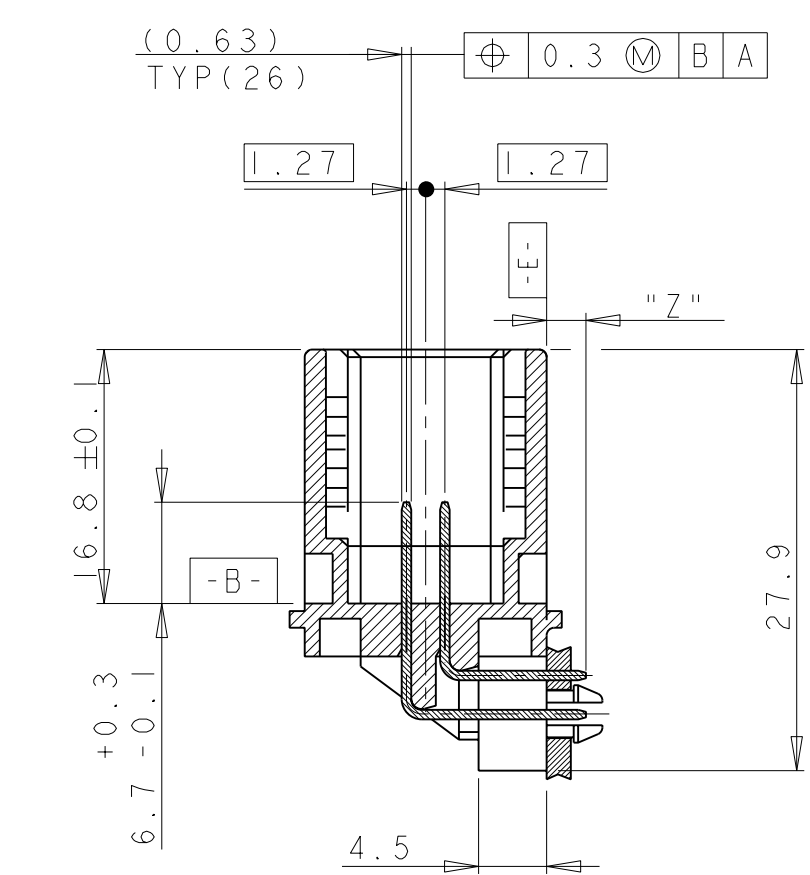


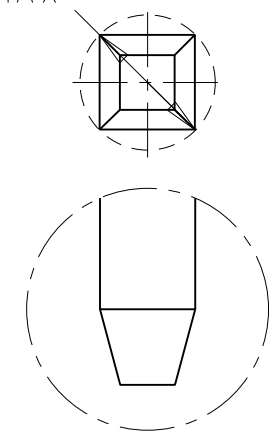
LOC	DIST	REVISIONS			
P	LTR	DESCRIPTION	DATE	DWN	APVD
A		MISE A JOUR	07-AUG-96	NT	-
B		NEW REFERENCES ADDED	15-NOV-96	NT	-
C		LEAD REMOVED	05-FEB-08	MV	-



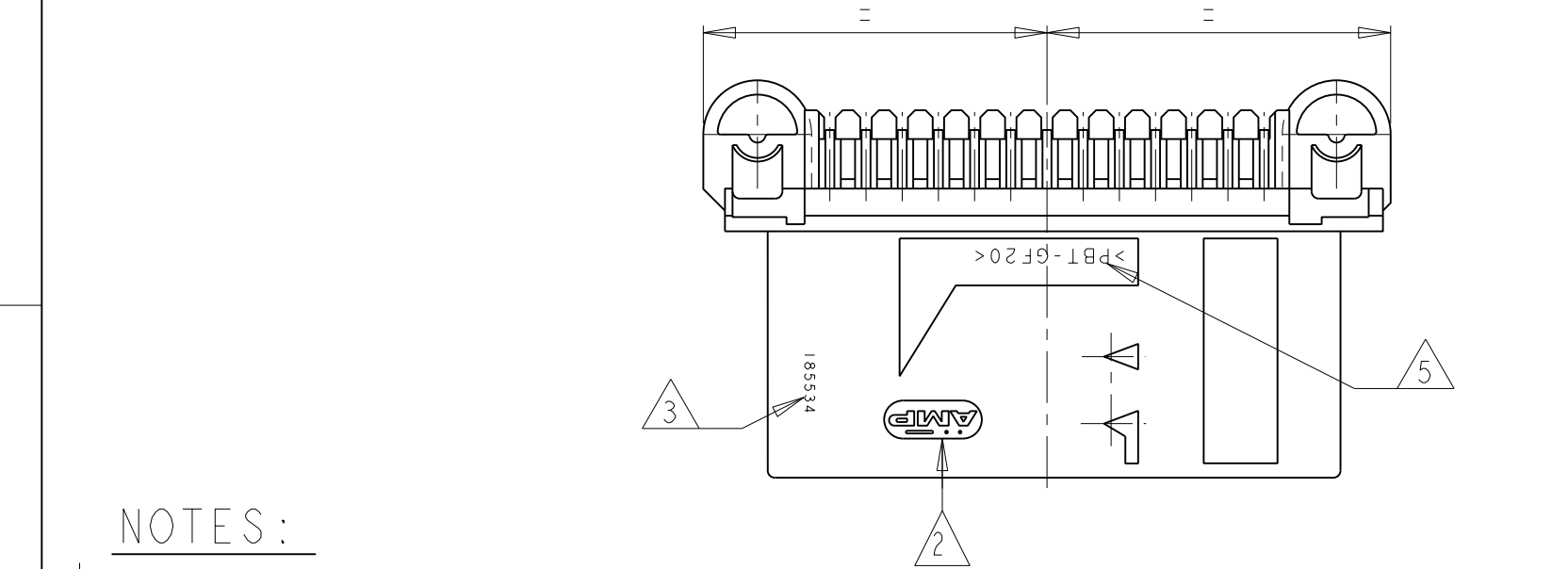
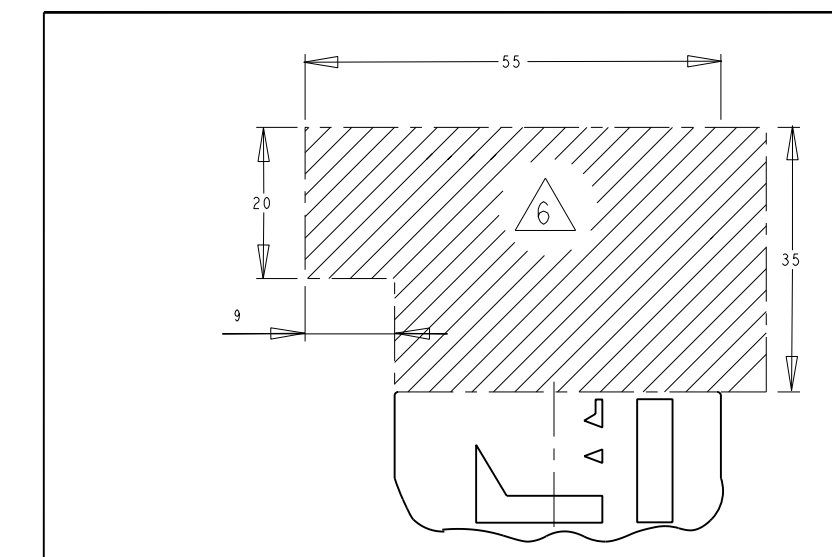
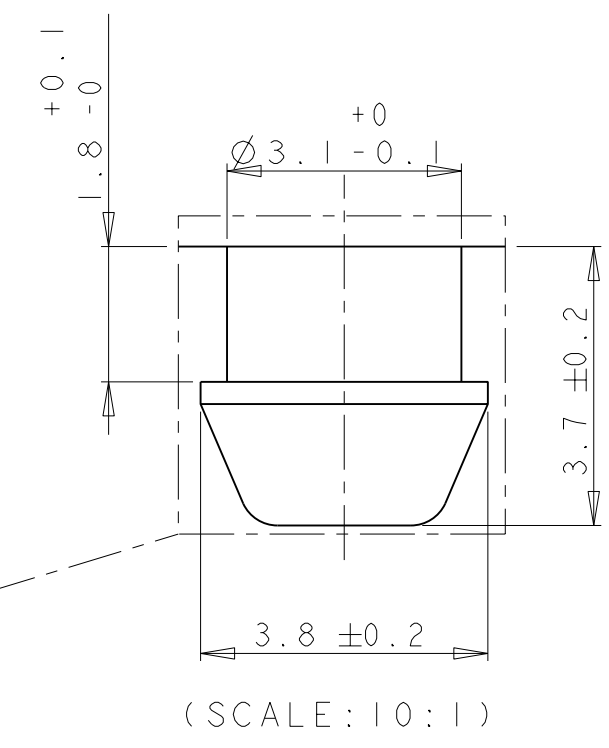
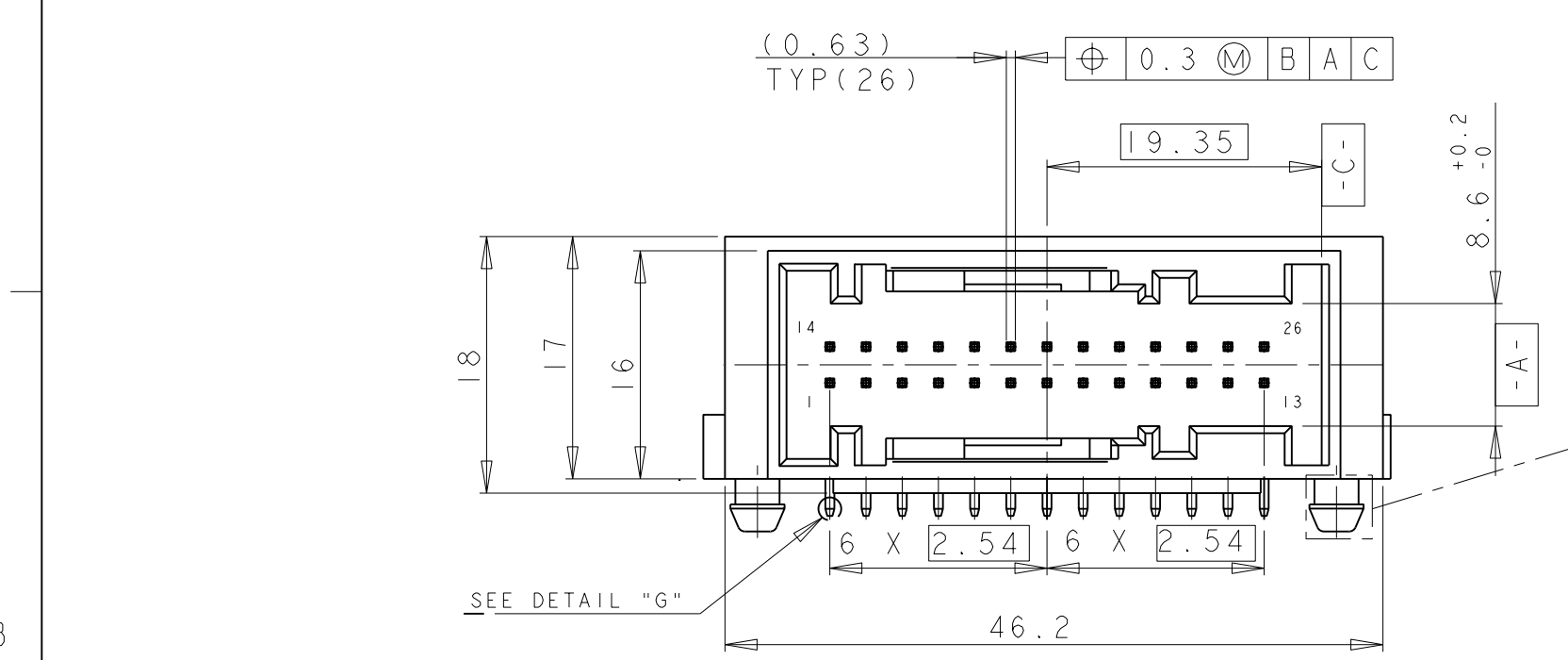
SECTION F-F



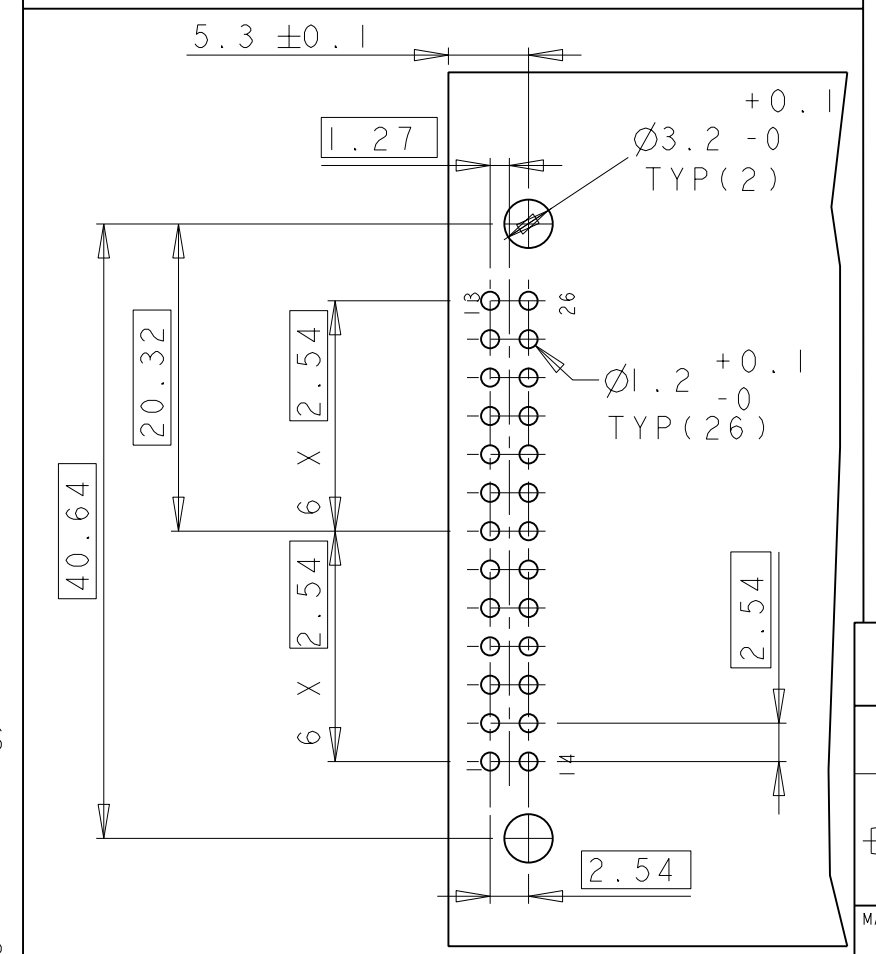
⊕	∅ 0.4	Ⓜ	
⊕	∅ 0.6	Ⓜ	E X-Y Z
∅ 0.89 MAX			



DETAIL G
(SCALE: 20:1)



RECOMMENDED PCB LAYOUT
(PRECONISATION DE L'IMPLANTATION DU CIRCUIT IMPRIME)



- NOTES:
- | | |
|--|------------------------------------|
| ① DATE CODE | DATE CODE |
| ② "AMP" LOGO | LOGO D' "AMP" |
| ③ TYCO ELECTRONICS PART NUMBER | REFERENCE PRODUIT TYCO ELECTRONICS |
| ④ MOLD CAVITY MARKING | N° EMPREINTE MOULE |
| ⑤ MATERIAL REFERENCE | REFERENCE MATIERE |
| ⑥ DIMENSIONS REQUIRED FOR CONNECTOR MATING | ZONE LIBRE POUR MONTAGE PORTE CLIP |

PBT 20% GLASS FIBER (PBT 20% FIBRE DE VERRE)	COPPER ALLOY (ALLIAGE CUIVRE)	TIN OVER NICKEL (ETAIN SUR SOUS-COUCHE NICKEL)
HOUSING MATERIAL (MATIERE EMBASE)	PIN MATERIAL (MATIERE CONTACT)	PIN FINISH (FINITION CONTACT)

	BLUE (bleu)	3.5 ± 0.2	185534-4
	YELLOW (jaune)	3.5 ± 0.2	185534-3
		2.6 ± 0.2	185534-2
		2.6 ± 0.2	185534-1
CODING (Detrompage)	COLOR (Couleur)	"Z"	P/N ASS'Y (reference- assemble)

THIS DRAWING IS A CONTROLLED DOCUMENT FOR TYCO ELECTRONICS CORPORATION IT IS SUBJECT TO CHANGE AND THE CONTROLLING ENGINEERING ORGANIZATION SHOULD BE CONTACTED FOR THE LATEST REVISION.		DWN T NGUYEN 29-FEB-96	Tyco Electronics 95300 Pontoise, France	
DIMENSIONS: mm		CHK J LAQUERBE 28-NOV-96	NAME HEADER ASSY, 26 POSN, MQS, RIGHT ANGLE WITH BOARD-LOCK	
TOLERANCES UNLESS OTHERWISE SPECIFIED: 0 PLC ± 1 PLC ± 2 PLC ±0.3 3 PLC ± 4 PLC ± ANGLES ±5°		APVD JJ REVII 28-NOV-96	EMBASE ASSEMBLEE, 26 POSITIONS, MQS, COUDEE AVEC BOARD-LOCK	
MATERIAL SEE TABLE	FINISH	PRODUCT SPEC 108-15140	SIZE A200779	DRAWING NO C-185534
CUSTOMER DRAWING		WEIGHT -	RESTRICTED TO -	SCALE 2:1
		SHEET 1 OF 1		REV C