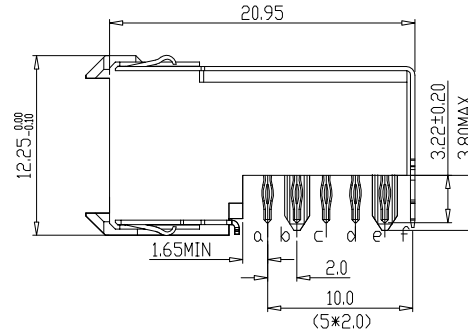
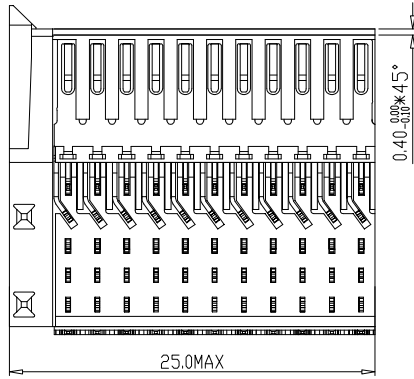
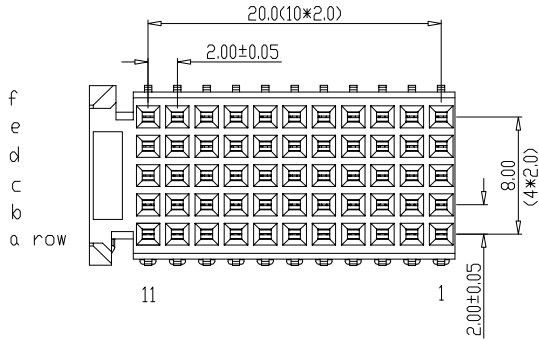




Tous droits strictement reserves. Reproduction ou communication a des tiers interdite sous quelque forme que ce soit sans autorisation ecrite du proprietaire. Propriete de c FCI. Droits de reproduction FCI.

All rights strictly reserved. Reproduction or issue to third parties in any form whatever is not permitted without written authority from the proprietor. Property of FCI. Copyright FCI.



PERFORMANCE CHARACTERISTICS

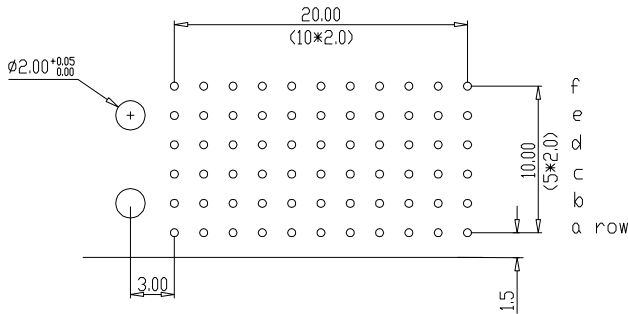
- CURRENT RATING 1.5A AT 20°C (FULLY LOADED)
- 1 A AT 70°C (FULLY LOADED)
- RATED VOLTAGE : 500 V AC (CONT /CONT)
- OPERATING TEMPERATURE : -55°C TO 125°C
- CONTACT RESISTANCE 20 M Ω MAX
- INSERTION FORCE : 0.75N MAX/CONT
- EXTRACTION FORCE : 0.15N MIN/CONT
- INSULATION RESISTANCE : 10<sup>4</sup> MΩ MIN

NOTES 1. HM2R03PA5101 LEAD FREE INDICATOR : LF=LEAD FREE(DIGIT 13&16)  
PLATING CODE(DIGIT 13&14)

Plating code	Plating	Performance Level
AA	0.75µm Au	IEC performance level 2(250mating cycles)orTELCORDIA (C)
AB	1.25µm Au	TELCORDIA UE

- THIS PRODUCT IS CSA APPROVED. THIS PRODUCT IS UL RECOGNIZED.
- FOR RECOMMENDED PTH DIMENSIONS REFER DRAWING : BSA.201572.001
- THIS PRODUCT (LF) MEETS EUROPEAN UNION DIRECTIVES AND OTHER COUNTRY REGULATIONS AS DESCRIBED IN GS-22-008

LAY-OUT  
P.C.B.- HOLE



rev	ecn no	dr	date
A	DG09-0243	NZ	2009.12.1
B	DG10-0093	NZ	2010.3.8
C	DG10-0110	NZ	2010.6.8

Material			Spec ref		
Mat code			tolerance		
Heat treat			1DEC ± 0.2 1DEC		
Plating/Finish			2DEC ± 0.1 2DEC		
Dr Nickor Zuo Jul-20-09			ANGLES ± 1° HOEKEN		
Eng Nickor Zuo Jul-20-09			projection		
Chr PeiMing Zheng Jul-20-09			size A4		
Appr Joseph Hsia Jul-20-09			Scale 2.000		
Product family MILLIPACS			REL Level		
Model Name			dwg no BSC201418062		
Model Revision			Rev. C		
Pro/E file catalog no HM2R03PA5101----			sheet 1 of 1		