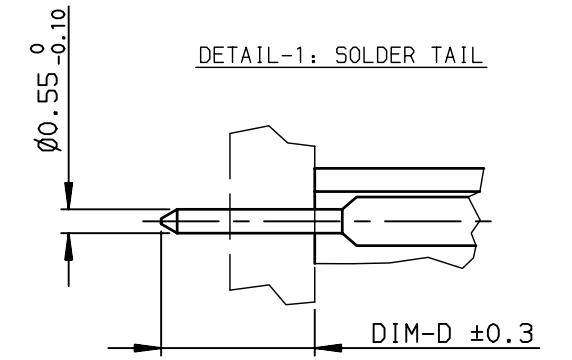
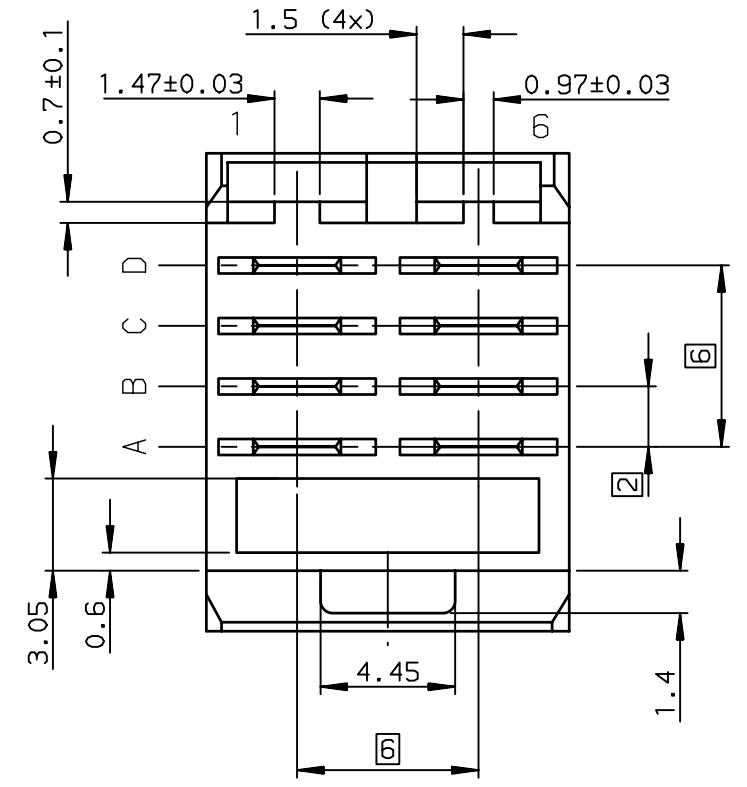


NORMINATIVE REF = IEC-61076-4-104
 NOTE-2: ONE CENTER PEG FOR HOLD DOWN FORCE
 NOTE-3: CODING RECESS FOR 8MM EXTENDED KEYS
 NOTE-4: PRODUCT MARKING = PRODUCT NUMBER + BATCH CODE + FCI
 FOR 1 MODULE SIZE, END OF PART NUMBER ONLY
 NOTE-5: CENTRAL WALL WITH END REAR SUPPORT
 NOTE-6: PACKAGING IN TRAY + COVER
 IF SUFFIX "P" IS ADDED IN P/N PACKAGING IS IN TRAYS
 BUT CONNECTOR MARKING IS WITHOUT "P"
 EXAMPLE: HM1XXXXXXXXXH6P, MARKED HM1XXXXXXXXXH6



GENERAL CHARACTERISTICS AND ROHS INFORMATIONS:
 SEE PRODUCT SPECIFICATION GS-12-446

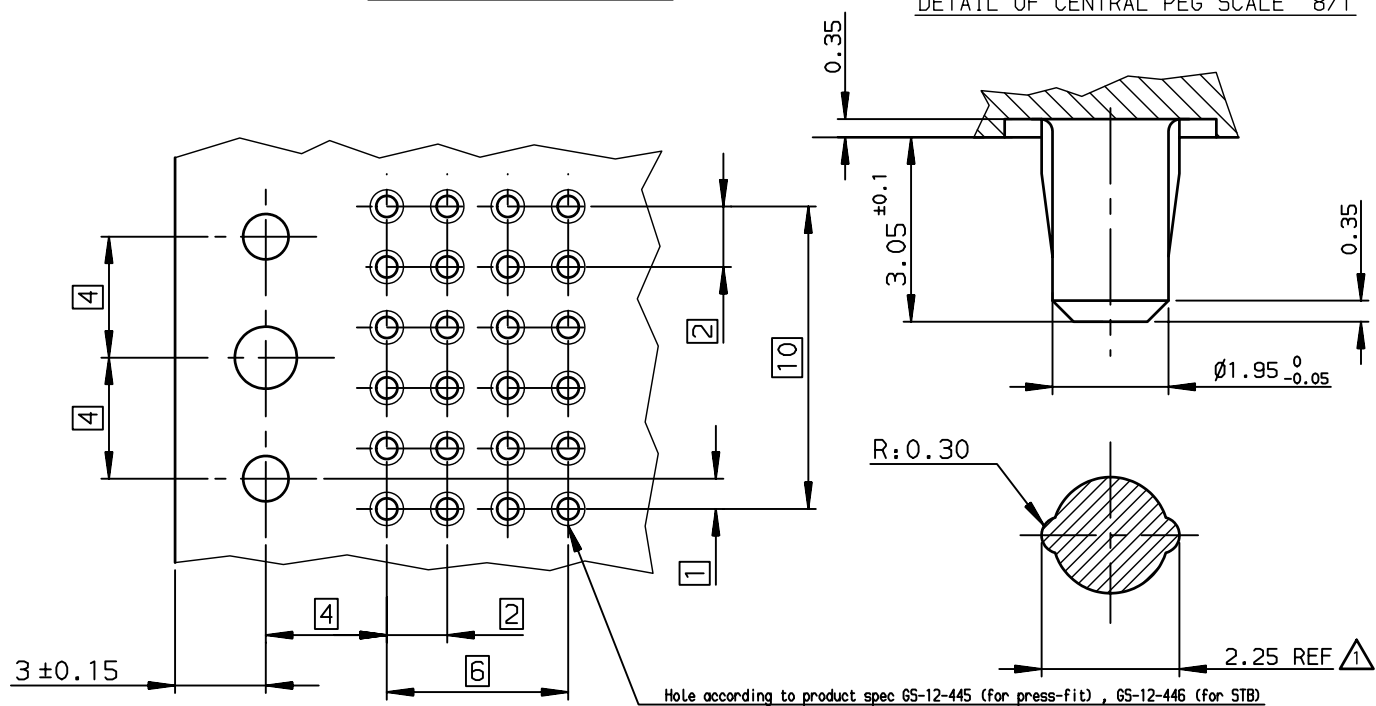
OTHERS INFORMATIONS, SEE DRW C-8626-0129-2

European Views

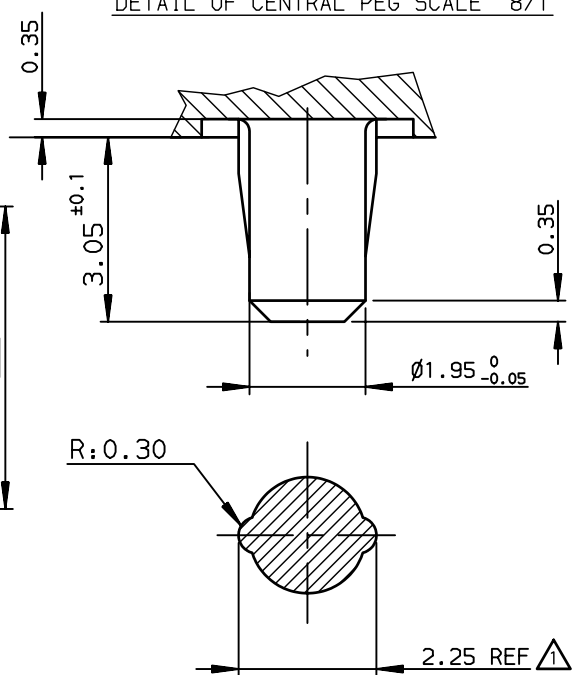
rev	ecn no	dr	date
G	-	CHA	2003/07/16
H	LS05-001	MLE	2005/03/17
J	LS06-0101	LGO	2006/06/26
K	LS07-0184	MLE	2007/07/23
-	-	-	-
-	-	-	-
-	-	-	-

www.fciconnect.com		surface ISO 1302 ✓	tolerance std ISO 406 ISO 1101	projection mm
TOLERANCES UNLESS OTHERWISE SPECIFIED				size A3
Dr	PERRICHOT	2001/10/22	ANGULAR	Scale 4:1
Eng	LENOIR	2001/10/22	LINEAR	ECN LS07-0184
Chr	LEGARE	2001/10/22	0.xx' ± 2'	Spec ref -
Appr	LEGARE	2001/10/22	Product family METRAL	
FCI		title METRAL RA HDR WB CONVERG		Rev. K
		dwg no C-8626-0129-1		
		CUSTOMER		sheet 1 of 2

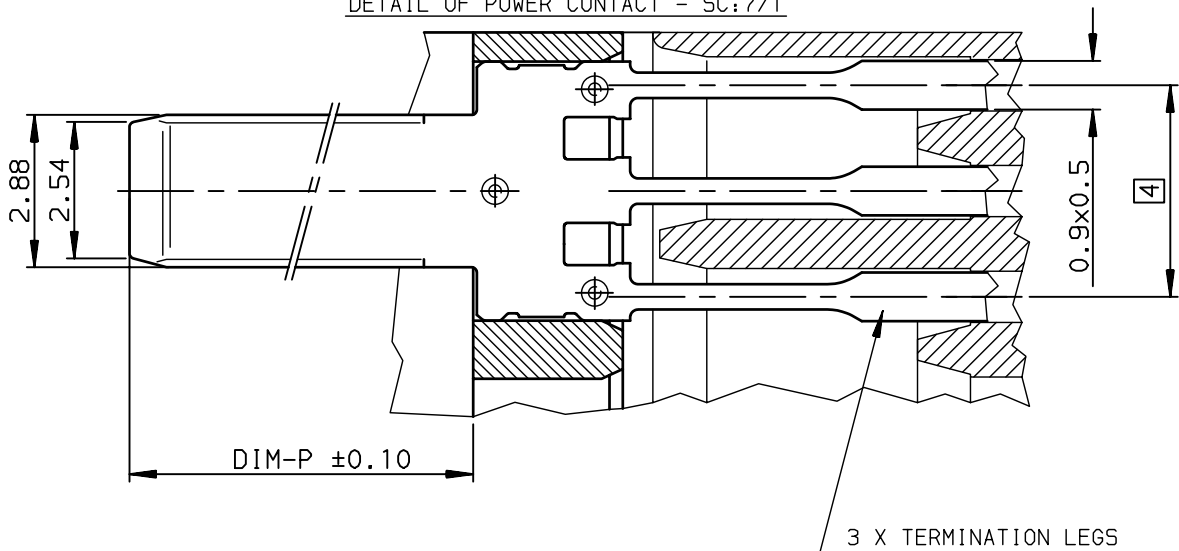
RECOMMENDED PCB LAYOUT



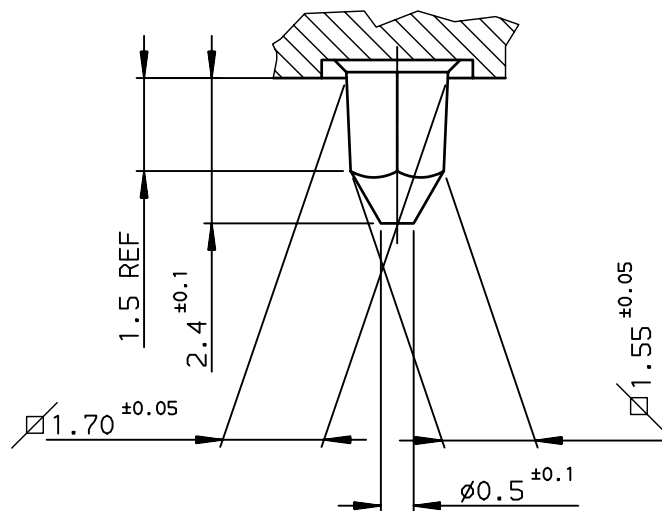
DETAIL OF CENTRAL PEG SCALE 8/1



3 X TERMINATION LEGS
DETAIL OF POWER CONTACT - SC:7/1



DETAIL OF LOCATING PEGS (2x) SCALE 8/1



OTHERS INFORMATIONS, SEE DRW 8626-0129-1

TIN LEAD PART NUMBER

PART NUMBER / CONTACT LOADING							
DIM-P ±0.10				DIM-D ±0.3	P/N AND PERFORMANCE LEVEL		SP N°
ROW-A	ROW-B	ROW-C	ROW-D				
6.50	6.50	6.50	6.50	2.90	HM1K41DAP000H6P		
6.50	6.50	6.50	6.50	3.70	HM1K41DBP000H6P		
7.25	7.25	7.25	7.25	2.90	HM1K41MAP000H6P		
8.00	8.00	8.00	8.00	2.90	HM1K41NAP000H6P		
8.00	8.00	7.25	6.50	2.90	HM1K41HAP000H6P		
6.50	8.00	6.50	6.50	2.90	HM1K41KAP000H6P		

STANDARD MATING LENGTHS = 6.50 (AND 7.25-8.00) - 5.00 AND 5.75 NOT AVAILABLE

LEAD FREE PART NUMBER

PART NUMBER / CONTACT LOADING							
DIM-P ±0.10				DIM-D ±0.3	P/N AND PERFORMANCE LEVEL		SP N°
ROW-A	ROW-B	ROW-C	ROW-D				
6.50	6.50	6.50	6.50	2.90	HM1K41DAP000H6PLF		
6.50	6.50	6.50	6.50	3.70	HM1K41DBP000H6PLF		
7.25	7.25	7.25	7.25	2.90	HM1K41MAP000H6PLF		
8.00	8.00	8.00	8.00	2.90	HM1K41NAP000H6PLF		
8.00	8.00	7.25	6.50	2.90	HM1K41HAP000H6PLF		
6.50	8.00	6.50	6.50	2.90	HM1K41KAP000H6PLF		

STANDARD MATING LENGTHS = 6.50 (AND 7.25-8.00) - 5.00 AND 5.75 NOT AVAILABLE

European Views

www.fciconnect.com		surface ISO 1302	tolerance std ISO 406 ISO 1101	projection mm
TOLERANCES UNLESS OTHERWISE SPECIFIED				size A3
Dr	PERRICHOT	2001/10/22	ANGULAR	Scale 4:1
Eng	LENOIR	2001/10/22	LINEAR	ECN LS07-0184
Chr	LEGARE	2001/10/22	0.XX' ±2'	Spec ref -
Appr	LEGARE	2001/10/22	Product family METRAL	
FCi		title METRAL RA HDR WB CONVERG		Rev. K
catalog no		dwg no C-8626-0129-2		sheet 2 of 2

rev	ecn no	dr	date
F	-	PCA	2003/07/16
H	LS05-001	MLE	2005/03/17
J	LS06-0101	LGO	2006/06/26
K	LS07-0184	MLE	2007/07/23
-	-	-	-
-	-	-	-
-	-	-	-