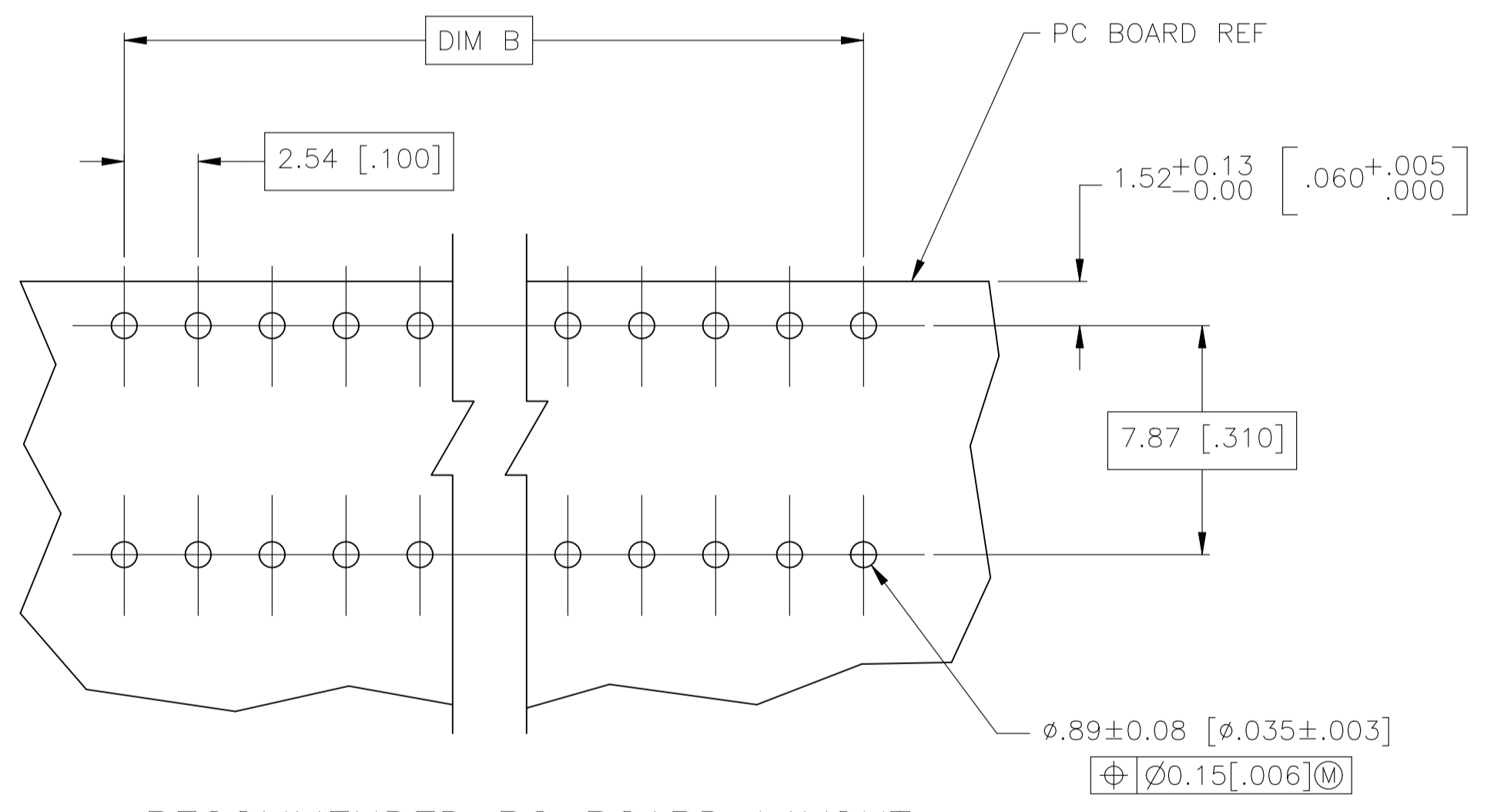
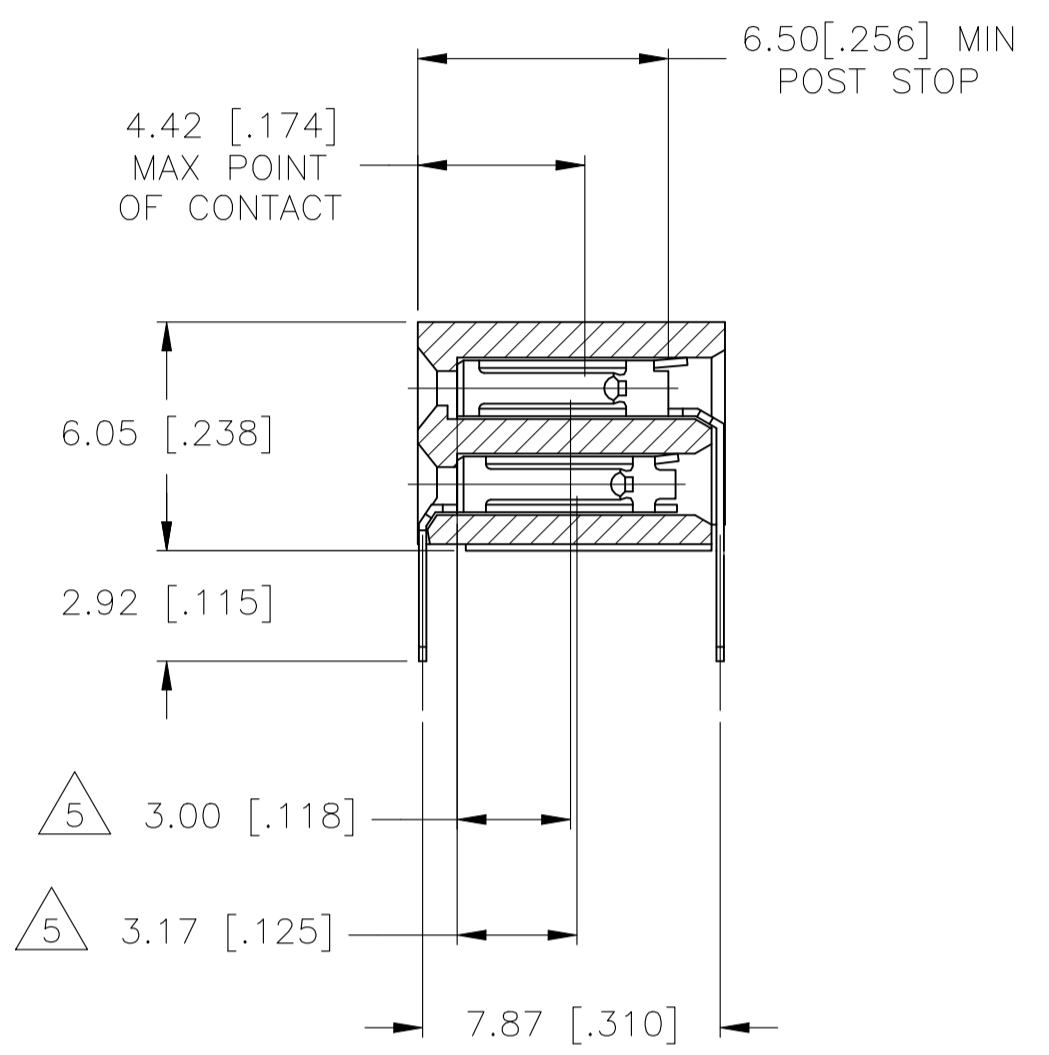
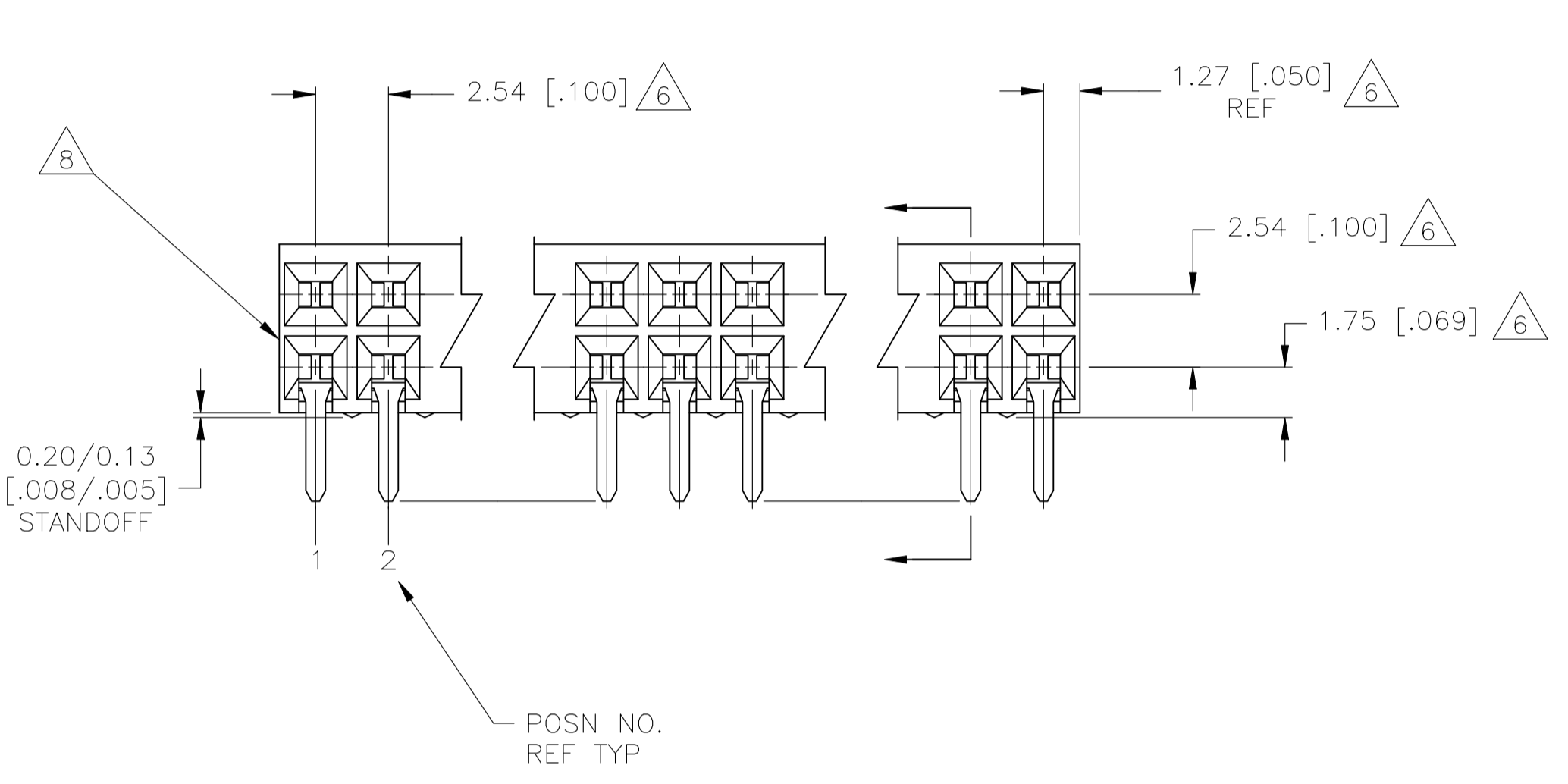
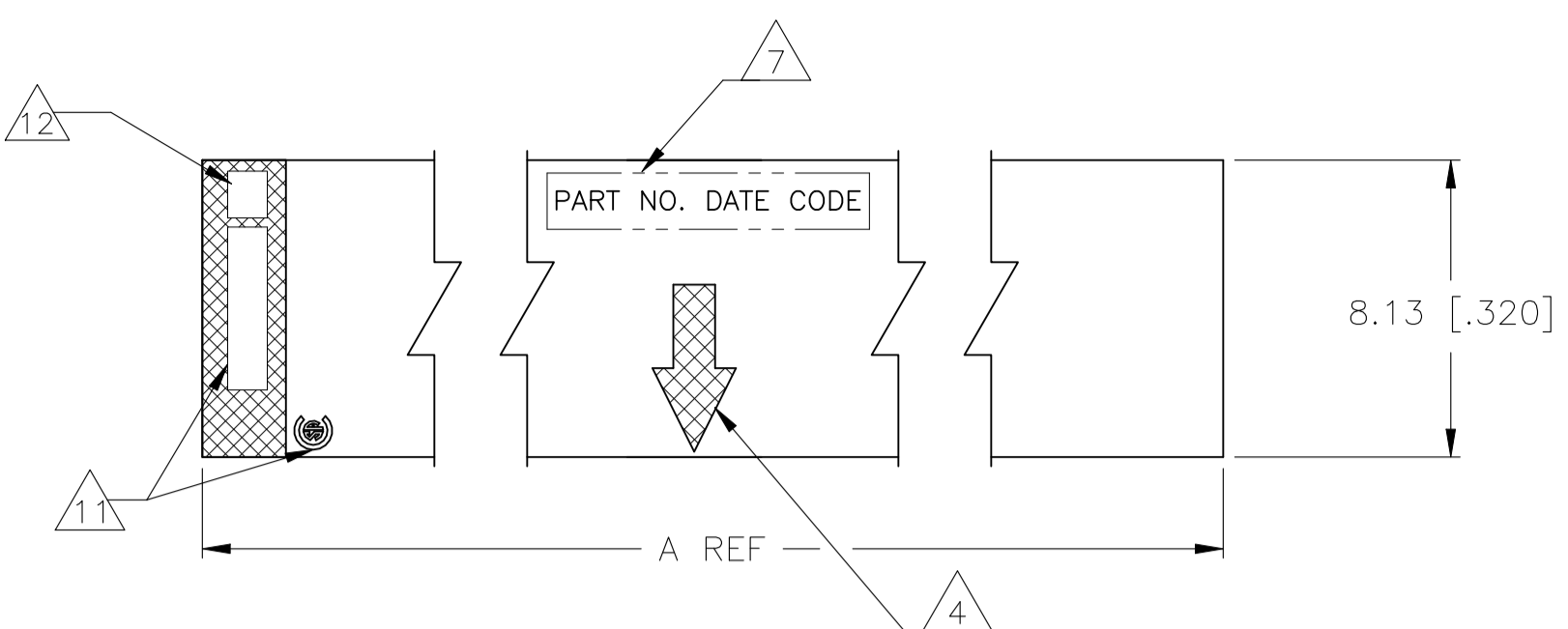


REVISIONS					
P	LTR	DESCRIPTION	DATE	DRN	APVD
C		POSITION 1 MARKING SHOWN	14JUL2022	SCB	PS



RECOMMENDED PC BOARD LAYOUT

- 1 HOUSING MATERIAL: GLASS FILLED POLYESTER, COLOR- BLACK
- 2 CONTACT MATERIAL: PHOSPHOR BRONZE
- 3 CONTACT FINISH: 3.81-7.62(.000150-.000300) THK MATTE TIN ALL OVER 0.00127(.000050)MIN NICKEL, ENTIRE CONTACT.
- 4 MOLDED IN ARROW DESIGNATES THE MATING FACE OF THE CONNECTOR
- 5 POINT OF MEASUREMENT FOR PLATING THICKNESS OF CONTACT AREA
- 6 DIMENSIONS PERTAIN TO HOUSING CAVITY CENTERLINES
- 7 PART NUMBER AND DATE CODE MARKED IN APPROXIMATE LOCATION SHOWN,EITHER END.
- 8 ALTERNATE LOCATION FOR DATE CODE FOR 4 AND 6 POSITION.
- 9 NO PART NUMBER MARKING REQUIRED FOR THIS PART.
- 10 ROHS 2002/95/EC COMPLIANT.
- 11 TE LOGO AND CSA LOGO ARE MOLDED INTO HOUSING, THIS LOCATION.
- 12 POSITION #1 MARKING ON THIS LOCATION FOR ALL PART NUMBERS EXCEPT 6-5102084-4

POSN	CL	DESCRIPTION	DATE	DRN	APVD
4		6-5102084-4			
6		6-5102084-3			
8		6-5102084-2			
10		6-5102084-1			
12		6-5102084-0			
14		5-5102084-9			
16		5-5102084-8			
18		5-5102084-7			
20		5-5102084-6			
22		5-5102084-5			
24		5-5102084-4			
26		5-5102084-3			
28		5-5102084-2			
30		5-5102084-1			
32		5-5102084-0			
34		4-5102084-9			
36		4-5102084-8			
38		4-5102084-7			
40		4-5102084-6			
42		4-5102084-5			
44		4-5102084-4			
46		4-5102084-3			
48		4-5102084-2			
50		4-5102084-1			
52		4-5102084-0			
54		3-5102084-9			
56		3-5102084-8			
58		3-5102084-7			
60		3-5102084-6			
62		3-5102084-5			
64		3-5102084-4			
66		3-5102084-3			
68		3-5102084-2			
70		3-5102084-1			
72		3-5102084-0			
74		2-5102084-9			
76		2-5102084-8			
78		2-5102084-7			
80		2-5102084-6			
82		2-5102084-5			
84		2-5102084-4			
86		2-5102084-3			
88		2-5102084-2			
90		2-5102084-1			
92		2-5102084-0			
94		1-5102084-9			
96		1-5102084-8			
98		1-5102084-7			
100		1-5102084-6			
102		1-5102084-5			
104		1-5102084-4			
106		1-5102084-3			
108		1-5102084-2			
110		1-5102084-1			
112		1-5102084-0			
114		5102084-9			
116		5102084-8			
118		5102084-7			
120		5102084-6			
122		5102084-5			
124		5102084-4			
126		5102084-3			
128		5102084-2			
130		5102084-1			

THIS DRAWING IS A CONTROLLED DOCUMENT. DIN 03NOV04

TE Connectivity

DIMENSIONS: mm	TOLERANCES UNLESS OTHERWISE SPECIFIED:	0. PLC ± -	1. PLC ± -	2. PLC ± -	3. PLC ± 0.13(.005)	4. PLC ± -	ANGLES ± -
MATERIAL	FINISH	WEIGHT	SIZE	CAGE CODE	DRAWING NO.	NO. OF POSN	ASSEMBLY PART NUMBER
			A1	00779	5102084		

CUSTOMER DRAWING SCALE 5:1 SHEET 1 of 1 REV C