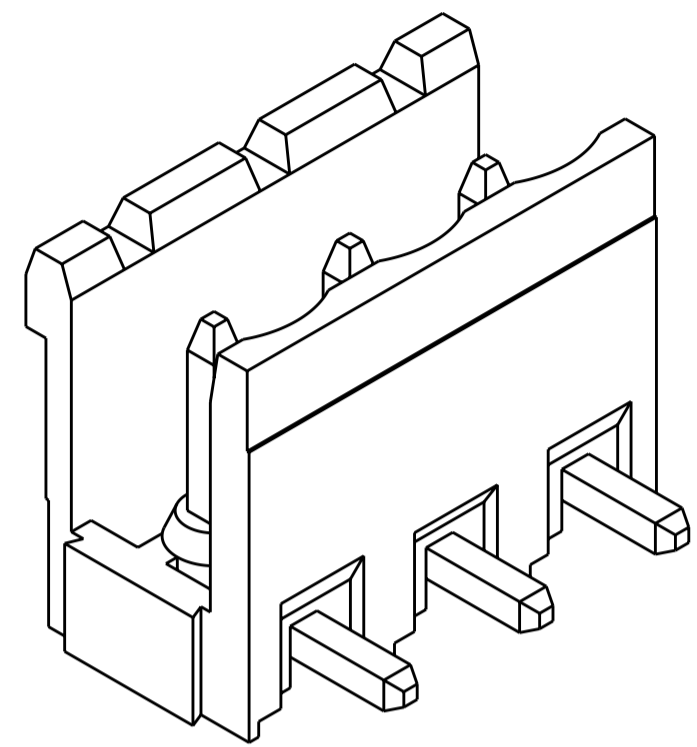
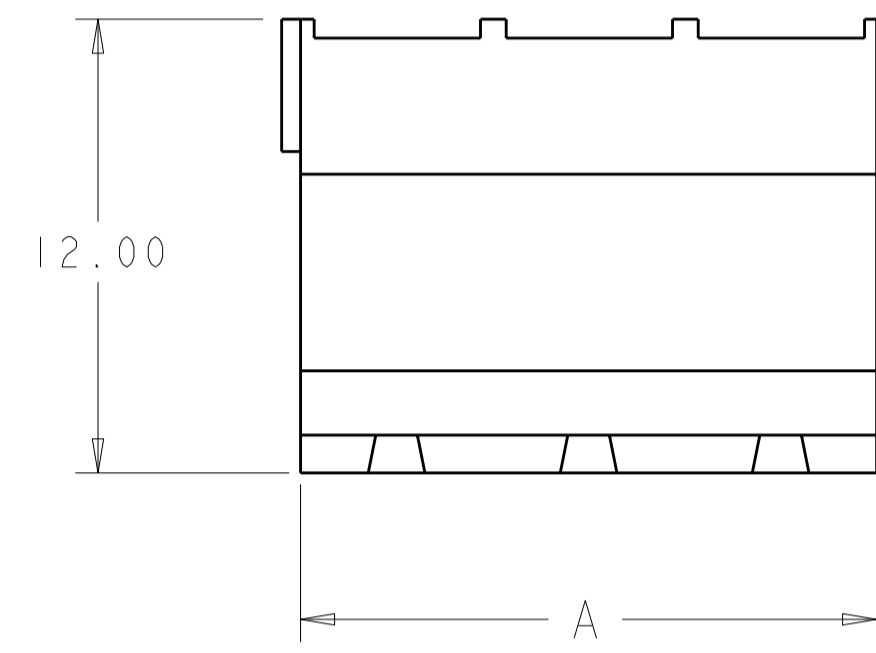


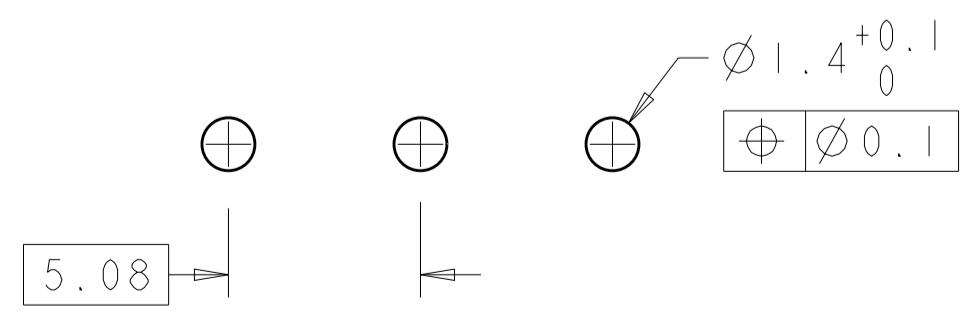
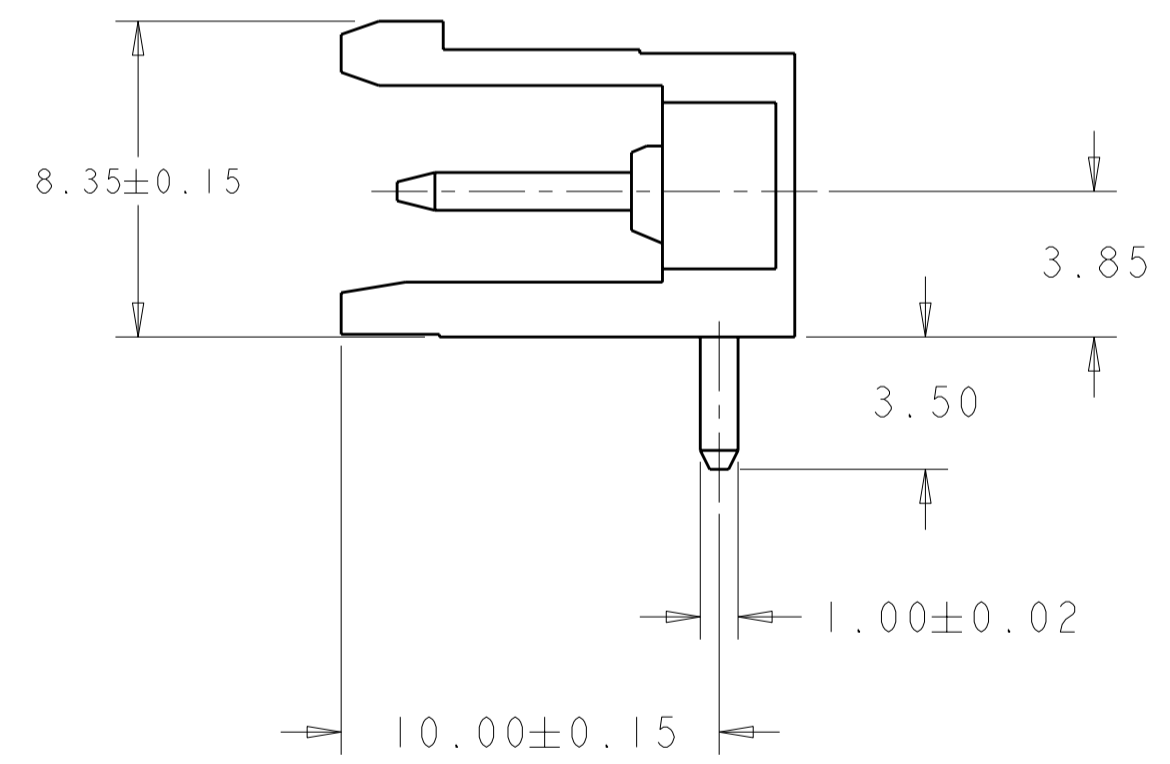
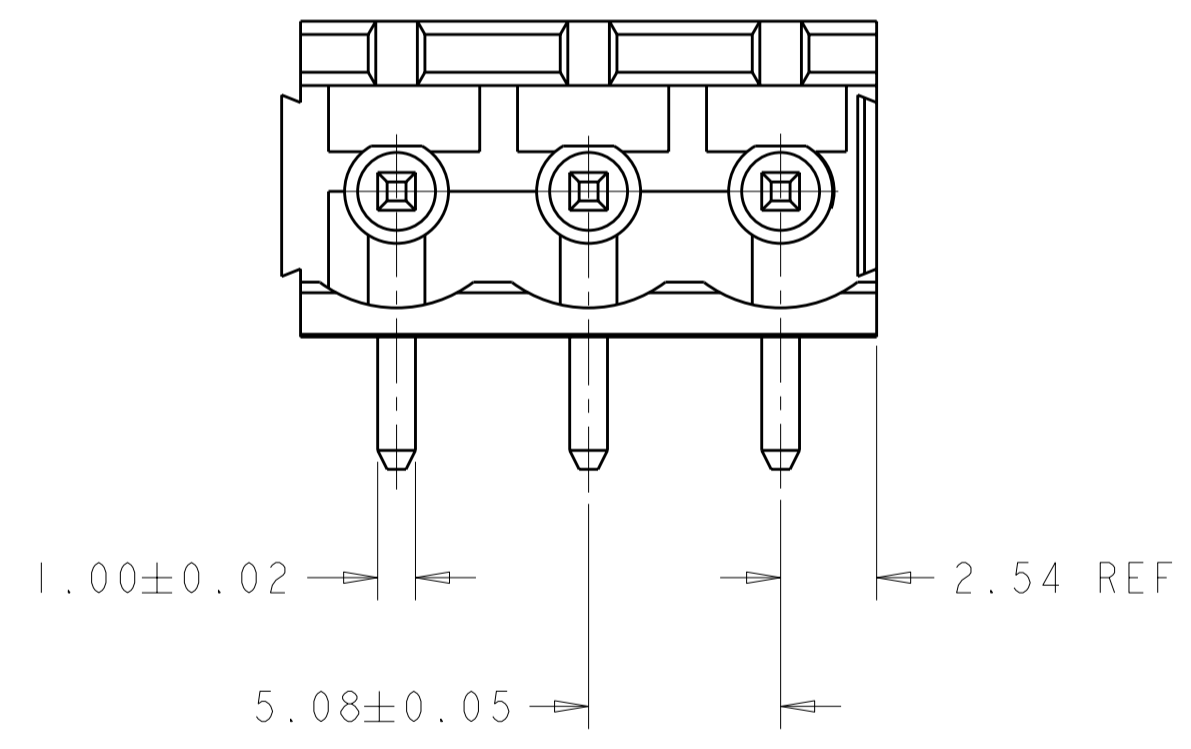
THIS DRAWING IS UNPUBLISHED. RELEASED FOR PUBLICATION 20
 © COPYRIGHT 20 Tyco Electronics AMP GmbH ALL RIGHTS RESERVED.

LOC	DIST	REVISIONS			
P	LTR	DESCRIPTION	DATE	DWN	APVD
FT	0	01 REVISED PER ECO-12-007711	26APR2012	KH	MS



1776145-3 AS SHOWN

- 1. MATERIALS AND FINISH
 HOUSING: HIGH TEMPERATURE POLYAMIDE, UL 94V-0 RATED,
 COLOR: BLACK.
 TERMINAL: COPPER ALLOY, TIN PLATED.
- 2. SUITABLE FOR 1,6-2,4mm PC BOARD THICKNESS.
- 3. END-TO-END STACKABLE WITHOUT LOSS OF CENTERLINE SPACING.
- 4. RECOGNIZED UNDER THE COMPONENT PROGRAM OF UNDERWRITERS LABORATORIES INC. FILE N° E60677.
- 5. IMQ CERTIFICATE WITH SURVEILLANCE IN CONFORMITY WITH IEC 998-1/998-2-1.
- 6. UL RATING: 300V, 15A.



RECOMMENDED PC BOARD LAYOUT

20.0	4	1776145-4
15.0	3	1776145-3
10.0	2	1776145-2
A	NO OF POSN	PART NUMBER

THIS DRAWING IS A CONTROLLED DOCUMENT.		DWN S. WELDON 29JUN2005	STE TE Connectivity	
DIMENSIONS: mm		CHK C. RICHARD 29JUN2005		
TOLERANCES UNLESS OTHERWISE SPECIFIED:		APVD C. RICHARD 29JUN2005	NAME TERMINAL BLOCK HEADER ASSEMBLY	
0 PLC ±.2		PRODUCT SPEC 108-20166	90 DEGREE, OPEN ENDS, STACKING	
1 PLC ±.25		APPLICATION SPEC 114-20079	5.00mm PITCH	
2 PLC ±.25		WEIGHT -	SIZE A2	CAGE CODE 00779
3 PLC ±.25		CUSTOMER DRAWING	DRAWING NO C-1776145	RESTRICTED TO -
4 PLC ±.25			SCALE 3:1	SHEET 1 OF 1
ANGLES ±2				REV 01
FINISH				