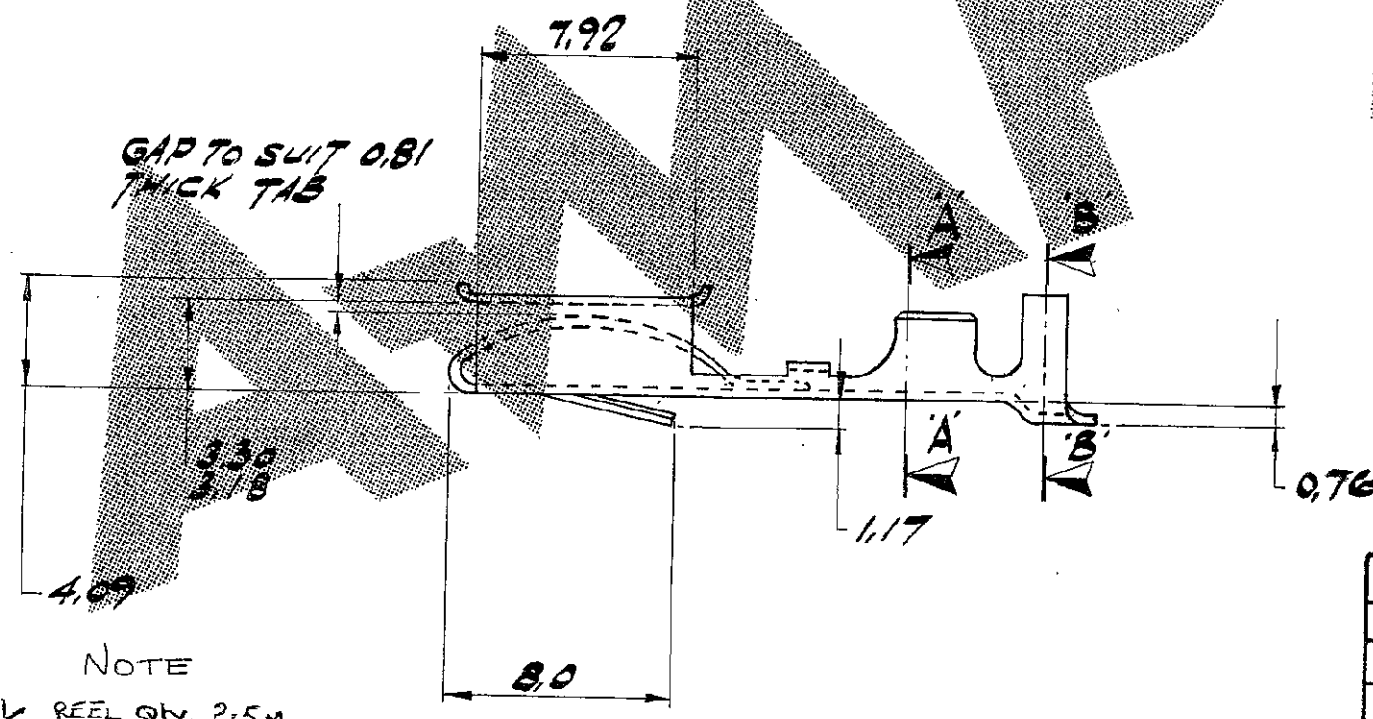
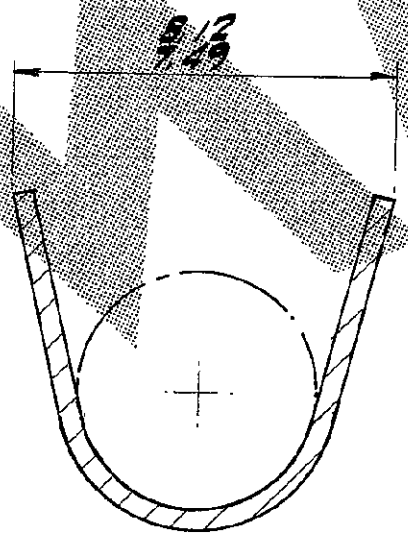
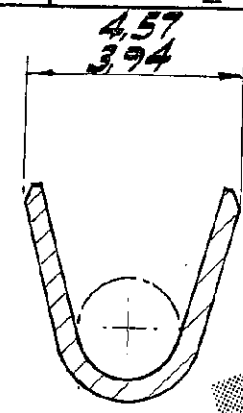
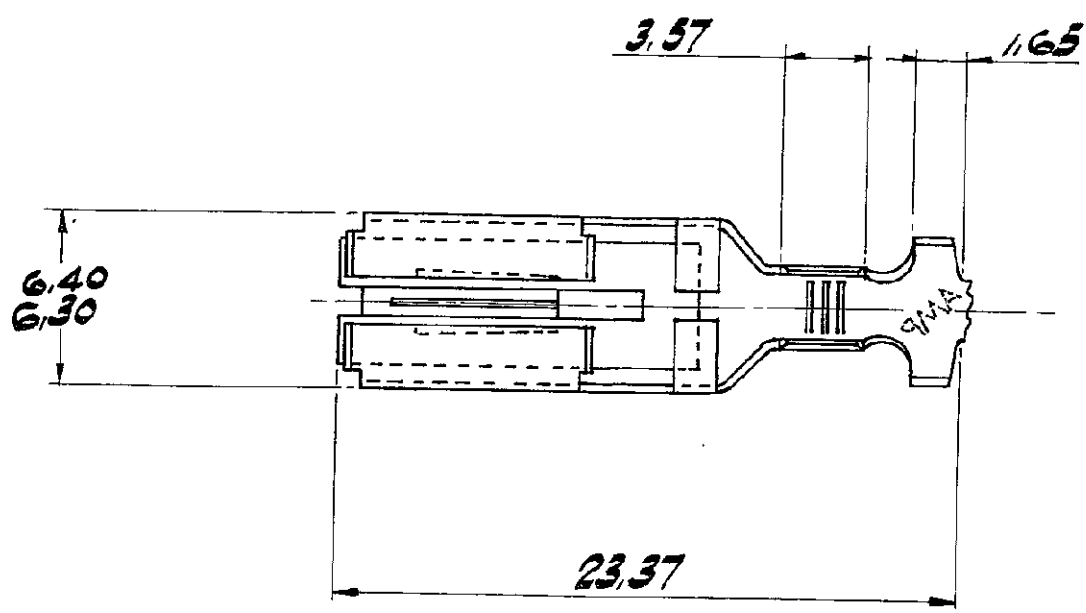


NUMBER C342414

3rd ANGLE (AMERICAN) PROJECTION

METRIC

DIMENSIONS IN M.M DO NOT SCALE PRINT



GAP TO SUIT 0.81 THICK TAB

NOTE
REEL QTY. 2.5M

342875-4	342414-4	PHOS. BRONZE	PRE-TIN
342875-3	342414-3	PHOS. BRONZE	NONE
342875-2	342414-2	BRASS	PRE-TIN
342875-1	342414-1	BRASS	NONE
L.P. PART NO	STRIP PART NO	MATERIAL	FINISH

© AMP of GREAT BRITAIN LTD 1982				CUSTOMER COPY REFERENCE ONLY			
E	SEE ECN ER00-0159-00	K.11	10-3-80	MATERIAL AND FINISH 0.40THICK STOCK		AMP of Great Britain Ltd.	
3	L.P. NOS ADDED	MW	6-3-85	SEE TABLE.		CLASS	
2	3.0-5.3mm ² WAS 12-10 SET AMP LOGO AT 4.5°	J.C.	11.2.83	WIRE - RANGE - INSULATION 3.0-5.3mm ² 33-49		TYPE	
1	FIRST DRAWN	C.S.	15.6.82	TOLERANCE EXCEPT AS NOTED ± 0.5 ± 1° 0'		LOC	NO
ISS REVISION RECORD DR CHK DATE				SCALE		E	B
DR SLOUGH 6/6/82 DE [Signature] 7.91				4:1		NO C342414	
CHK [Signature] 25/6/82 APP				RECEPTACLE			

PRINT DIST.