

DO NOT SCALE FROM THIS PRINT

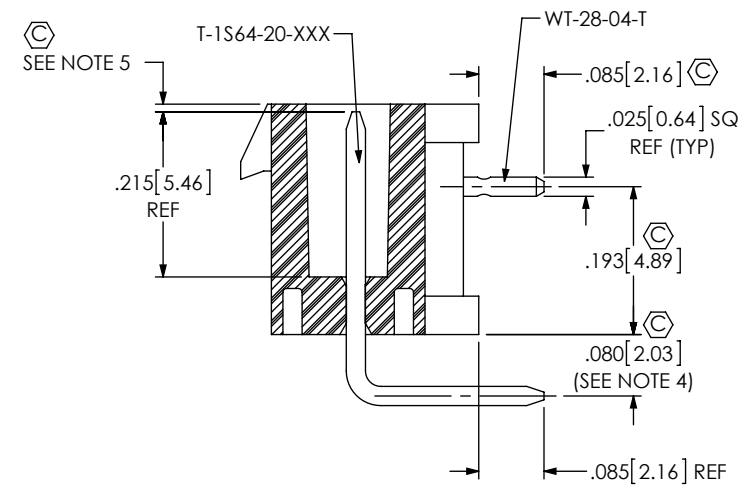
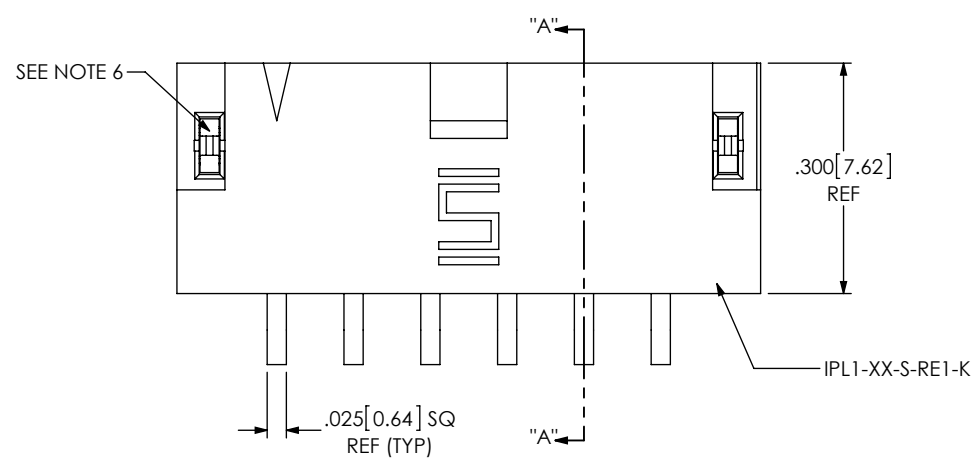
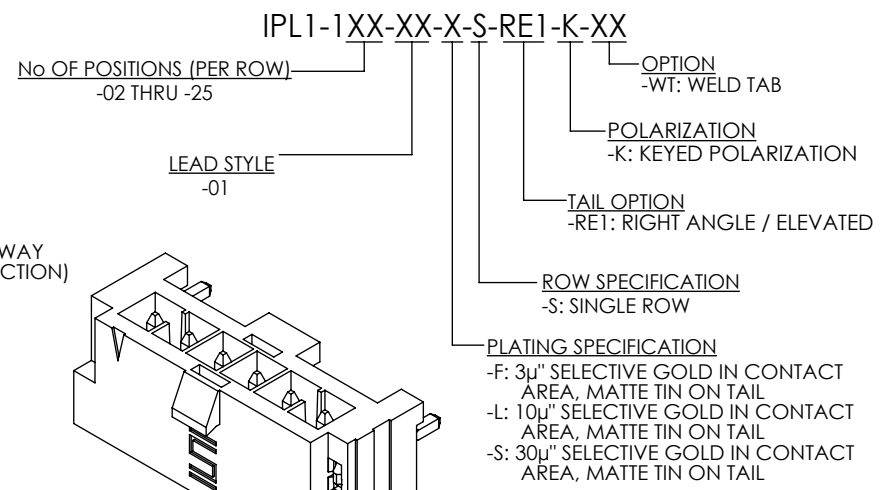
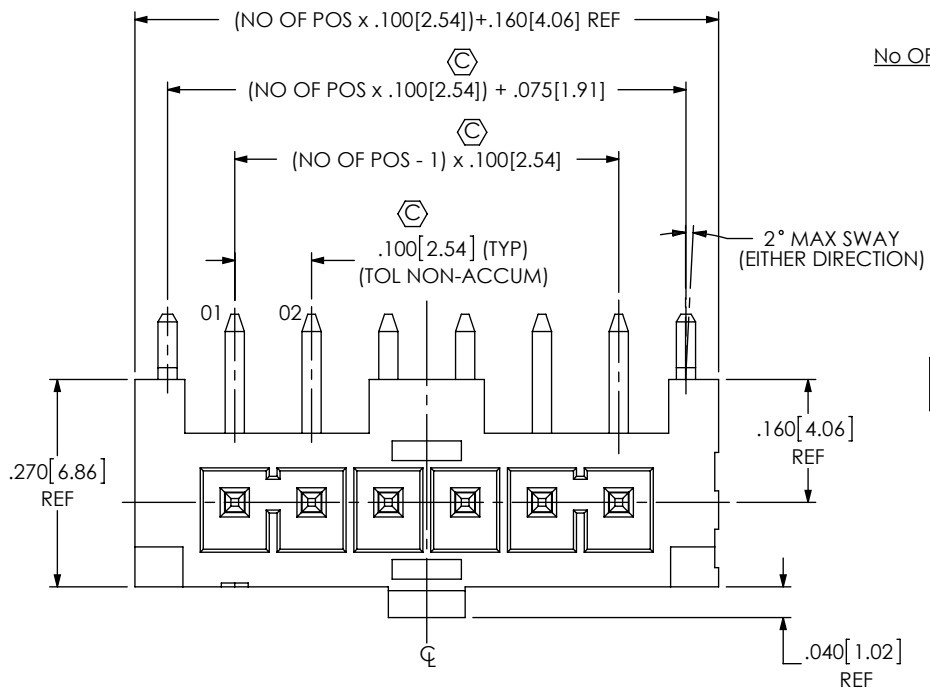


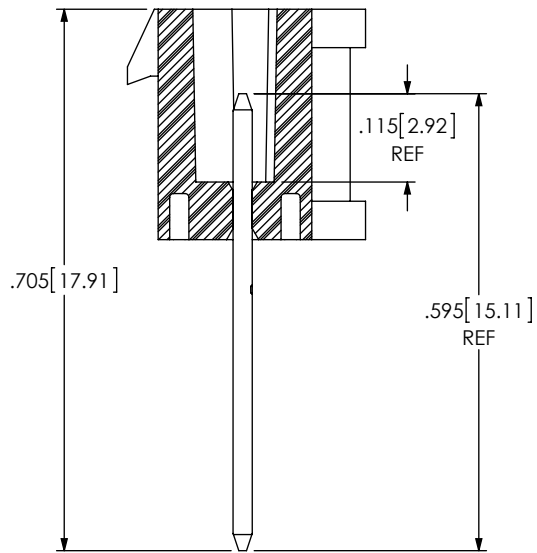
FIG 1  
IPL1-106-01-XXX-S-RE1-K-WT SHOWN

NOTES:

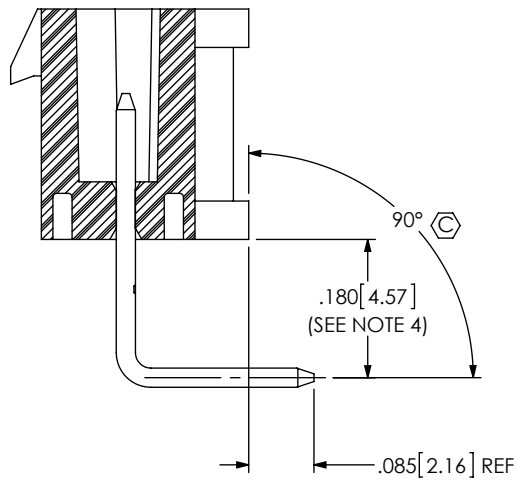
- Ⓢ REPRESENTS A CRITICAL DIMENSION.
- MINIMUM TERMINAL / WELD TAB RETENTION: 1.0LB.[4.4N].
- POST MUST BE WITHIN .005[.13] OF EACH OTHER.
- DIMENSION TO BE MEASURED AT BEND.
- TIP TO BE FLUSH TO .015 BELOW TOP OF SHROUD.
- WELD TABS TO BE INSERTED WHILE ON CARRIER.
- PARTS TO BE PACKAGED IN TUBES.

<p>UNLESS OTHERWISE SPECIFIED, DIMENSIONS ARE IN INCHES. TOLERANCES ARE: DECIMALS      ANGLES .XX: ±.01[.3]      ± 2° .XXX: ±.005[.13] .XXXX: ±.0020[.051]</p>	<p><b>PROPRIETARY NOTE</b> THIS DOCUMENT CONTAINS INFORMATION CONFIDENTIAL AND PROPRIETARY TO SAMTEC, INC. AND SHALL NOT BE REPRODUCED OR TRANSFERRED TO OTHER DOCUMENTS OR DISCLOSED TO OTHERS OR USED FOR ANY PURPOSE OTHER THAN THAT WHICH IT WAS OBTAINED WITHOUT THE EXPRESSED WRITTEN CONSENT OF SAMTEC, INC.</p>	<p><b>samtec</b> 520 PARK EAST BLVD, NEW ALBANY, IN 47150 PHONE: 812-944-6733    FAX: 812-948-5047 e-Mail: info@SAMTEC.com    code 55322</p>	
		<p><b>MATERIAL:</b>      DO NOT SCALE DRAWING      SHEET SCALE: 4:1</p> <p>INSULATOR: LCP UL94-V0, COLOR: BLACK TERMINAL: PHOS BRONZE WELD TAB: BRASS</p>	<p>DESCRIPTION: .100[2.54] ELEVATED RA TERMINAL ASSEMBLY DWG. NO. <b>IPL1-1XX-XX-X-S-RE1-K-XX</b> BY: JESSIEW      4/24/2014      SHEET 1 OF 2</p>

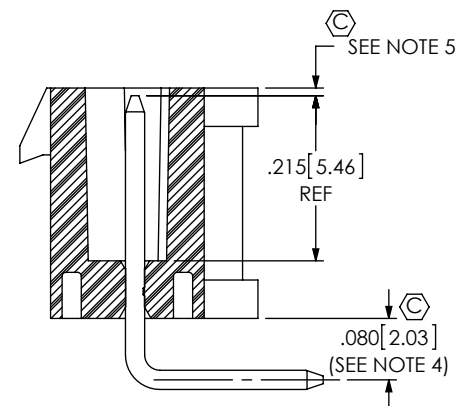
REVISION A



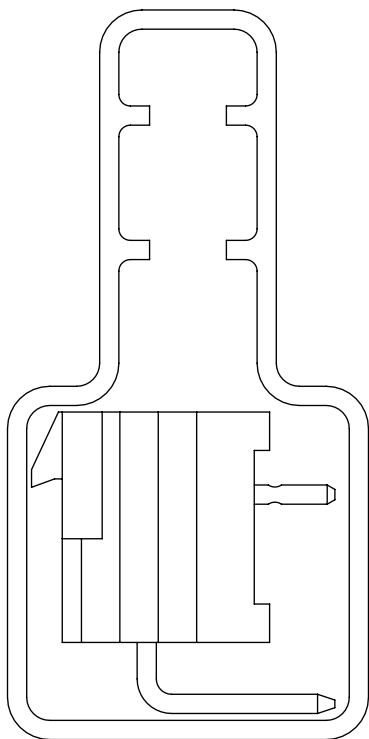
IN-PROCESS 1



IN-PROCESS 2



IN-PROCESS 3



PACKAGING VIEW  
 TUBE:PT-1-24-02-143  
 PLUG:TP-07

PROPRIETARY NOTE

THIS DOCUMENT CONTAINS INFORMATION CONFIDENTIAL AND PROPRIETARY TO SAMTEC, INC. AND SHALL NOT BE REPRODUCED OR TRANSFERRED TO OTHER DOCUMENTS OR DISCLOSED TO OTHERS OR USED FOR ANY PURPOSE OTHER THAN THAT WHICH IT WAS OBTAINED WITHOUT THE EXPRESSED WRITTEN CONSENT OF SAMTEC, INC.

DO NOT SCALE DRAWING

SHEET SCALE: 3:1



520 PARK EAST BLVD, NEW ALBANY, IN 47150  
 PHONE: 812-944-6733 FAX: 812-948-5047  
 e-Mail info@SAMTEC.com code 55322

DESCRIPTION:  
 .100 [2.54] ELEVATED RA TERMINAL ASSEMBLY

DWG. NO.  
 IPL1-1XX-XX-X-S-RE1-K-XX

BY: JESSIEW 4/24/2014 SHEET 2 OF 2