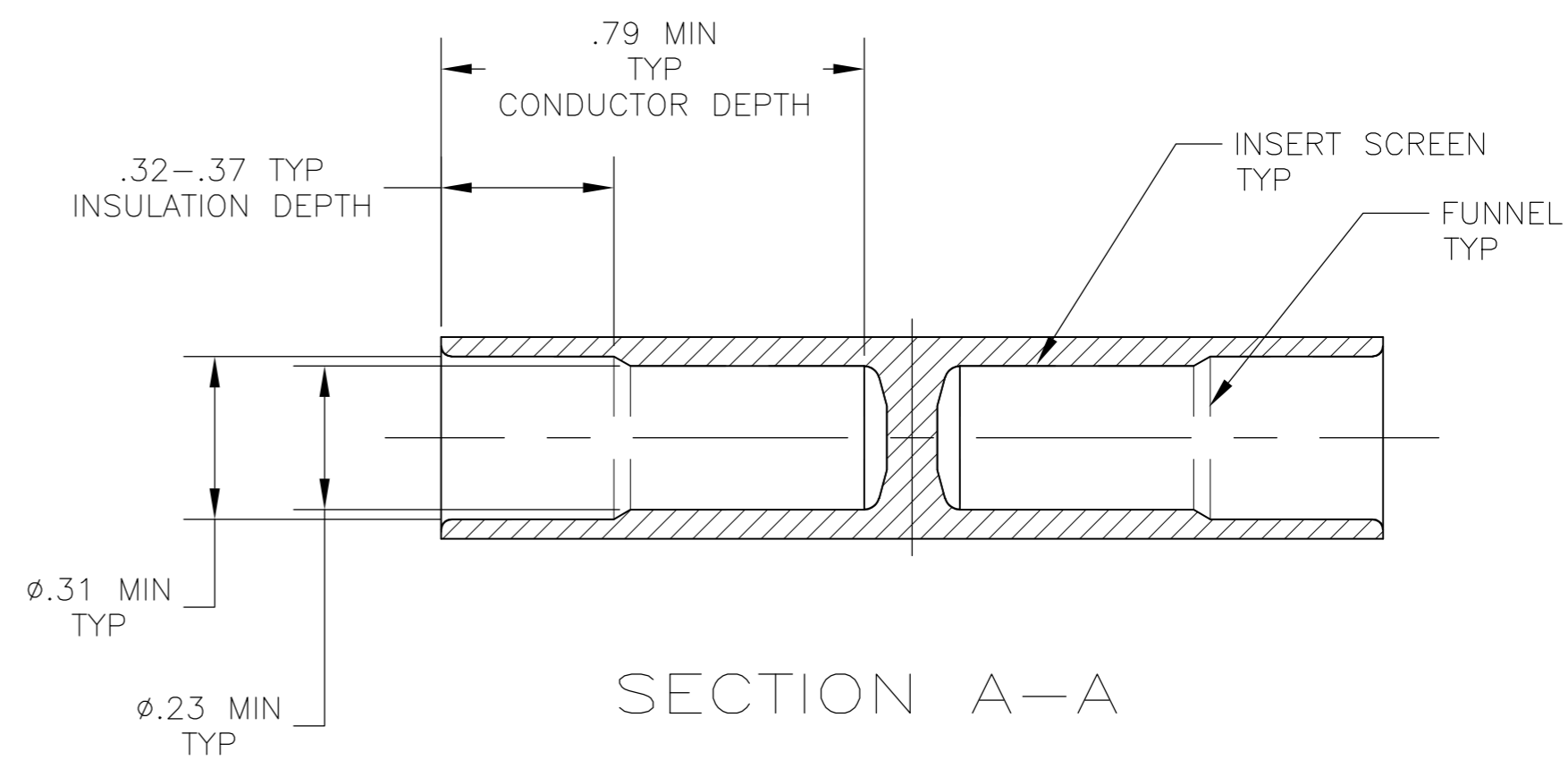
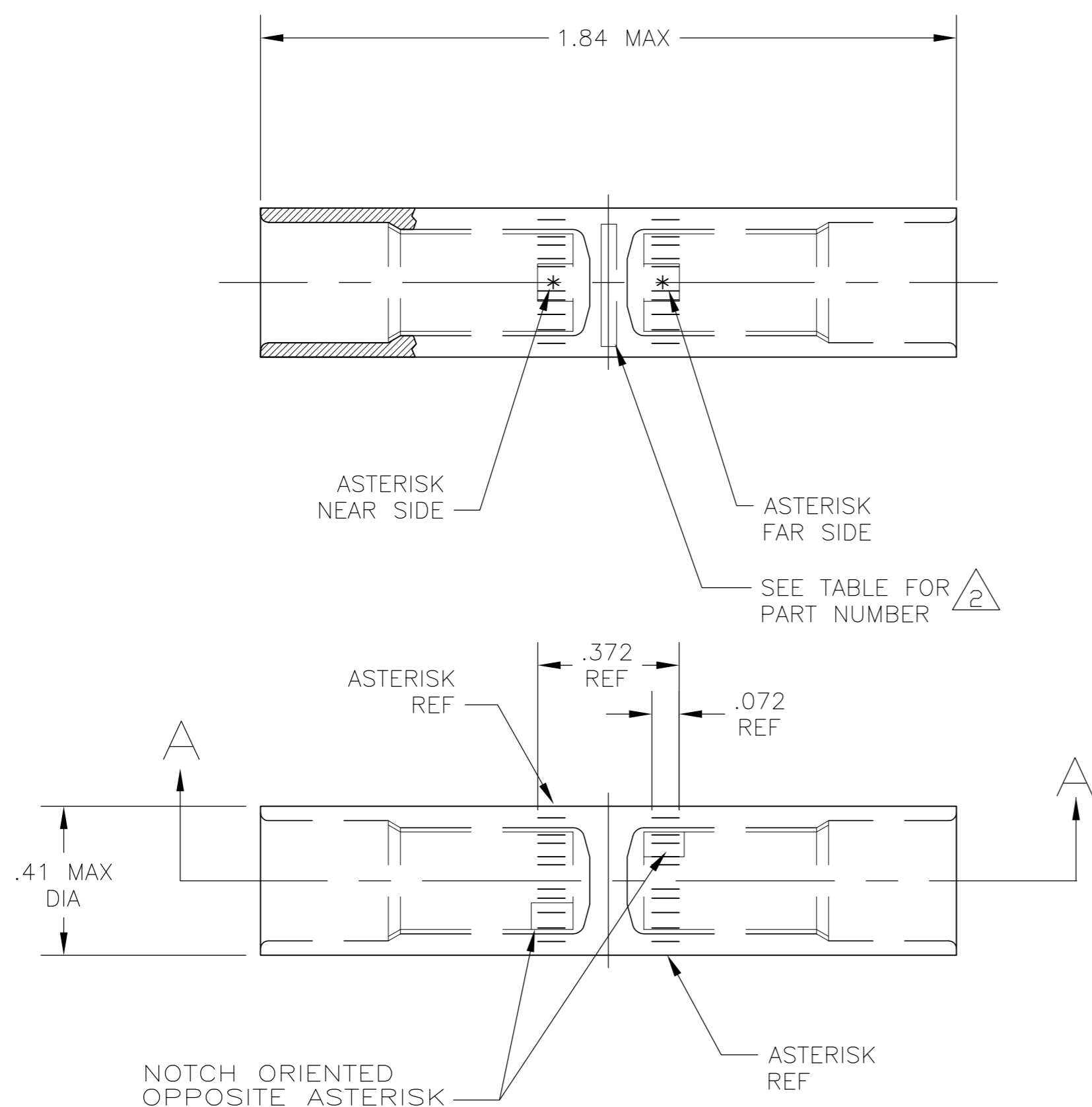


THIS DRAWING IS UNPUBLISHED. RELEASED FOR PUBLICATION
 © COPYRIGHT - By - ALL RIGHTS RESERVED.

LOC	DIST	REVISIONS			
P	LTR	DESCRIPTION	DATE	DWN	APVD
G	86				
		D	REV PER ECO-11-017213	12DEC11	PY BW

- 1 WIRE INSULATION: .260-.298 DIA
- 2 STAMP " 696847-x AMP 6AL-8CU 13-78" SIZE AND LOCATION APPROX AS SHOWN



BODY: COPPER ASTM-B187 ANNEALED TIN PL PER ASTM B-545 .000150 MIN THK INSERT & FUNNEL: BRASS ASTM B36 NICKEL PL SAE AMS QQ-N-290A, DATED JULY 2000, 0.00254 [.000100] MIN THK	696847-1
MATERIAL & FINISH	PART NO.

THIS DRAWING IS A CONTROLLED DOCUMENT.		DWN	JR RUTH	08NOV06	 TE Connectivity
DIMENSIONS: INCHES		CHK	MS FEHER	08NOV06	
TOLERANCES UNLESS OTHERWISE SPECIFIED:		APVD	MJ SPICER	08NOV06	
0 PLC ± - 1 PLC ± - 2 PLC ± .008 3 PLC ± - 4 PLC ± - ANGLES ± -		PRODUCT SPEC	NAME		
MATERIAL SEE TABLE		FINISH	SEE TABLE		WIRE SPLICE, BUTT, SEALED COPALUM 6 AL - 8CU
WEIGHT - GRAMS		A2 00779		C=696847	RESTRICTED TO
CUSTOMER DRAWING		SCALE	3:1	SHEET	1 of 1
		REV	D		