

Evaluating the **AD5546** Current Output/Serial Input DACs

FEATURES

- Full-featured evaluation board for the **AD5546****
- Graphic user interface software for board control and data analysis**
- Connector to **EVAL-SDP-CB1Z** system demonstration platform board**
- Various power supply options**

APPLICATIONS

- Automatic test equipment Instrumentation**
- Digitally controlled calibration**
- Digital waveform generation**

GENERAL DESCRIPTION

The **AD5546** is a precision 16-bit, multiplying, low power, current output, parallel input digital-to-analog converter (DAC).

It operates from a single 2.7 V to 5.5 V supply with ± 10 V multiplying references for four-quadrant outputs. Built-in four-quadrant resistors facilitate the resistance matching and temperature tracking that minimize the number of components needed for multiquadrant applications.

The applied external reference input voltage (V_{REF}) determines the full-scale output current. The feedback resistor (R_{FB}) simplifies the I-to-V conversion with an external buffer.

The **AD5546** is packaged in compact 28-lead TSSOP packages with operating temperatures from -40°C to $+125^{\circ}\text{C}$.

The **EVAL-AD5546SDZ** is used in conjunction with the **EVAL-SDP-CB1Z** system demonstration platform (SDP) board available from Analog Devices, Inc., which is purchased separately from the evaluation board. The USB-to-SPI communication to the DAC is completed using this Blackfin[®]-based demonstration board.

FUNCTIONAL BLOCK DIAGRAM

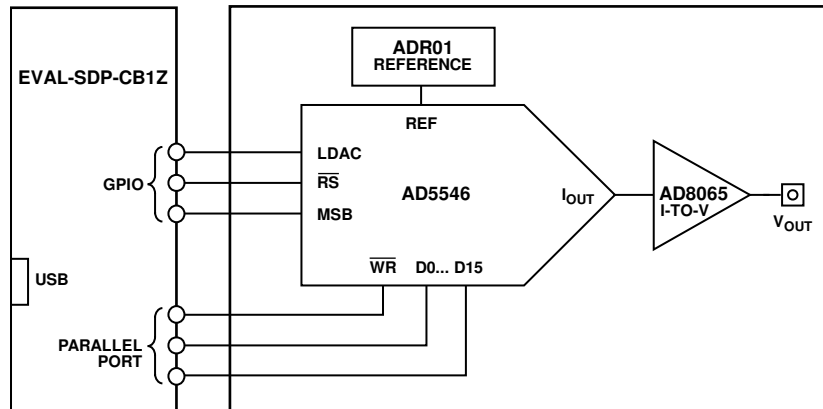


Figure 1.

10112-001

TABLE OF CONTENTS

Features	1	Applications Provided.....	4
Applications.....	1	Using the Evaluation Board Software	5
General Description	1	Example	5
Functional Block Diagram	1	Evaluation Board Schematics and Artwork.....	6
Revision History	2	Schematics.....	6
Evaluation Board Software	3	Evaluation Board Layout	8
Installing the Software	3	Related Links.....	9
Running the Software	3		

REVISION HISTORY

3/12—Rev. 0 to Rev. A

Added New Table 1; Renumbered Sequentially	4
Changes to the Example Section	5
Replaced Evaluation Board Schematics and Artwork Section ...	6

11/11—Revision 0: Initial Version

EVALUATION BOARD SOFTWARE

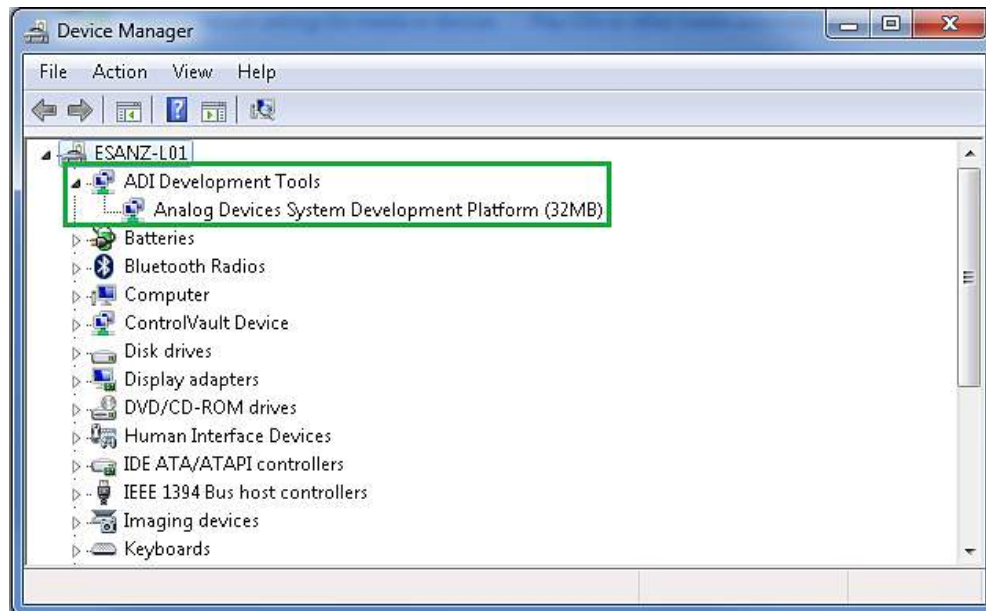


Figure 2. Device Manager Showing the SDP Board Connected

INSTALLING THE SOFTWARE

The [EVAL-AD5546SDZ](#) kit includes the software and drivers on a CD. To install the software, follow these steps:

1. Install the software before connecting the SDP board to the USB port of the PC.
2. Start the Windows® operating system and insert the [EVAL-AD5546SDZ](#) CD.
3. Download the [EVAL-AD5546SDZ](#) LabVIEW™ software. The correct driver for the SDP board, SDPDriversNET, should download automatically after LabVIEW is downloaded, supporting both 32- and 64-bit systems. However, if the drivers do not download automatically, the driver executable file can also be found in the **Program Files/Analog Devices** folder. Follow the on-screen prompts to install it.
4. After installation of the software and drivers is complete, plug the [EVAL-AD5546SDZ](#) into the SDP board and the SDP board into the PC using the USB cable included in the kit.
5. When the software detects the evaluation board, proceed through any dialog boxes that appear to finalize the installation (for example, **Found New Hardware Wizard** and **Install the Software Automatically**).

RUNNING THE SOFTWARE

To run the evaluation board program, do the following:

1. Click **Start/All Programs/Analog Devices/EVAL-AD5546SDZ**.
2. If the SDP board is not connected to the USB port when the software is launched, a connectivity error displays (see Figure 3). Simply connect the evaluation board to the USB port of the PC, wait a few seconds, click **Rescan**, and follow the instructions.



Figure 3. Connectivity Error

APPLICATIONS PROVIDED

The [EVAL-AD5546SDZ](#) board provides the possibility of configuring the DAC in two different unipolar two-quadrant multiplying modes. Table 1 show how to select the desired voltage reference. Table 2 shows the connections needed to obtain these unipolar modes.

Table 1. Voltage Reference Selection

Link Connections		Function
Link No.	Position	
LK1	IN	Internal voltage reference ADR01 connected.
	OUT	External voltage reference connected to VREF (J3 SMB connector).

Table 2. Applications Provided

Link Connections		Function
Link No.	Position	
LK2	A	Unipolar two-quadrant multiplying mode, $V_{OUT} = 0\text{ V to }-V_{REF}$
LK3	A	
LK4	In	
LK2	B	Unipolar two-quadrant multiplying mode, $V_{OUT} = 0\text{ V to }+V_{REF}$
LK3	B	
LK4	Out	

USING THE EVALUATION BOARD SOFTWARE

When the software is launched, the main window appears (see Figure 4).



Figure 4. Main Window

The desired data loads and updates the DAC's output when LDAC is brought high.

The reset button, /RS, updates all channel outputs to zero scale or midscale when MSB is pulled low or high.

EXAMPLE

Using the internal voltage reference in the unipolar two-quadrant multiplying mode ($V_{OUT} = 0\text{ V to }-V_{REF}$), with LDAC, MSB, and RS tied high, specify quarter scale (0x4000 or 16,384 decimal) in the **Input Data** box and click **Write DAC**. The expected output obtained is

$$V_{OUT} = -V_{REF} \times \frac{D}{65,536} = -10 \times \frac{16,384}{65,536} = -2.5\text{ V}$$

If \overline{RS} is tied low, with MSB tied high, a reset takes place in the part, changing the output to half scale (0x8000 or 32,768 decimal).

$$V_{OUT} = -V_{REF} \times \frac{D}{65,536} = -10 \times \frac{32,768}{65,536} = -5\text{ V}$$

EVALUATION BOARD SCHEMATICS AND ARTWORK
SCHEMATICS

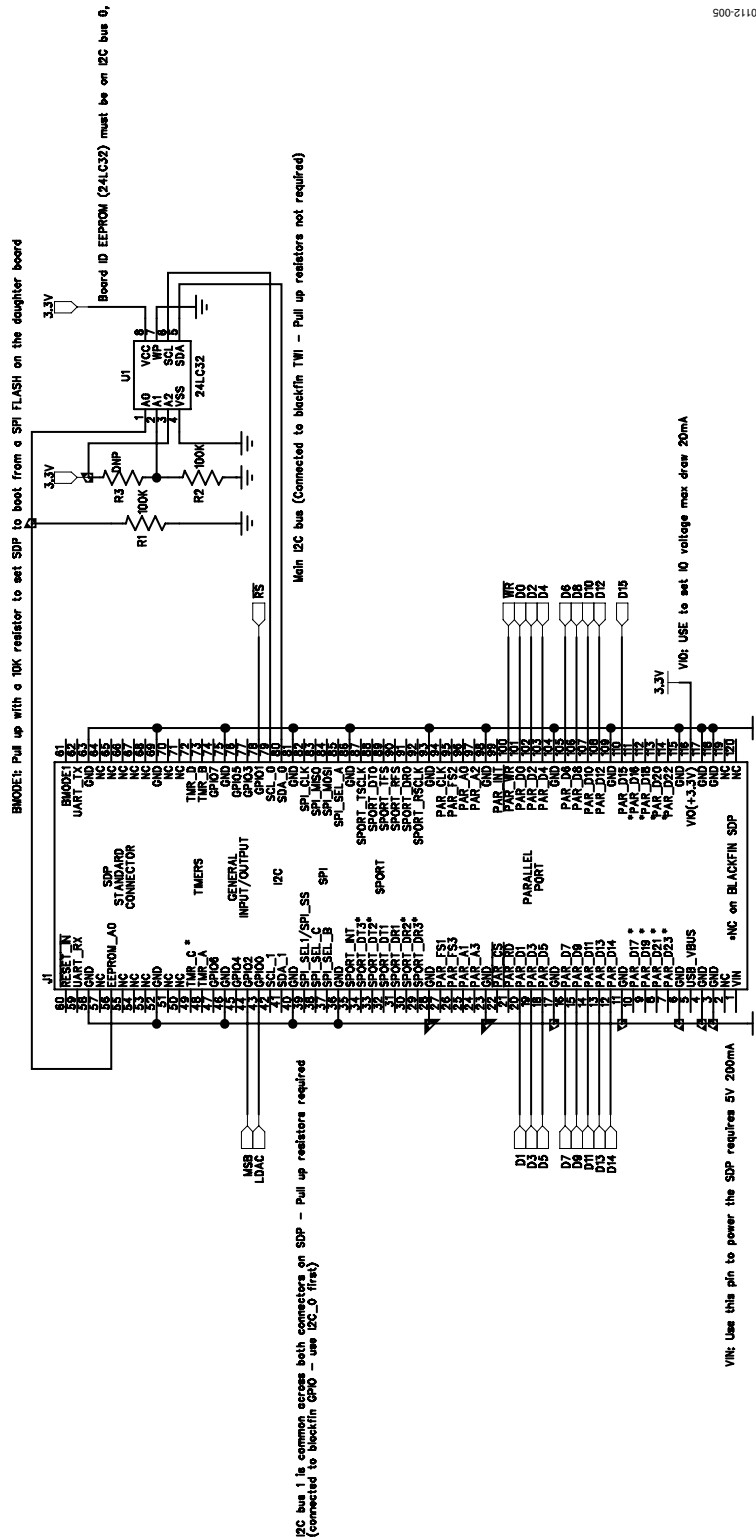


Figure 5. EVAL-AD5546SDZ Schematic, SDP Connector

10112-006

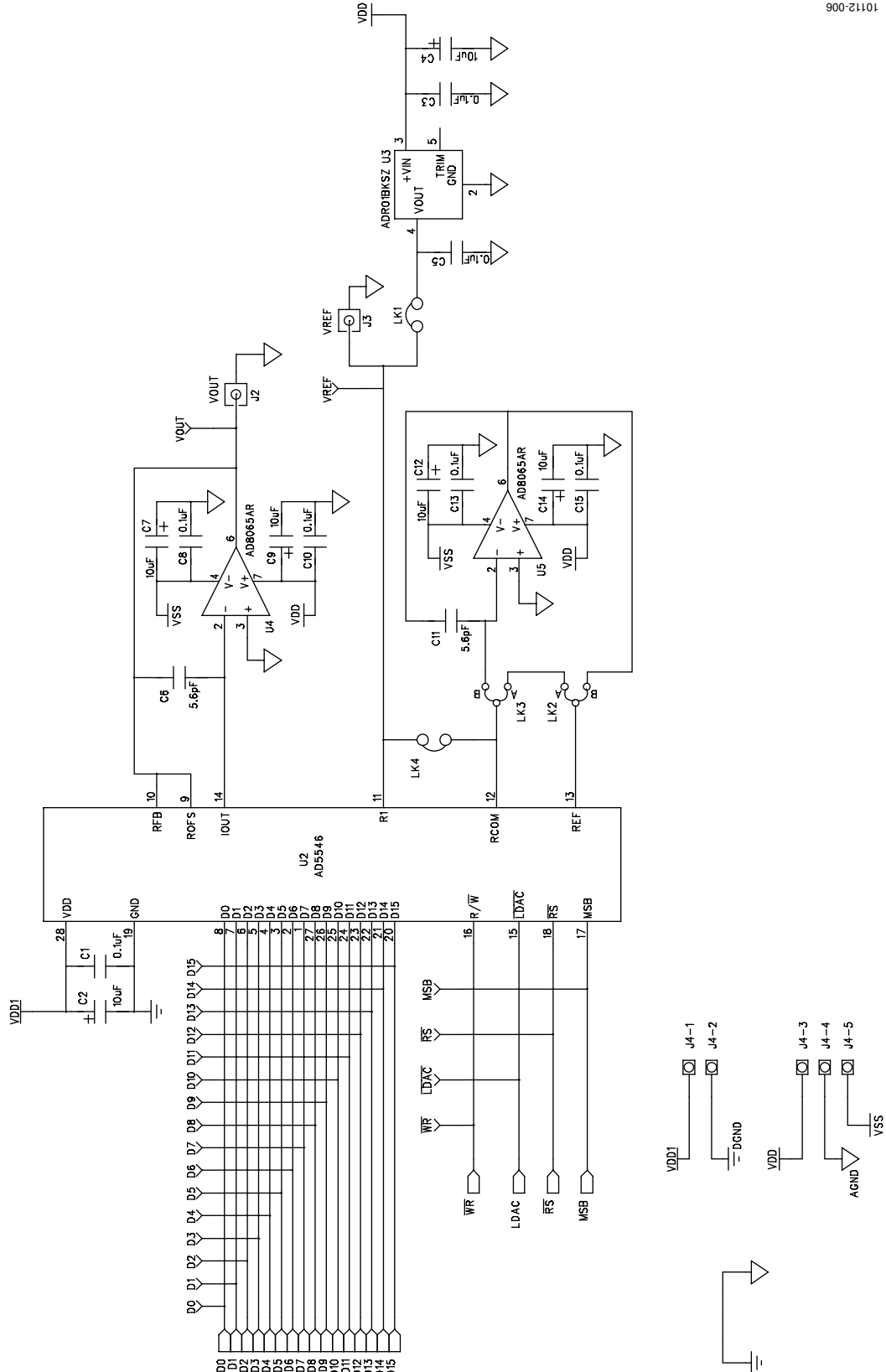


Figure 6. EVAL-AD5546SDZ Schematic, DAC

EVALUATION BOARD LAYOUT

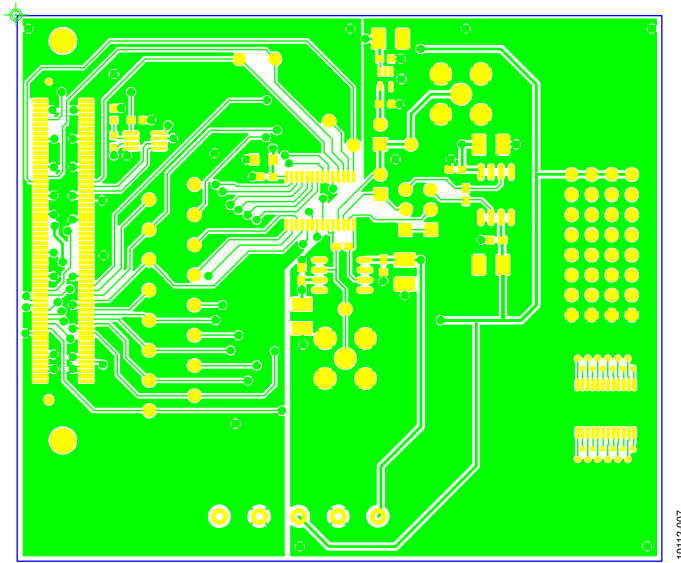


Figure 7. Silkscreen

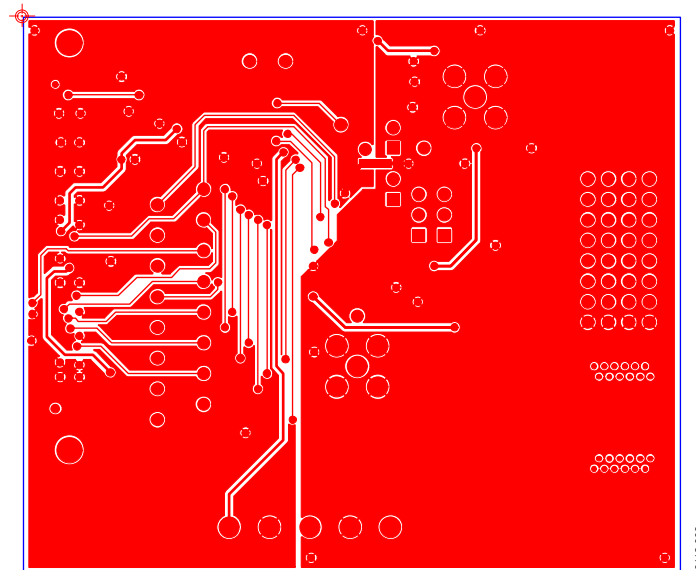


Figure 8. Component Side

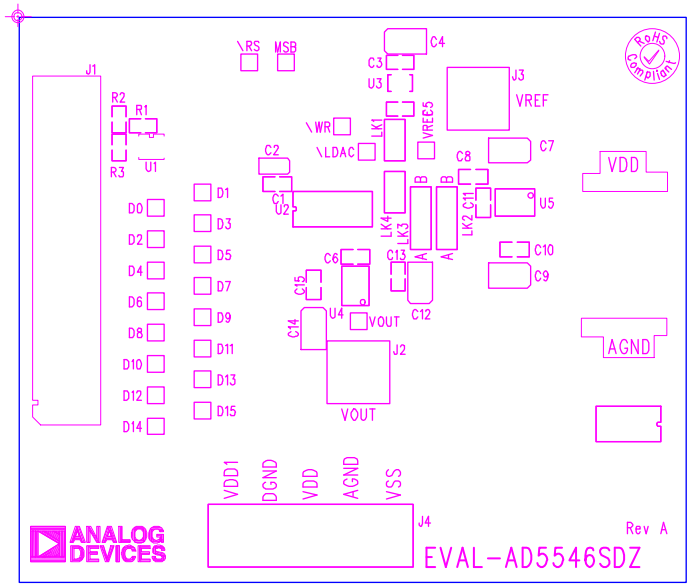


Figure 9. Solder Side

RELATED LINKS

Resource	Description
AD5546	Product Page, AD5546 Current-Output Parallel-Input, 16-Bit Digital-toAnalog-Converter
ADR01	Product Page, ADR01 Ultracompact, Precision 10.0 V Voltage Reference
AD8065	Product Page, AD8065: High Performance, 145 MHz FastFET™ Op Amp
EVAL-SDP-CB1Z	Product Page, SDP-B: System Demonstration Platform—Blackfin

NOTES

NOTES

NOTES

**ESD Caution**

ESD (electrostatic discharge) sensitive device. Charged devices and circuit boards can discharge without detection. Although this product features patented or proprietary protection circuitry, damage may occur on devices subjected to high energy ESD. Therefore, proper ESD precautions should be taken to avoid performance degradation or loss of functionality.

Legal Terms and Conditions

By using the evaluation board discussed herein (together with any tools, components documentation or support materials, the "Evaluation Board"), you are agreeing to be bound by the terms and conditions set forth below ("Agreement") unless you have purchased the Evaluation Board, in which case the Analog Devices Standard Terms and Conditions of Sale shall govern. Do not use the Evaluation Board until you have read and agreed to the Agreement. Your use of the Evaluation Board shall signify your acceptance of the Agreement. This Agreement is made by and between you ("Customer") and Analog Devices, Inc. ("ADI"), with its principal place of business at One Technology Way, Norwood, MA 02062, USA. Subject to the terms and conditions of the Agreement, ADI hereby grants to Customer a free, limited, personal, temporary, non-exclusive, non-sublicensable, non-transferable license to use the Evaluation Board FOR EVALUATION PURPOSES ONLY. Customer understands and agrees that the Evaluation Board is provided for the sole and exclusive purpose referenced above, and agrees not to use the Evaluation Board for any other purpose. Furthermore, the license granted is expressly made subject to the following additional limitations: Customer shall not (i) rent, lease, display, sell, transfer, assign, sublicense, or distribute the Evaluation Board; and (ii) permit any Third Party to access the Evaluation Board. As used herein, the term "Third Party" includes any entity other than ADI, Customer, their employees, affiliates and in-house consultants. The Evaluation Board is NOT sold to Customer; all rights not expressly granted herein, including ownership of the Evaluation Board, are reserved by ADI. CONFIDENTIALITY. This Agreement and the Evaluation Board shall all be considered the confidential and proprietary information of ADI. Customer may not disclose or transfer any portion of the Evaluation Board to any other party for any reason. Upon discontinuation of use of the Evaluation Board or termination of this Agreement, Customer agrees to promptly return the Evaluation Board to ADI. ADDITIONAL RESTRICTIONS. Customer may not disassemble, decompile or reverse engineer chips on the Evaluation Board. Customer shall inform ADI of any occurred damages or any modifications or alterations it makes to the Evaluation Board, including but not limited to soldering or any other activity that affects the material content of the Evaluation Board. Modifications to the Evaluation Board must comply with applicable law, including but not limited to the RoHS Directive. TERMINATION. ADI may terminate this Agreement at any time upon giving written notice to Customer. Customer agrees to return to ADI the Evaluation Board at that time. LIMITATION OF LIABILITY. THE EVALUATION BOARD PROVIDED HEREUNDER IS PROVIDED "AS IS" AND ADI MAKES NO WARRANTIES OR REPRESENTATIONS OF ANY KIND WITH RESPECT TO IT. ADI SPECIFICALLY DISCLAIMS ANY REPRESENTATIONS, ENDORSEMENTS, GUARANTEES, OR WARRANTIES, EXPRESS OR IMPLIED, RELATED TO THE EVALUATION BOARD INCLUDING, BUT NOT LIMITED TO, THE IMPLIED WARRANTY OF MERCHANTABILITY, TITLE, FITNESS FOR A PARTICULAR PURPOSE OR NON-INFRINGEMENT OF INTELLECTUAL PROPERTY RIGHTS. IN NO EVENT WILL ADI AND ITS LICENSORS BE LIABLE FOR ANY INCIDENTAL, SPECIAL, INDIRECT, OR CONSEQUENTIAL DAMAGES RESULTING FROM CUSTOMER'S POSSESSION OR USE OF THE EVALUATION BOARD, INCLUDING BUT NOT LIMITED TO LOST PROFITS, DELAY COSTS, LABOR COSTS OR LOSS OF GOODWILL. ADI'S TOTAL LIABILITY FROM ANY AND ALL CAUSES SHALL BE LIMITED TO THE AMOUNT OF ONE HUNDRED US DOLLARS (\$100.00). EXPORT. Customer agrees that it will not directly or indirectly export the Evaluation Board to another country, and that it will comply with all applicable United States federal laws and regulations relating to exports. GOVERNING LAW. This Agreement shall be governed by and construed in accordance with the substantive laws of the Commonwealth of Massachusetts (excluding conflict of law rules). Any legal action regarding this Agreement will be heard in the state or federal courts having jurisdiction in Suffolk County, Massachusetts, and Customer hereby submits to the personal jurisdiction and venue of such courts. The United Nations Convention on Contracts for the International Sale of Goods shall not apply to this Agreement and is expressly disclaimed.