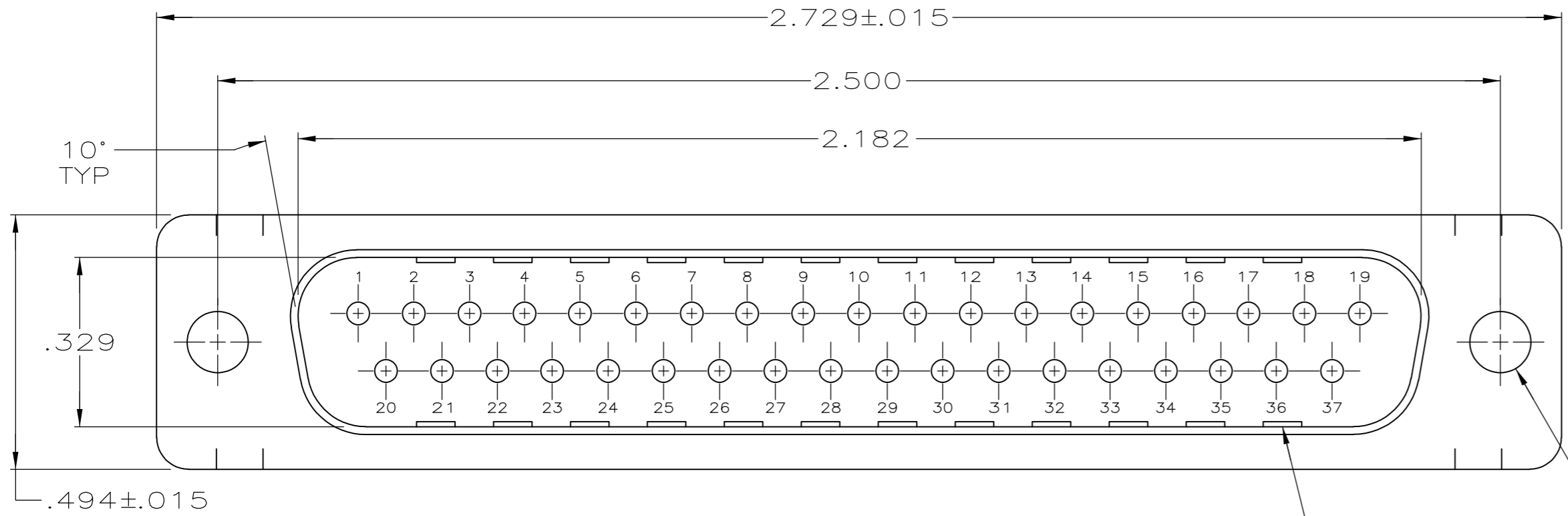


THIS DRAWING IS UNPUBLISHED. RELEASED FOR PUBLICATION
 © COPYRIGHT - By - ALL RIGHTS RESERVED.

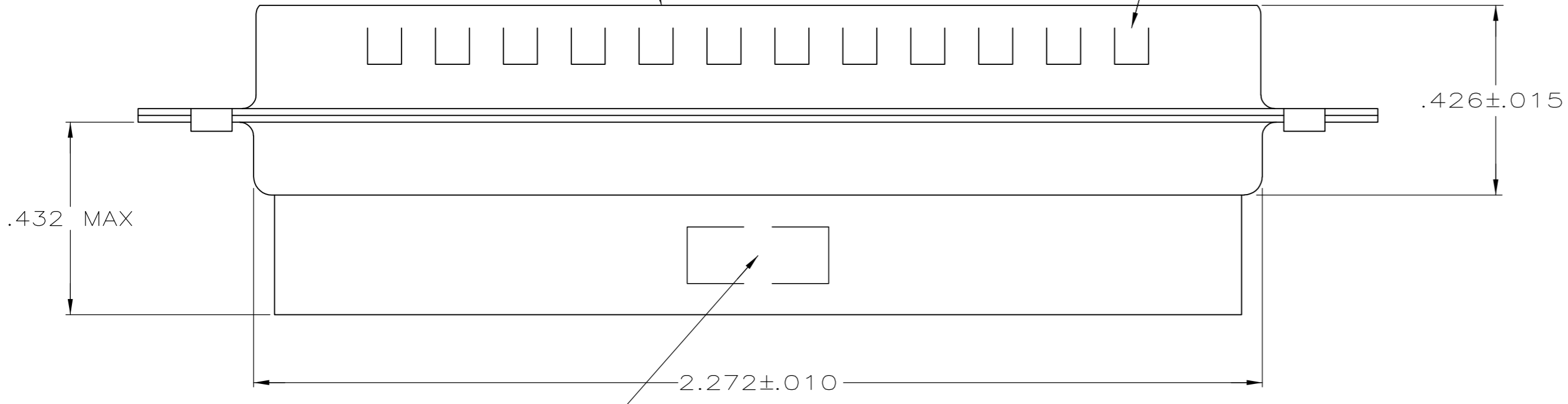
LOC	DIST	REVISIONS					
GP	00	P	LTR	DESCRIPTION	DATE	DWN	APVD
		L		REVISED PER ECO-14-011808	09AUG2014	AP	SB



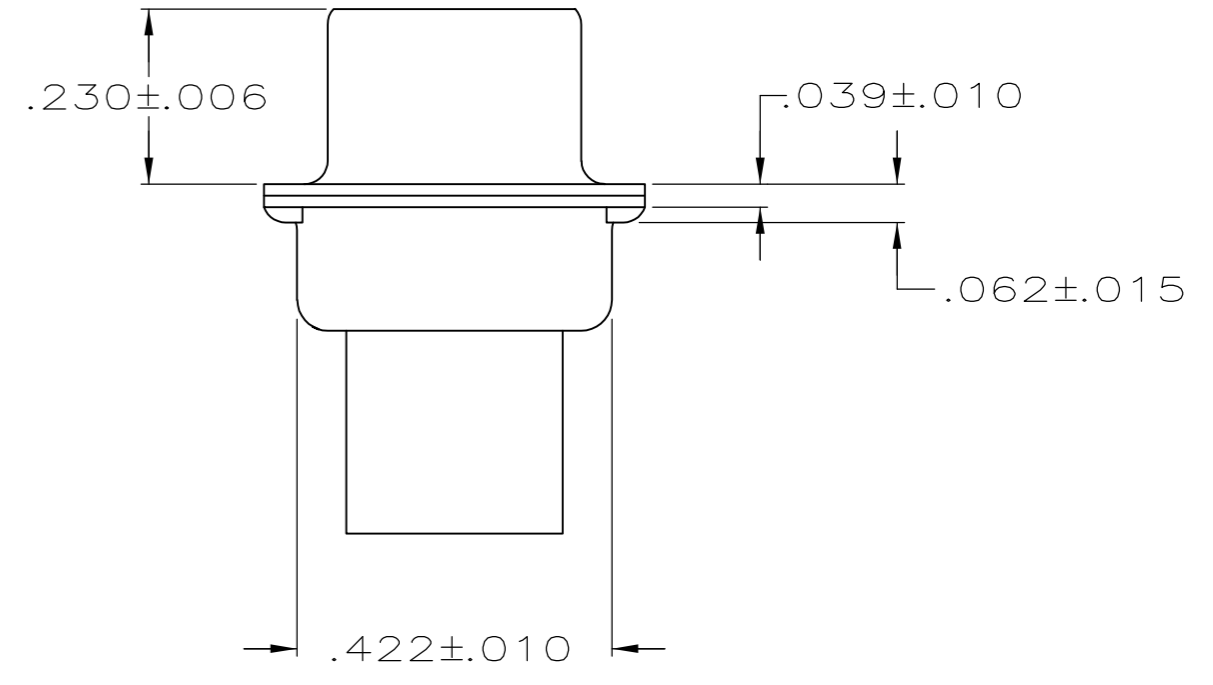
.120 DIA
2 HOLES

GROUNDING INDENTS
SEE TABLE

MATING FACE



"AMP", PART NO. & DATE CODE, MARKED
IN AREA INDICATED, ON FAR SIDE



- CONNECTOR ACCEPTS SIZE 20 DF PIN CONTACTS, RETENTION TINES ARE AN INTEGRAL PART OF INSERT.
- CONNECTOR COMPLIES WITH 108-40005 WHERE APPLICABLE.
- MOLDED PART MATERIAL: GLASS-FILLED PBT OR GLASS-FILLED NYLON, UL94V-0 RATED. COLOR: BLACK
- SHELL MATERIAL: STEEL PER ASTM A109.
- ZINC PLATED PER ASTM B633; TYPE II; CLASS SC1; YELLOW CHROMATE.
- TIN OR TIN-LEAD PLATED OVER COPPER UNDERPLATE.
- TIN PLATED OVER COPPER UNDERPLATE.
- ZINC PLATED .000200-.000400 THICK, YELLOW TRIVALENT CHROMIUM CHROMATE COATING.

	STANDARD	8	NO	205210-8
	STANDARD	7	NO	205210-7
OBSOLETE	SMALL PACK	5	NO	205210-6
	STANDARD	7	YES	205210-3
OBSOLETE	STANDARD	6	NO	205210-2
OBSOLETE	STANDARD	5	NO	205210-1
	PACKAGING TYPE	SHELL FINISH	GROUNDING INDENTS	PART NUMBER

THIS DRAWING IS A CONTROLLED DOCUMENT.

DIMENSIONS: INCHES	TOLERANCES UNLESS OTHERWISE SPECIFIED:	DWN S. WELDON 7-19-85	 TE Connectivity
	0 PLC ± -	CHK J. GERACE 7-29-85	
	1 PLC ± -	APVD V. KUMAR 7-31-85	
	2 PLC ± 0.13 [.005]	PRODUCT SPEC	
MATERIAL	FINISH	WEIGHT	NAME PLUG CONNECTOR, SIZE 4, 37 POSITION, AMPLIMITE™ HDP
	SHELLS: SEE TABLE	SCALE 4:1	SIZE A2 CAGE CODE 00779 DRAWING NO C=205210 RESTRICTED TO -
CUSTOMER DRAWING			SHEET 1 of 1 REV L