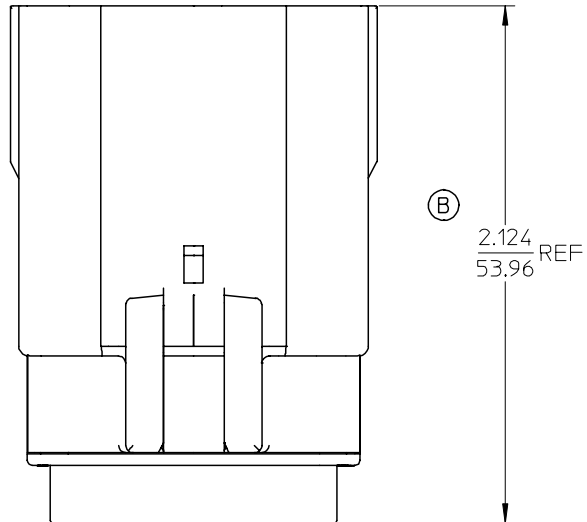


ASSEMBLED VIEW  
SCALE 1:1



- NOTES:
1. ASSEMBLY BULK PACKAGED PER PK-19419-001
  2. MOUNTING SLOT DIMENSIONS.
  3. USE CONNECTOR WITH MALE CRIMP TERMINAL: SERIES 19417.

194190014	10	16-14
194190015	10	22-18
MATERIAL NUMBER	CIRCUIT SIZE	UL WIRE AWG

EC NO: ETC2004-0202 DRWN:DMYRICK 2004/06/03 CHKD:JPAWLIC 2004/06/03 APPR:JPAWLIC 2004/06/03	QUALITY SYMBOLS	GENERAL TOLERANCES (UNLESS SPECIFIED)		SCALE 2:1	DESIGN UNITS INCH	THIRD ANGLE PROJECTION	REVISE ON CAD ONLY	
	DESCRIPTION ▼ = 0 ∇ = 0	4 PLACES	mm	INCH	DIMENSION STYLE IN/MM		TITLE 10 WAY PLUG ASSEMBLY	
		3 PLACES	± ---	± ---	DRAWN BY B.RUPERT	DATE 01/17/03	MATERIAL NO. SEE CHART	
		2 PLACES	± 0.13	± .01	CHECKED BY J.PAWLIC	DATE 01/20/03	DOCUMENT NO. SD-19419-005	SHEET NO. 1 OF 1
	1 PLACE	± 0.25	± ---	APPROVED BY R.DEROSS	DATE 01/20/03	MUST REMAIN WITHIN DIMENSIONS		
		ANGULAR ±1/2°		THIS DRAWING CONTAINS INFORMATION THAT IS PROPRIETARY TO MOLEX INCORPORATED AND SHOULD NOT BE USED WITHOUT WRITTEN PERMISSION				