

REV. Status

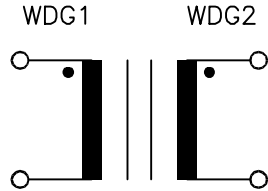
ISSUE 1
02/14/96

A. Electrical Specifications (Ta = +25°C)

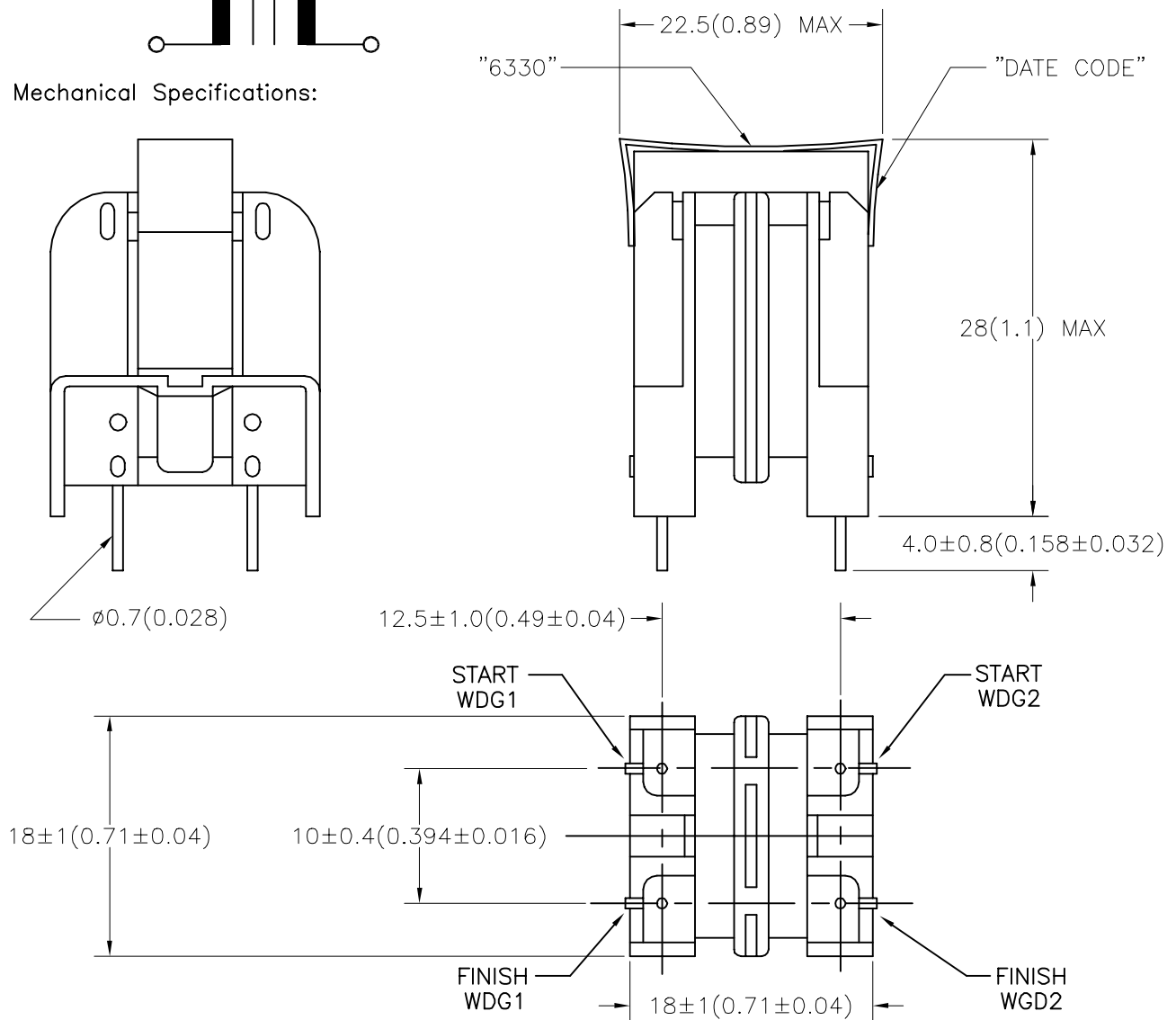
1. Rated Voltage:
250V AC 50/60 Hz
2. Rated Current: 0.5A AC
3. Inductance (@ 1 KHz 1V): 33 mH MIN
4. Insulation Resistance:
DC 500V 100MΩ MIN
Between Winding to Winding
Between Winding to Core
5. Hi-Pot Test:
Winding to Winding AC 2.0 KV
Winding to Core
6. DC Resistance: 1.76Ω MAX

B. Marking; 6330 and date code

C. Schematic Diagram:



D. Mechanical Specifications:



TOLERANCES (mm)

≤ 4	± 0.2
4 ≤ 20	± 0.3
20 ≤ 50	± 0.4

PREPARED BY:

K. Brennan

ENGINEER:

DWG CONTROL NO. P-A4-11532
ACAD\MXFMR\A4115321.DWG

REV

—

COIL
COMMON MODE

QUALITY CONTROL:

CONTENTS OF THIS DRAWING ARE
SUBJECT TO CHANGE WITHOUT
PRIOR NOTICE

TAMURA CORPORATION OF AMERICA
43352 BUSINESS PARK DRIVE, TEMECULA, CA. 92590-6624
(909) 699-1270 FAX 9096769482

CMF-6330

MODEL SPECIFICATION

APPROVED:

V. Casey

PROPRIETARY NOTICE: THIS DRAWING PRINT OR DOCUMENT AND SUBJECT MATTER DISCLOSED HEREIN ARE PROPRIETARY ITEMS TO WHICH TAMURA RETAINS THE EXCLUSIVE RIGHT OF DISSEMINATION, REPRODUCTION, MANUFACTURE AND SALE. THIS DRAWING, PRINT OR DOCUMENT IS SUBMITTED IN CONFIDENCE FOR CONSIDERATION BY THE RECIPIENT ALONE UNLESS PERMISSION FOR FURTHER DISCLOSURE IS EXPRESSLY GRANTED IN WRITING.

DIM: mm(In) SCL: 2/1 SH: 1 OF 1

MODEL NUMBER

CMF-6330