

HC-M-02-PT-F - Contact insert module



1424222

<https://www.phoenixcontact.com/us/products/1424222>

Please be informed that the data shown in this PDF document is generated from our online catalog. Please find the complete data in the user documentation. Our general terms of use for downloads are valid.



Contact insert module, number of positions: 2, power contacts: 2, control contacts: 0, Socket, Push-in connection, 830 V, 40 A, 2.5 mm² ... 6 mm², application: Power

Your advantages

- Easy installation without tools, even when mounted, with push-in connection technology
- Shortest installation time compared to other connection technologies
- Quick and effortless wiring, in particular when space is tight
- Automatic cabling with robots possible
- Safe wiring and operation with color-coded actuators
- Shock and vibration-resistant in accordance with DIN EN 61373

Commercial data

Item number	1424222
Packing unit	1 pc
Minimum order quantity	1 pc
Sales key	BF62
Product key	BF7ACE
GTIN	4055626369532
Weight per piece (including packing)	23.8 g
Weight per piece (excluding packing)	22.22 g
Customs tariff number	85366990
Country of origin	CN

Technical data

Notes

General	for flexible conductors with or without ferrules
General	Connectors may be operated only when there is no load/voltage.
General	For HEAVYCON housing type B6 ... B48 and module carrier frame HC-M-B...MF-...

Mounting

Assembly instructions	To ensure correct use, installation in housing with IP54 protection or better is required
-----------------------	---

Product properties

Product type	Modular contact insert
Number of positions	2
Connection profile	2
Application	Power
Number of module slots	1
No. of power contacts	2
No. of control contacts	0
Contact material type	rolled
Series	HC-M-02

Insulation characteristics

Overvoltage category	III
Degree of pollution	3

Connection data

Connection technology

Connection technology	Push-in connection
Connection in acc. with standard	IEC / EN

Conductor connection

Conductor cross section	2.5 mm ² ... 6 mm ²
Connection cross section AWG	14 ... 10
Stripping length of the individual wire	9.6 mm

Dimensions

Mechanical characteristics

Minimum housing height	72 mm
Contact diameter	4 mm

Electrical properties

Rated voltage (III/2) contacts	1000 V
--------------------------------	--------

HC-M-02-PT-F - Contact insert module



1424222

<https://www.phoenixcontact.com/us/products/1424222>

Rated voltage (III/3)	830 V
Rated surge voltage (III/2)	8 kV
Rated surge voltage (III/3)	8 kV
Rated surge voltage	8 kV
Rated current	40 A

Mechanical properties

Mechanical data

Insertion/withdrawal cycles	≥ 500
-----------------------------	-------

Material specifications

Flammability rating according to UL 94	V0
Contact material	Copper alloy
Contact surface material	Ag
Contact carrier material	PC
Standards/regulations	PC: Fire protection in rail vehicles - requirement sets R22, R23, and R24 acc. to DIN EN 45545-2 (Risk level HL1 - HL3)

Environmental and real-life conditions

Ambient conditions

Ambient temperature (operation)	-40 °C ... 125 °C
---------------------------------	-------------------

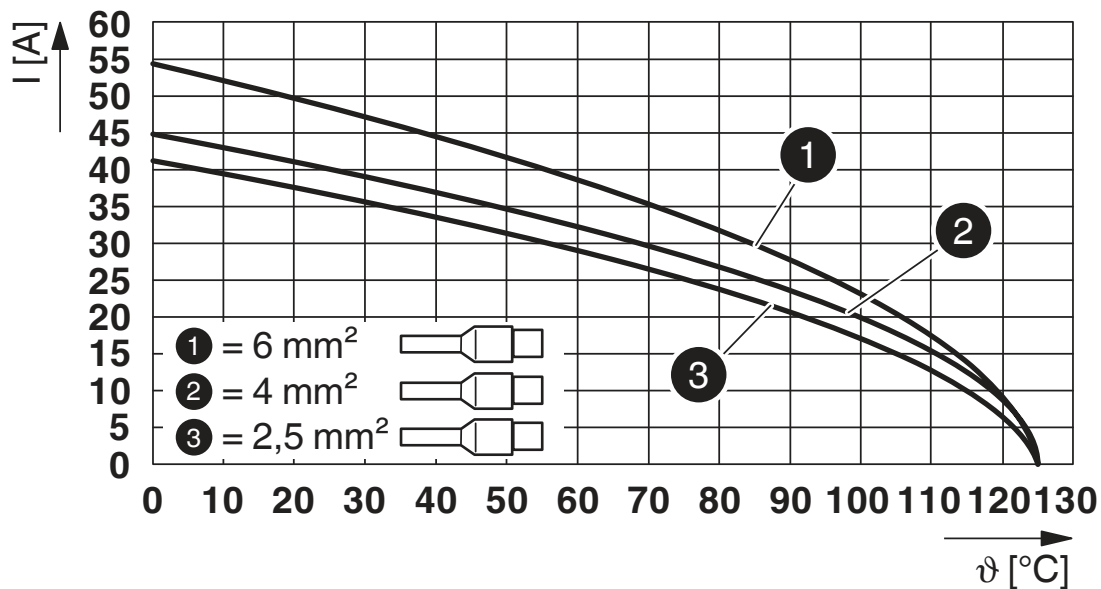
Standards and regulations

Testing

Standards/regulations	PC: Fire protection in rail vehicles - requirement sets R22, R23, and R24 acc. to DIN EN 45545-2 (Risk level HL1 - HL3)
-----------------------	---

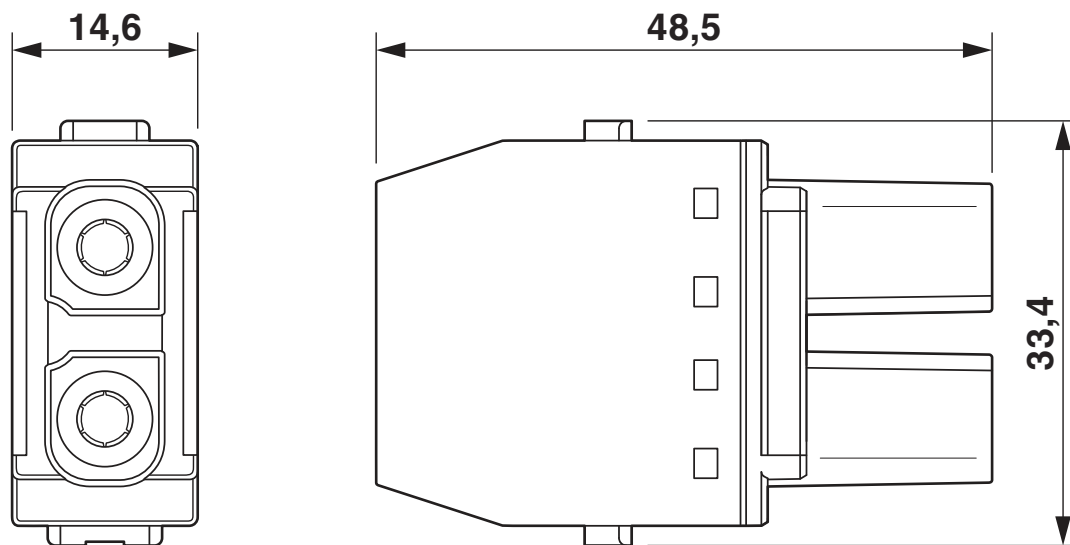
Drawings

Diagram



Derating diagram for flexible conductors with ferrule

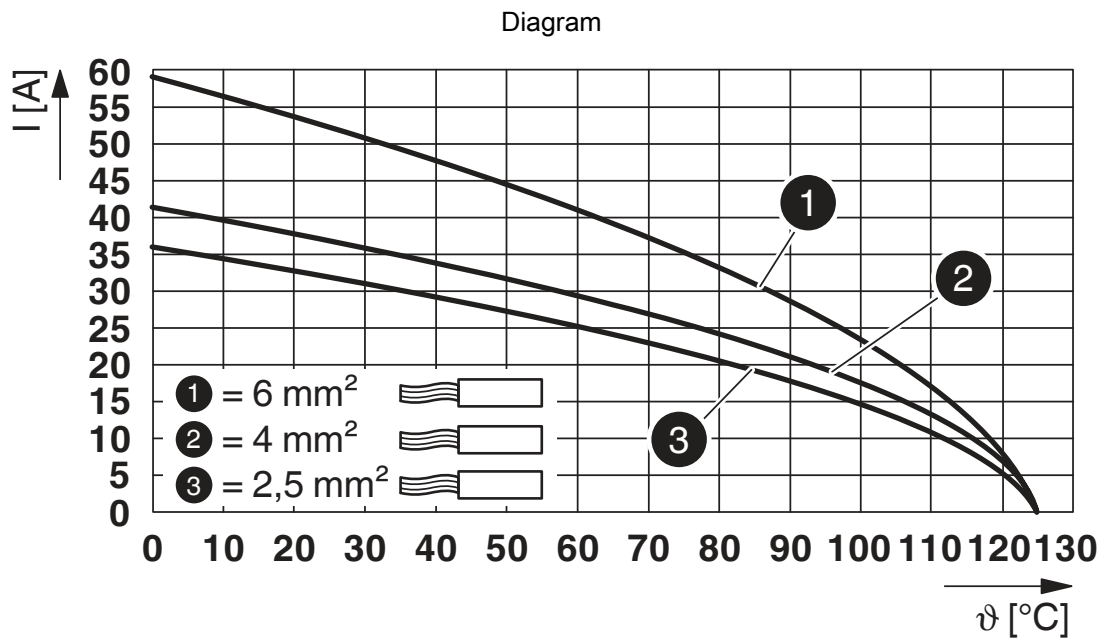
Dimensional drawing



Dimensional drawing

1424222

<https://www.phoenixcontact.com/us/products/1424222>



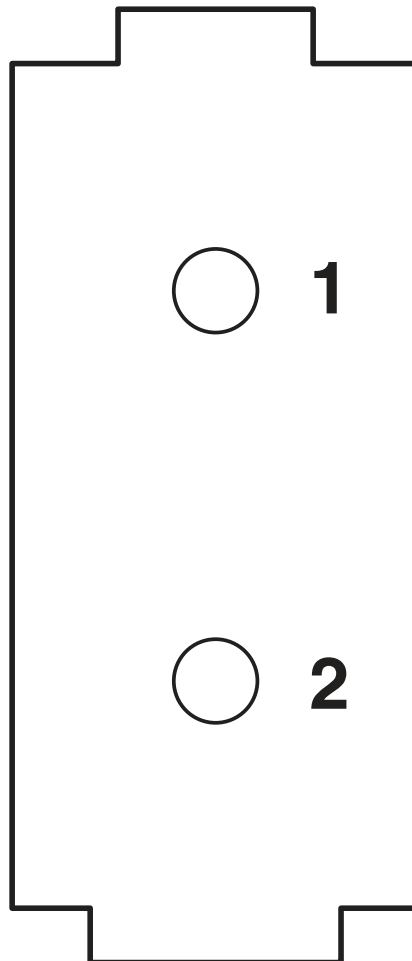
Derating diagram for flexible conductors

HC-M-02-PT-F - Contact insert module

1424222

<https://www.phoenixcontact.com/us/products/1424222>

Schematic diagram



Connector pin assignment, connection side

HC-M-02-PT-F - Contact insert module



1424222

<https://www.phoenixcontact.com/us/products/1424222>

Classifications

ECLASS

ECLASS-11.0	27440217
ECLASS-12.0	27440217
ECLASS-13.0	27440217

ETIM

ETIM 8.0	EC000438
----------	----------

UNSPSC

UNSPSC 21.0	39121400
-------------	----------

HC-M-02-PT-F - Contact insert module



1424222

<https://www.phoenixcontact.com/us/products/1424222>

Environmental product compliance

China RoHS	Environmentally friendly use period: unlimited = EFUP-e
	No hazardous substances above threshold values

HC-M-02-PT-F - Contact insert module



1424222

<https://www.phoenixcontact.com/us/products/1424222>

Accessories

HC-CBU-MOD - Coding element

1636130

<https://www.phoenixcontact.com/us/products/1636130>



Coding socket for coding up to 16 connectors, for HC Modular

HC-CST-MOD - Coding element

1636127

<https://www.phoenixcontact.com/us/products/1636127>



Coding peg for coding up to 16 connectors, for HC Modular

HC-M-02-PT-F - Contact insert module

1424222

<https://www.phoenixcontact.com/us/products/1424222>



HC-M-B06-MFH-B - Module carrier frame

1182085

<https://www.phoenixcontact.com/us/products/1182085>



Module carrier frame, size: B6, type : for the panel mounting side (a, b, c, ...), 4 mm² ... 6 mm², application: Module carrier frame

HC-M-B10-MFH-B - Module carrier frame

1182088

<https://www.phoenixcontact.com/us/products/1182088>



Module carrier frame, size: B10, type : for the panel mounting side (a, b, c, ...), 4 mm² ... 6 mm², application: Module carrier frame

HC-M-02-PT-F - Contact insert module

1424222

<https://www.phoenixcontact.com/us/products/1424222>



HC-M-B16-MFH-B - Module carrier frame

1182090

<https://www.phoenixcontact.com/us/products/1182090>

Module carrier frame, size: B16, type : for the panel mounting side (a, b, c, ...), 4 mm² ... 6 mm², application: Module carrier frame



HC-M-B24-MFH-B - Module carrier frame

1182094

<https://www.phoenixcontact.com/us/products/1182094>

Module carrier frame, size: B24, type : for the panel mounting side (a, b, c, ...), 4 mm² ... 6 mm², application: Module carrier frame



HC-M-02-PT-F - Contact insert module

1424222

<https://www.phoenixcontact.com/us/products/1424222>



HC-M-B06-MFH-H - Module carrier frame

1182087

<https://www.phoenixcontact.com/us/products/1182087>



Module carrier frame, size: B6, type : for the sleeve side (A, B, C, ...), 4 mm² ... 6 mm², application: Module carrier frame

HC-M-B10-MFH-H - Module carrier frame

1182089

<https://www.phoenixcontact.com/us/products/1182089>



Module carrier frame, size: B10, type : for the sleeve side (A, B, C, ...), 4 mm² ... 6 mm², application: Module carrier frame

HC-M-02-PT-F - Contact insert module

1424222

<https://www.phoenixcontact.com/us/products/1424222>



HC-M-B16-MFH-H - Module carrier frame

1182093

<https://www.phoenixcontact.com/us/products/1182093>

Module carrier frame, size: B16, type : for the sleeve side (A, B, C, ...), 4 mm² ...
6 mm², application: Module carrier frame



HC-M-B24-MFH-H - Module carrier frame

1182095

<https://www.phoenixcontact.com/us/products/1182095>

Module carrier frame, size: B24, type : for the sleeve side (A, B, C, ...), 4 mm² ...
6 mm², application: Module carrier frame



HC-M-02-PT-F - Contact insert module



1424222

<https://www.phoenixcontact.com/us/products/1424222>

CRIMPFOX CENTRUS 6S - Crimping pliers

1213144

<https://www.phoenixcontact.com/us/products/1213144>



Crimping pliers, for uninsulated and insulated ferrules, DIN 46228 Part 1 and 4, from 0.14 mm² ... 6 mm², also for TWIN ferrules up to 2 x 4 mm², automatic cross section adjustment, lateral insertion, equipped with fall protection

CRIMPFOX 6 - Crimping pliers

1212034

<https://www.phoenixcontact.com/us/products/1212034>



Crimping pliers, for ferrules without insulating collar according to DIN 46228 Part 1 and ferrules with insulating collar according to DIN 46228 Part 4, 0.25 mm² ... 6.0 mm², lateral entry, trapezoidal crimp

HC-M-02-PT-F - Contact insert module



1424222

<https://www.phoenixcontact.com/us/products/1424222>

CF CRIMPHANDY 0,5 - Electrical crimping tool

1212463

<https://www.phoenixcontact.com/us/products/1212463>



Mobile handheld device, battery-powered, for processing on-tape ferrules 0.5 mm² with functional end, suitable for PVC insulated conductors (H05V-K), incl. battery, charger, CUTFOX 12 cable cutter, waste guide plate 2, service tool for error correction, and one strip of ferrules 0.5 mm², packed in a robust case.

CF CRIMPHANDY 0,75 - Electrical crimping tool

1212464

<https://www.phoenixcontact.com/us/products/1212464>



Mobile handheld device, battery-powered, for processing on-tape ferrules 0.75 mm² with functional end, suitable for PVC insulated conductors (H05V-K), incl. battery, charger, CUTFOX 12 cable cutter, waste guide plate 2, service tool for error correction, and one strip of ferrules 0.75 mm², packed in a robust case.

HC-M-02-PT-F - Contact insert module



1424222

<https://www.phoenixcontact.com/us/products/1424222>

CF CRIMPHANDY 1,0 - Electrical crimping tool

1212465

<https://www.phoenixcontact.com/us/products/1212465>



Mobile handheld device, battery-powered, for processing on-tape ferrules 1.0 mm² with functional end, suitable for PVC insulated conductors (H05V-K), incl. battery, charger, CUTFOX 12 cable cutter, waste guide plate 2, service tool for error correction, and one strip of ferrules 1.0 mm², packed in a robust case.

CF CRIMPHANDY 1,5 - Electrical crimping tool

1212466

<https://www.phoenixcontact.com/us/products/1212466>



Mobile handheld device, battery-powered, for processing on-tape ferrules 1.5 mm² with functional end, suitable for PVC insulated conductors (H07V-K), incl. battery, charger, CUTFOX 12 cable cutter, waste guide plate 2, service tool for error correction, and one strip of ferrules 1.5 mm², packed in a robust case.

HC-M-02-PT-F - Contact insert module

1424222

<https://www.phoenixcontact.com/us/products/1424222>



HC-M-02-PT-M - Contact insert module

1424223

<https://www.phoenixcontact.com/us/products/1424223>



Contact insert module, number of positions: 2, power contacts: 2, control contacts: 0, Pin, Push-in connection, 830 V, 40 A, 2.5 mm² ... 6 mm², application: Power

Phoenix Contact 2023 © - all rights reserved

<https://www.phoenixcontact.com>

Phoenix Contact USA
586 Fulling Mill Road
Middletown, PA 17057, United States
(+717) 944-1300
info@phoenixcon.com