

NBC-PP-P1PGY:10 - Dust protection cover



1041860

<https://www.phoenixcontact.com/pc/products/1041860>

Please be informed that the data shown in this PDF document is generated from our online catalog. Please find the complete data in the user documentation. Our general terms of use for downloads are valid.

Dust protection cover



Your advantages

- Perfect for industrial applications
- Compact angle
- Perfect for office, building, and protected industrial applications (e.g., in control cabinets)

Commercial data

Item number	1041860
Packing unit	10 pc
Minimum order quantity	10 pc
Product key	ABNLAZ
Catalog page	Page 375 (C-2-2019)
GTIN	4055626597393
Weight per piece (including packing)	0.648 g
Weight per piece (excluding packing)	0.648 g
Customs tariff number	85389099
Country of origin	CH

NBC-PP-P1PGY:10 - Dust protection cover



1041860

<https://www.phoenixcontact.com/pc/products/1041860>

Technical data

Notes

General	For integration into DIN rail adapter NBC-PP-G1PGY
---------	--

Product properties

Product type	Female insert
Number of slots	1

Material specifications

Material	PP
Contact material	Copper alloy
Contact carrier material	LCP

Environmental and real-life conditions

Ambient conditions

Degree of protection	IP20
----------------------	------

Mounting

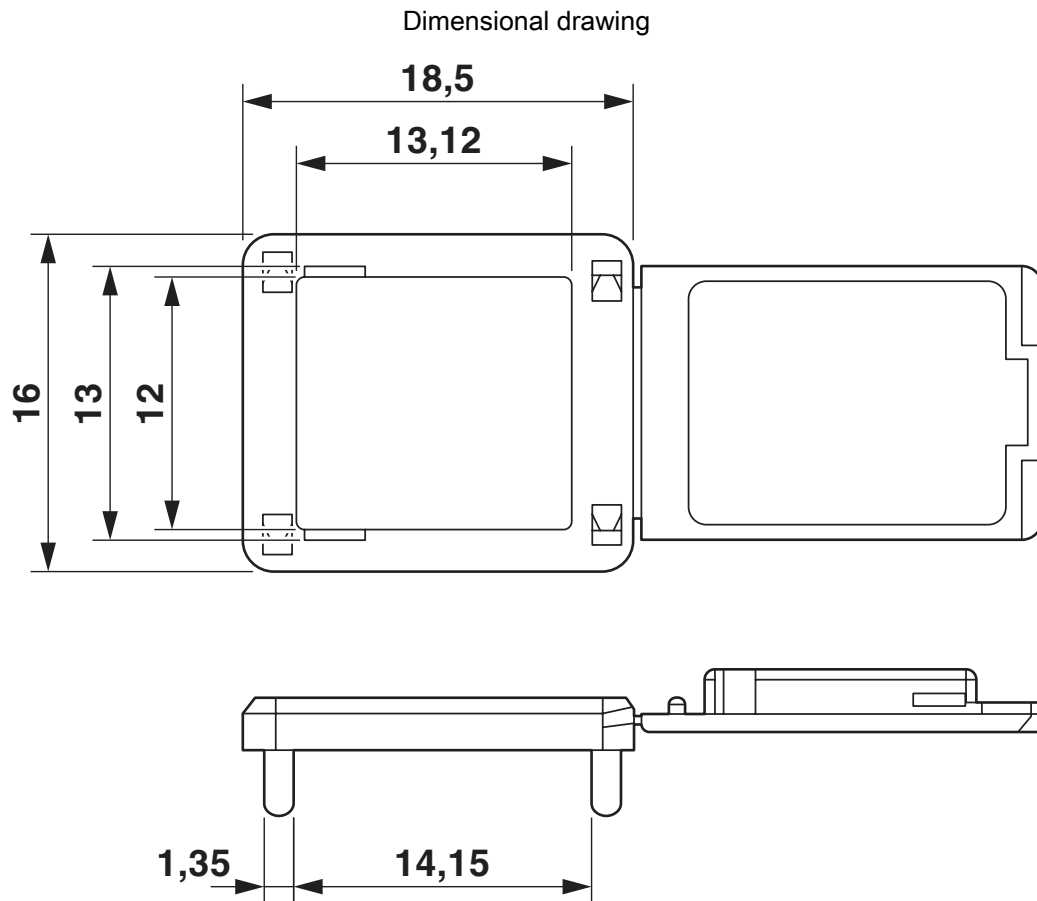
Mounting type	PCB mounting
---------------	--------------

NBC-PP-P1PGY:10 - Dust protection cover

1041860

<https://www.phoenixcontact.com/pc/products/1041860>

Drawings



NBC-PP-P1PGY:10 - Dust protection cover



1041860

<https://www.phoenixcontact.com/pc/products/1041860>

Classifications

ECLASS

ECLASS-11.0	27440208
ECLASS-12.0	27440208
ECLASS-13.0	27440208

ETIM

ETIM 8.0	EC002314
----------	----------

UNSPSC

UNSPSC 21.0	26121600
-------------	----------

NBC-PP-P1PGY:10 - Dust protection cover



1041860

<https://www.phoenixcontact.com/pc/products/1041860>

Environmental product compliance

China RoHS	Environmentally friendly use period: unlimited = EFUP-e
	No hazardous substances above threshold values

NBC-PP-P1PGY:10 - Dust protection cover

1041860

<https://www.phoenixcontact.com/pc/products/1041860>

Mandatory accessories

NBC-PP-G1PGY - DIN rail adapter

1041740

<https://www.phoenixcontact.com/pc/products/1041740>



DIN rail adapter, design: Headers with shielding, degree of protection: IP20, material: PC-GF10, connection method: Quick connection, without assembled modules

Accessories

NBC-PP-G1PGY - DIN rail adapter

1041740

<https://www.phoenixcontact.com/pc/products/1041740>



DIN rail adapter, design: Headers with shielding, degree of protection: IP20, material: PC-GF10, connection method: Quick connection, without assembled modules