

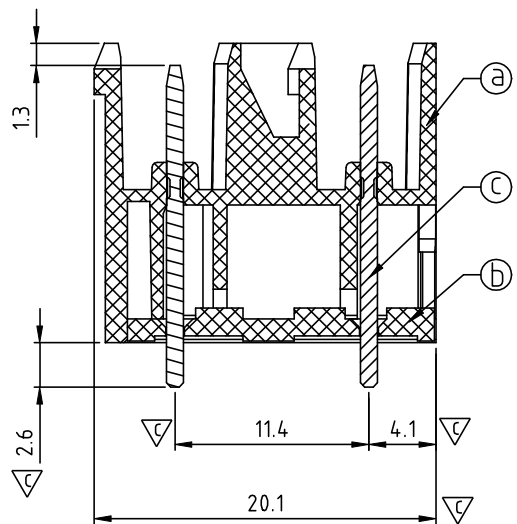
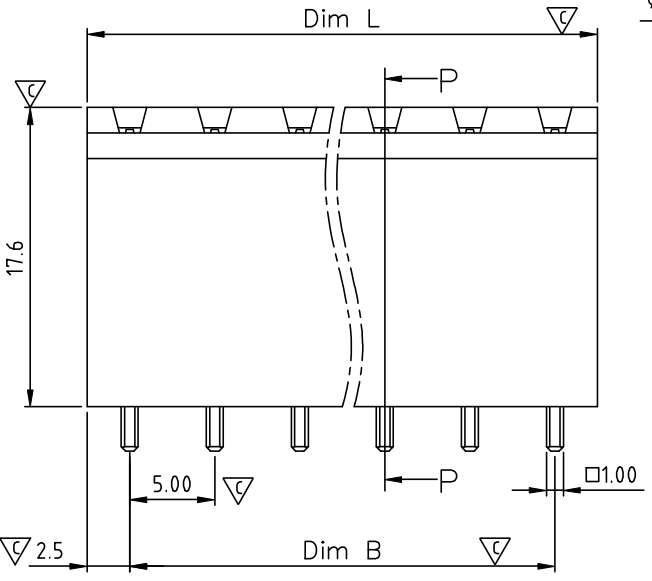
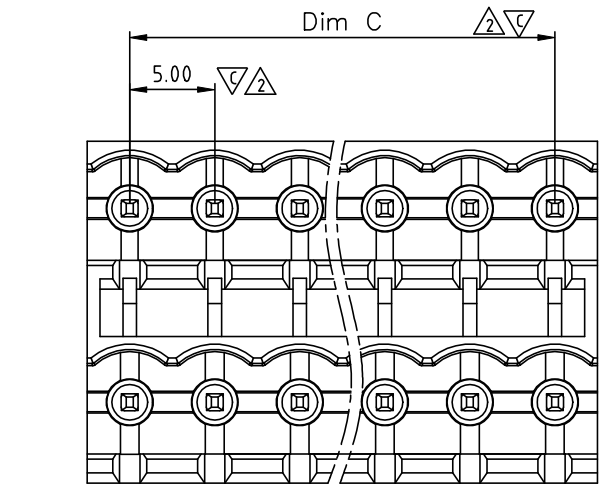
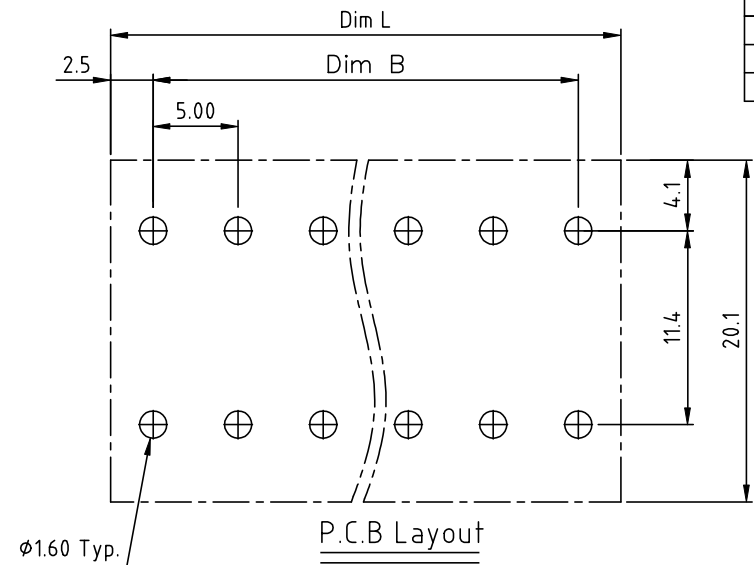
SIGN	DATE	DESCRIPTION	APPROVER
△	03/29'12	Add is cULus	Chen Bo
△	03/29'12	The dimension Dim C & 5.00 are added	Chen Bo

THIS IS CAD DRAWING, DO NOT REVISE MANUALLY!!!

- Material:
- Item a Terminal(housing): Thermoplastic (UL94V-0)
 - Item b Terminal(cover): Thermoplastic (UL94V-0)
 - Item c Male contact pin : Copper Tin plated

- Electrical: cULus
- Voltage rating: 300V
 - Current rating: 12A
 - Withstanding Voltage: 1.6KV
 - Operating temperature: -40°C to +115°C
 - Soldering temperature: 250°C±10°C/5 Sec

- △ Safety Approval: cULus
- Critical dimension: ▽



KE xx 7 4 x 2 xxxx G

- No. OF POLES
- 04: 2x2 POLES
 - 06: 2x3 POLES
 - ...
 - 48: 2x24 POLES

- COLOR
- 0 Black (RAL9005)
 - 2 Red (RAL3001/D)
 - 3 Orange(RAL2011/P)
 - 4 Yellow(RAL1018/A)
 - 5 Green(RAL6018/T)
 - 6 Blue (RAL5015/A)
 - 8 Grey(RAL7035/D)
 - 9 White(RAL1102)
 - C Green(RAL6018/U)

RoHS compliant (lead<4%)
In copper Alloy

0000: "@" Logo (Standard)
000A: "ANYTEK" Mark

Any special item by customer request.
please contact sales department.

Poles	Dim L	Dim B	Dim C
2x2P-2x6P	±0.15	±0.15	±0.15
2x7P-2x12P	±0.25	±0.25	±0.25
2x13P-2x18P	±0.35	±0.35	±0.35
2x19P-2x24P	±0.40	±0.40	±0.40

N = Number of poles
 Dim L=Nx5.0
 Dim B=(N-1)x5.0
 Dim C=(N-1)x5.0

ANYTEK				CUSTOMER COPY			
ALL RIGHTS RESERVED. REPRODUCTION OR ISSUE TO THRD PARTIES IN ANY FORM WHATSOEVER IS NOT PERMITTED WITHOUT WRITTEN AUTHORITY FROM THE PROPRIETOR. PROPERTY OF ANYTEK TECHNOLOGY CO., LTD							
TITLE		KE 5.0mm Open Series 2x2P-2x24P (Vertical) DIP type					
PART NO.		KExx74x2xxxxG			DWG NO.		8KE0108
APPROVED		CHECKED	DESIGNED	DRAWN	CUST NO.		Tolerance
			Chen Bo	Chen Bo			X. ±0.50
			04/14'12	04/14'12			X.X ±0.30
							X.XX ±0.10
							X° ±1°
						UNIT: mm	
						SCALE: NONE	
				SHEET: 01/01		REV.: C	