



APPROVAL SHEET

Customer Name : _____

Model Name : HEATSINK

Model Name : DHS-B9292-05

Customer Part No : _____

Spec Issue Date : 2012 / 05 / 23

Spec Revision : 00

PLEASE SEND ONE COPY OF THIS SPECIFICATION BACK AFTER YOU
SIGNED APPROVAL FOR PRODUCTION PRE-ARRANGMENT.

Approved By: _____

Date: _____

Approval	Check	Designer
<i>Alex-Hsia</i>	<i>Charles Chen</i>	HIKARU.CHEN



Delta Electronics Corp.

REV.	Description	Drawn	Checked	Approved	Issue Date
00	ISSUE SPEC	HIKARU.CHEN 05/23'12	<i>Charles. Chen</i> 05/23'12	<i>Alex-Hsia</i> 05/24'12	
Description: SAMPLE REVISION CODE LIST					
Part No.					REV
DELTA MODEL : DHS-B9292-05		TOTAL 11 PAGE			00



Delta Electronics Corp.

CONTENTS

Item	Element Description	Page	Note
1	Specification	4	
2	Print	5	
3	Packing Plan	9	



1. SPECIFICATION

Characters

Item	Description
Scope	THIS SPECIFICATION DEFINES THE ELECTRICAL AND MECHANICAL CHARACTERISTICS OF THE FAN HEATSINK
Application	INTEL LGA2011 CPU HEATSINK
Specification	
a: Thermal Resistance	0.175 (°C/W) (REF.)
b: total weight	460 g (REF.)
c: clip force	29.5 Kgf (REF.)

BOM

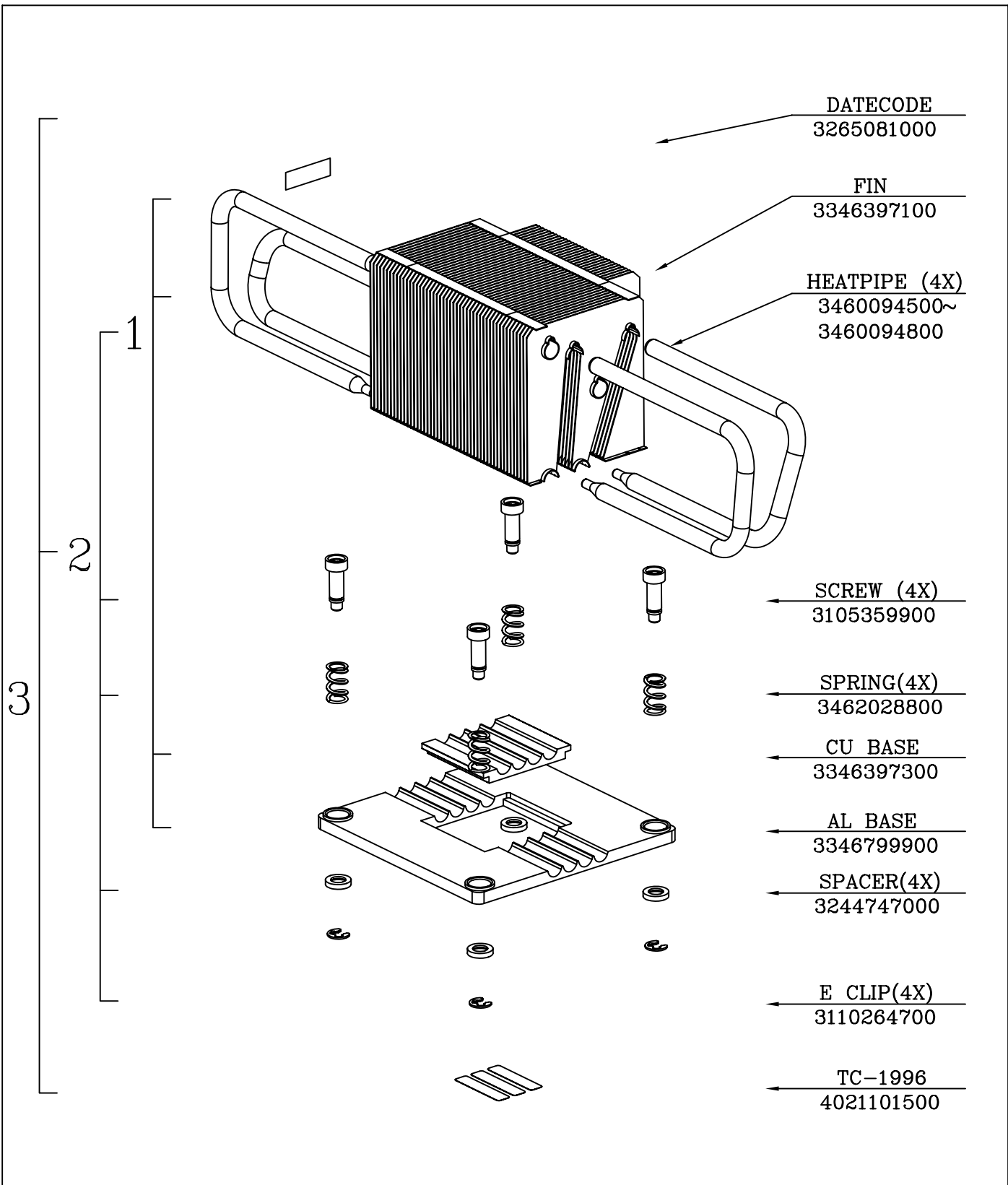
Item	Part Name	Material	Part NO.	Q'TY	Remark
1	FIN	AL 1050	3346397100	1PCE	
2	CU BASE	CU 1100	3346397300	1PCE	
3	AL BASE	ADC-12	3346799900	1PCE	
4	PIPE	CU 1100	3460094500	1PCE	
5	PIPE	CU 1100	3460094600	1PCE	
6	PIPE	CU 1100	3460094700	1PCE	
7	PIPE	CU 1100	3460094800	1PCE	
9	SCREW	SUS 304	3105359900	4PCE	
10	SPRING	ASTM A228	3462028800	4PCE	
11	E CLIP	SK7	3110264700	4PCE	
12	SPACER	POM	3244747000	4PCE	
13	GREASE	TC-1996	4021101500	0.308 g	
14	TRAY	PET	3503595000	0.125PCE	
15	TRAY	PET	3503595100	0.125PCE	
16	PAD PAPER	PAPER	3510131600	0.167PCE	
17	CARTON	PAPER	3510979900	0.042PCE	




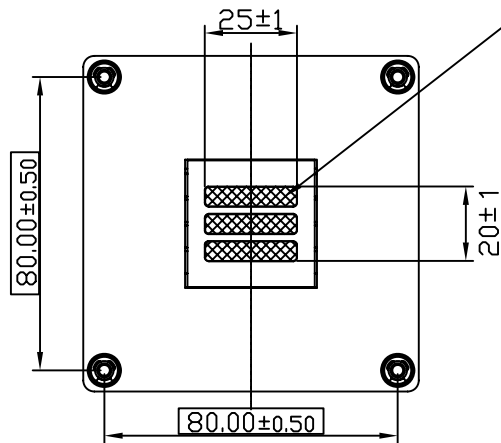
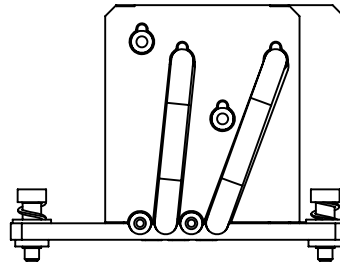
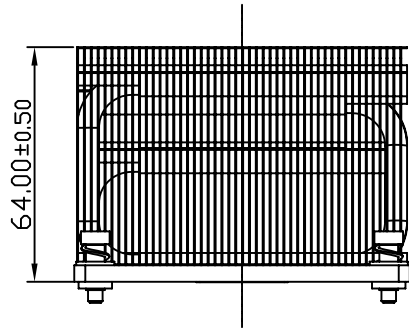
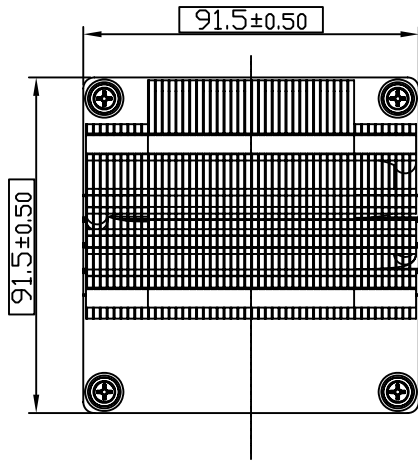
Delta Electronics Corp.

2. PRINT

Assembly Drawing



 台達電子工業股份有限公司 DELTA ELECTRONICS, INC.	DELTA MODEL: DHS-B9292-05	Drawn: HIKARU.CHEN																																								
	CUSTOMER NAME: STD																																									
CUSTOMER P/N: ---																																										
THESE DRAWINGS AND SPECIFICATIONS ARE THE PROPERTY OF DELTA ELECTRONICS, INC. AND SHALL NOT BE REPRODUCED OR USED AS THE BASIS FOR THE MANUFACTURE OR SELL OF APPARATUSES OR DEVICES WITHOUT PERMISSION.	Description: PRODUCTION SPEC. (ASSEMBLY ORDER)																																									
	DIMENSIONAL TOLERANCES <small>HOLES : ±0.05 ANGLES : ±0.5°</small> <table border="1"> <tr> <td>()</td> <td>()</td> <td>()</td> <td>()</td> </tr> <tr> <td><30</td> <td>±0.25</td> <td>DECIMALS</td> <td>UP-100 ±0.2</td> </tr> <tr> <td>>30-100</td> <td>±0.35</td> <td>X ±0.3</td> <td>100-150 ±0.25</td> </tr> <tr> <td>>100-300</td> <td>±0.5</td> <td>X.X ±0.2</td> <td>150-200 ±0.3</td> </tr> <tr> <td>ABOVE 300</td> <td>±0.6</td> <td>X.XX ±0.1</td> <td>200-250 ±0.35</td> </tr> <tr> <td></td> <td></td> <td></td> <td>250-300 ±0.4</td> </tr> <tr> <td></td> <td></td> <td></td> <td>300-350 ±0.45</td> </tr> <tr> <td></td> <td></td> <td></td> <td>350-400 ±0.5</td> </tr> <tr> <td></td> <td></td> <td></td> <td>600-900 ±2.4</td> </tr> <tr> <td></td> <td></td> <td></td> <td>900-OVER ±3.1</td> </tr> </table>	()	()	()	()	<30	±0.25	DECIMALS	UP-100 ±0.2	>30-100	±0.35	X ±0.3	100-150 ±0.25	>100-300	±0.5	X.X ±0.2	150-200 ±0.3	ABOVE 300	±0.6	X.XX ±0.1	200-250 ±0.35				250-300 ±0.4				300-350 ±0.45				350-400 ±0.5				600-900 ±2.4				900-OVER ±3.1	Part No. DHS-B9292-05-AS SHEET 1 OF 1
()	()	()	()																																							
<30	±0.25	DECIMALS	UP-100 ±0.2																																							
>30-100	±0.35	X ±0.3	100-150 ±0.25																																							
>100-300	±0.5	X.X ±0.2	150-200 ±0.3																																							
ABOVE 300	±0.6	X.XX ±0.1	200-250 ±0.35																																							
			250-300 ±0.4																																							
			300-350 ±0.45																																							
			350-400 ±0.5																																							
			600-900 ±2.4																																							
			900-OVER ±3.1																																							
SCALE 1:1	UNIT mm	USED ON COOLER																																								



Dow Corning TC-1996 P/N : 4021101500

*STENCIL THICKNESS=0.20(TYP.) 0.22(MAX.)
TIM WEIGHT ON HSK MUST BE 250mg±30mg



台達電子工業股份有限公司
DELTA ELECTRONICS, INC.

DELTA MODEL:
DHS-B9292-05

Drawn:
HIKARU.CHEN

THESE DRAWINGS AND SPECIFICATIONS ARE THE PROPERTY OF DELTA ELECTRONICS, INC. AND SHALL NOT BE REPRODUCED OR USED AS THE BASIS FOR THE MANUFACTURE OR SELL OF APPARATUSES OR DEVICES WITHOUT PERMISSION.

CUSTOMER NAME: STD

CUSTOMER P/N: - - - - -

DIMENSIONAL TOLERANCES		HOLES : ±0.05 ANGLES : ±0.5°						
()	()	()	()	()	()			
<30	±0.25	DECIMALS	UP-100	±0.2	250-300	±0.4	UP-600	±1.5
>30-100	±0.35	X	100-150	±0.25	300-350	±0.45	600-900	±2.4
>100-300	±0.5	X.X	150-200	±0.3	350-400	±0.5	900-OVER	±3.1
ABOVE 300	±0.6	X.XX	200-250	±0.35				



Description: PRODUCTION SPEC.
(PHYSICAL DIMENSION)

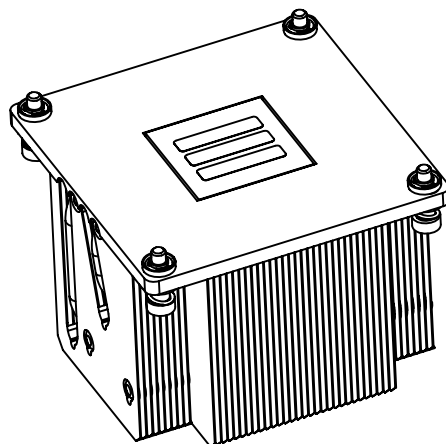
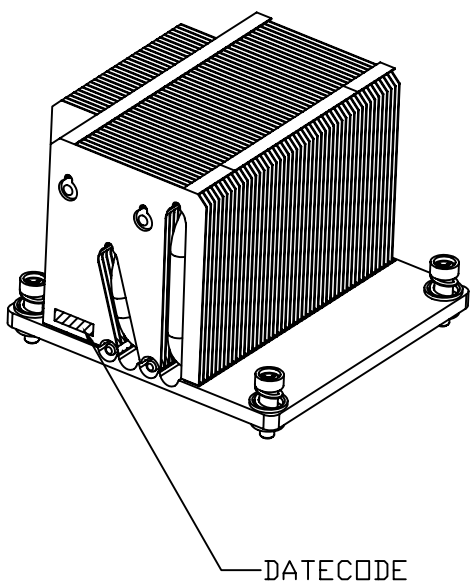
A4
SIZE

Part No. DHS-B9292-05-PD

REV.
00

SHEET 1 OF 1 ISSUE DATE:

SCALE 1 / 1 UNIT mm USED ON COOLER



NOTE :

1. DATECODE ON FIN.
2. DATECODE TYPE : LABEL.
3. BLANK DATECODE LABEL P/N : 3265081000.
4. PLEASE REFER TO CP10S-00345 WHILE PRINTING DATECODE.



台達電子工業股份有限公司
DELTA ELECTRONICS, INC.

DELTA MODEL: DHS-B9292-05		Drawn: HIKARU.CHEN	
CUSTOMER NAME:		STD	
CUSTOMER P/N:		-----	
Description:		PRODUCTION SPEC. (PHYSICAL DIMENSION)	
Part No.		DHS-B9292-05-PD	
SHEET 1 OF 1		ISSUE DATE:	
REV.		00	

DIMENSIONAL TOLERANCES		HOLES : ±0.05 ANGLES : ±0.5°							
()	()	()	()	()	()				
<30	±0.25	DECIMALS	UP-100	±0.2	250-300	±0.4	UP-600	±1.5	
>30-100	±0.35	X	±0.3	100-150	±0.25	300-350	±0.45	600-900	±2.4
>100-300	±0.5	X.X	±0.2	150-200	±0.3	350-400	±0.5	900-OVER	±3.1
ABOVE 300	±0.6	X.XX	±0.1	200-250	±0.35				

THIRD ANGLE PROJECTION

A4
SIZE

SCALE	1 / 1	UNIT	mm	USED ON	COOLER
-------	-------	------	----	---------	--------



Delta Electronics Corp.

3. PACKING PLAN

Packing Specification

PART NO.	DHS-B9292-05																		
BASIC DATA	QUANTITY/CARTON	24 PCS																	
	PRODUCTION NET WEIGHT	11.1 Kg (REF)																	
	PRODUCTION GROSS WEIGHT	13.2 Kg (REF)																	
20(ft)CONTAINER ILLUSTRATE	SIZE	5.889(L)*2.352(w)*2.386(H)m			PACKING QUANTITY	20 PALLETS/CONTAINER													
	CONTAINER	STEEL																	
CONTAINER FORM																			
CONTAINER LOADING METHOD																			
<table border="1"> <tr><td>PALLET</td><td>PALLET</td><td>PALLET</td><td>PALLET</td><td>PALLET</td></tr> <tr><td>PALLET</td><td>PALLET</td><td>PALLET</td><td>PALLET</td><td>PALLET</td></tr> </table> <p>TOP VIEW</p>					PALLET	PALLET	PALLET	PALLET	PALLET	PALLET	PALLET	PALLET	PALLET	PALLET	<table border="1"> <tr><td>PALLET</td><td>PALLET</td></tr> <tr><td>PALLET</td><td>PALLET</td></tr> </table> <p>FRONT VIEW</p>	PALLET	PALLET	PALLET	PALLET
PALLET	PALLET	PALLET	PALLET	PALLET															
PALLET	PALLET	PALLET	PALLET	PALLET															
PALLET	PALLET																		
PALLET	PALLET																		
PALLET LOADING ILLUSTRATE	SIZE	120(L)*100(w)*13.5(H)cm			PACKING QUANTITY	40 CARTONS/PALLET													
	PALLET	WOOD																	
PALLET ILLUSTRATE PALLET LOADING METHOD																			



台達電子工業股份有限公司
DELTA ELECTRONICS, INC.

DELTA MODEL:
DHS-B9292-05

Drawn:
HIKARU.CHEN

THESE DRAWINGS AND SPECIFICATIONS ARE THE PROPERTY OF DELTA ELECTRONICS, INC. AND SHALL NOT BE REPRODUCED OR USED AS THE BASIS FOR THE MANUFACTURE OR SELL OF APPARATUSES OR DEVICES WITHOUT PERMISSION.

CUSTOMER NAME: STD

CUSTOMER P/N: ---

DIMENSIONAL TOLERANCES		HOLES : ±0.05 ANGLES : ±0.5°							
()	()	()	()	()	()				
<30	±0.25	DECIMALS	UP-100	±0.2	250-300	±0.4	UP-600	±1.5	
>30-100	±0.35	X	±0.3	100-150	±0.25	300-350	±0.45	600-900	±2.4
>100-300	±0.5	X.X	±0.2	150-200	±0.3	350-400	±0.5	900-OVER	±3.1
ABOVE 300	±0.6	X.XX	±0.1	200-250	±0.35				



Description: PRODUCTION SPEC.
(PACKING ASSEMBLY)

A4
SIZE

Part No. DHS-B9292-05-PA

REV.

00

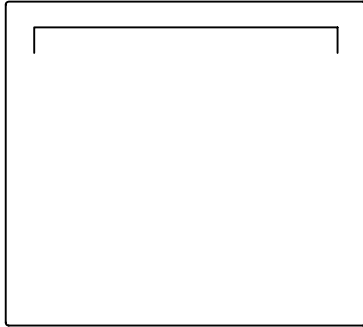
SHEET 1 OF 2 ISSUE DATE:

SCALE 1:1 UNIT mm USED ON COOLER

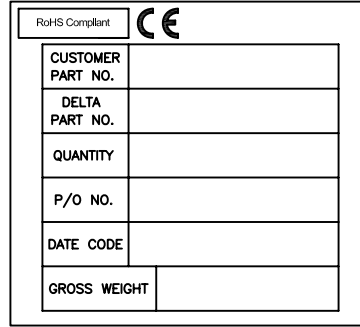
CARTON ILLUSTRATE	SIZE	498(L)*298(w)*144(H)(mm)	PACKING QUANTITY	3 LAYERS/CARTON
	MATERIAL	4 LAYERS"AB" FLUTE	CARTON WEIGHT	0.7 kg (REF.)

CARTON OUTSIDE DEMONSTRATE

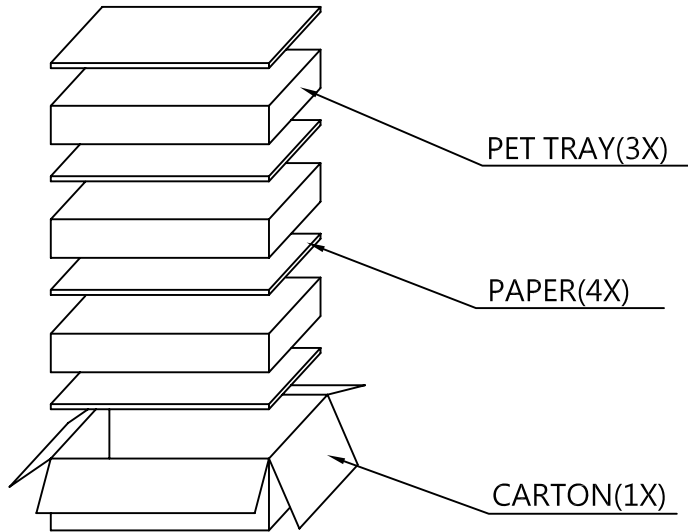
FRONT



BACK



PET TRAY PACKING ILLUSTRATE	SIZE	490(L)*290(w)*50(H)(mm)	PACKING QUANTITY	8 PCS/TRAY
	MATERIAL	PET TRAY	MATERIAL WEIGHT	120g (REF.)



台達電子工業股份有限公司
DELTA ELECTRONICS, INC.

DELTA MODEL:
DHS-B9292-05

Drawn:
HIKARU.CHEN

THESE DRAWINGS AND SPECIFICATIONS ARE THE PROPERTY OF DELTA ELECTRONICS, INC. AND SHALL NOT BE REPRODUCED OR USED AS THE BASIS FOR THE MANUFACTURE OR SELL OF APPARATUSES OR DEVICES WITHOUT PERMISSION.

CUSTOMER NAME: STD

CUSTOMER P/N: ---

DIMENSIONAL TOLERANCES		HOLES : ±0.05 ANGLES : ±0.5°							
()	()	()	()	()	()				
<30	±0.25	DECIMALS	UP-100	±0.2	250-300	±0.4	UP-600	±1.5	
>30-100	±0.35	X	±0.3	100-150	±0.25	300-350	±0.45	600-900	±2.4
>100-300	±0.5	X.X	±0.2	150-200	±0.3	350-400	±0.5	900-OVER	±3.1
ABOVE 300	±0.6	X.XX	±0.1	200-250	±0.35				



Description: PRODUCTION SPEC.
(PACKING ASSEMBLY)

A4

Part No. DHS-B9292-05-PA

REV.

SHEET 2 OF 2 ISSUE DATE:

00

SCALE 1:1 UNIT mm USED ON COOLER