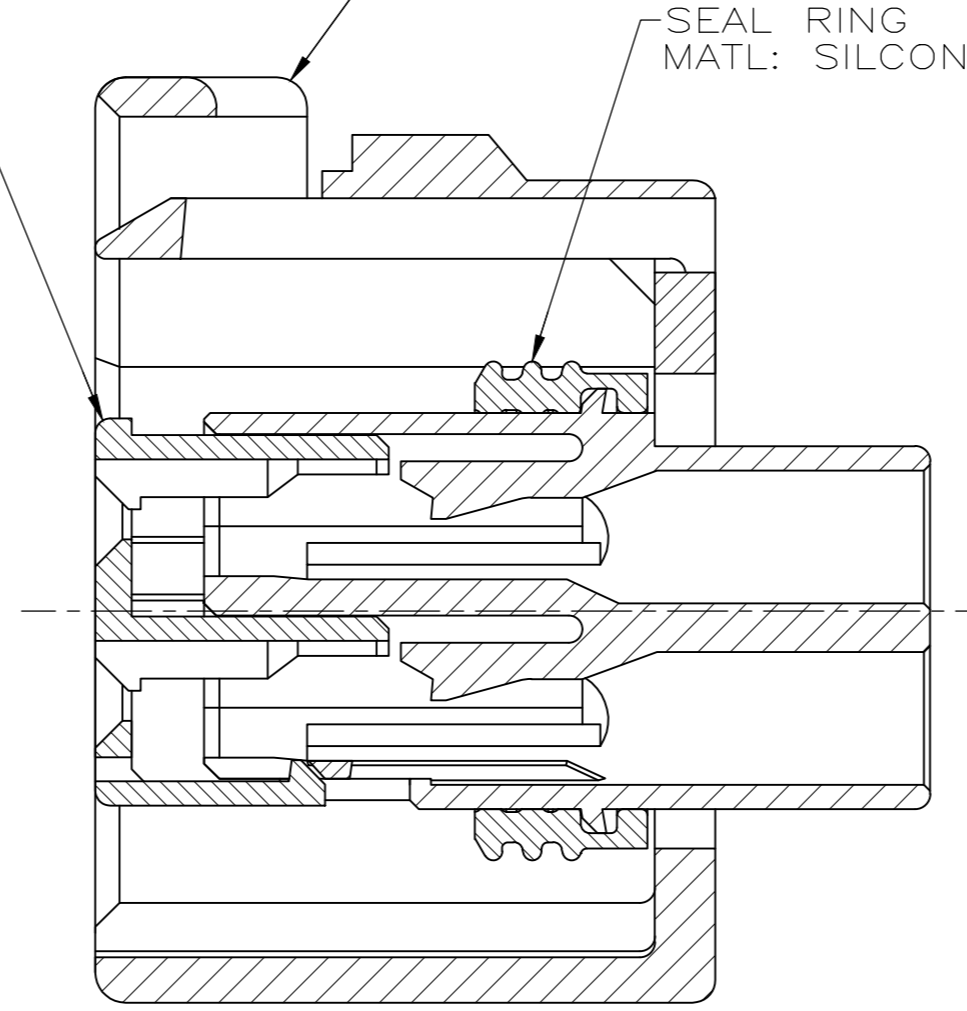
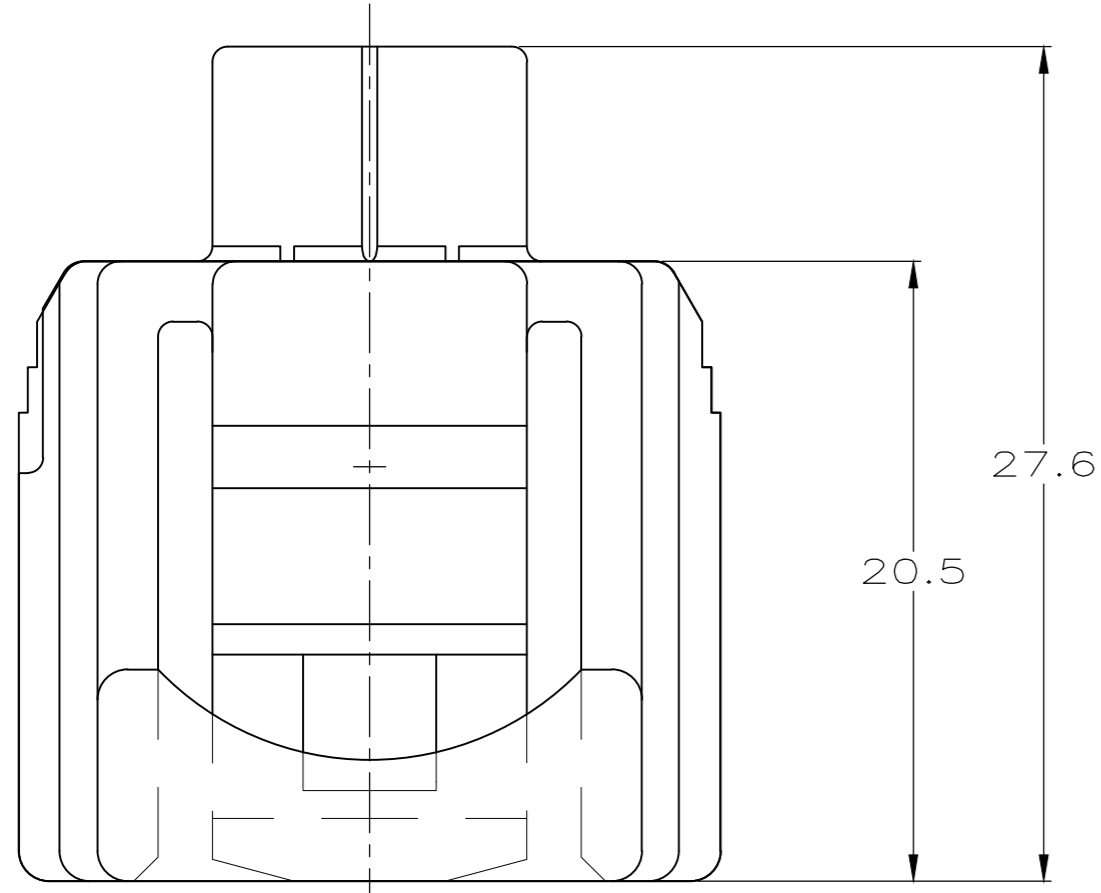


REVISIONS					
P	LTR	DESCRIPTION	DATE	DWN	APVD
C		REVISED PER ECO-09-008507	09APR2009	DD	MB
C1		REVISED PER ECO-20-012742	16SEP20	AP	HDC

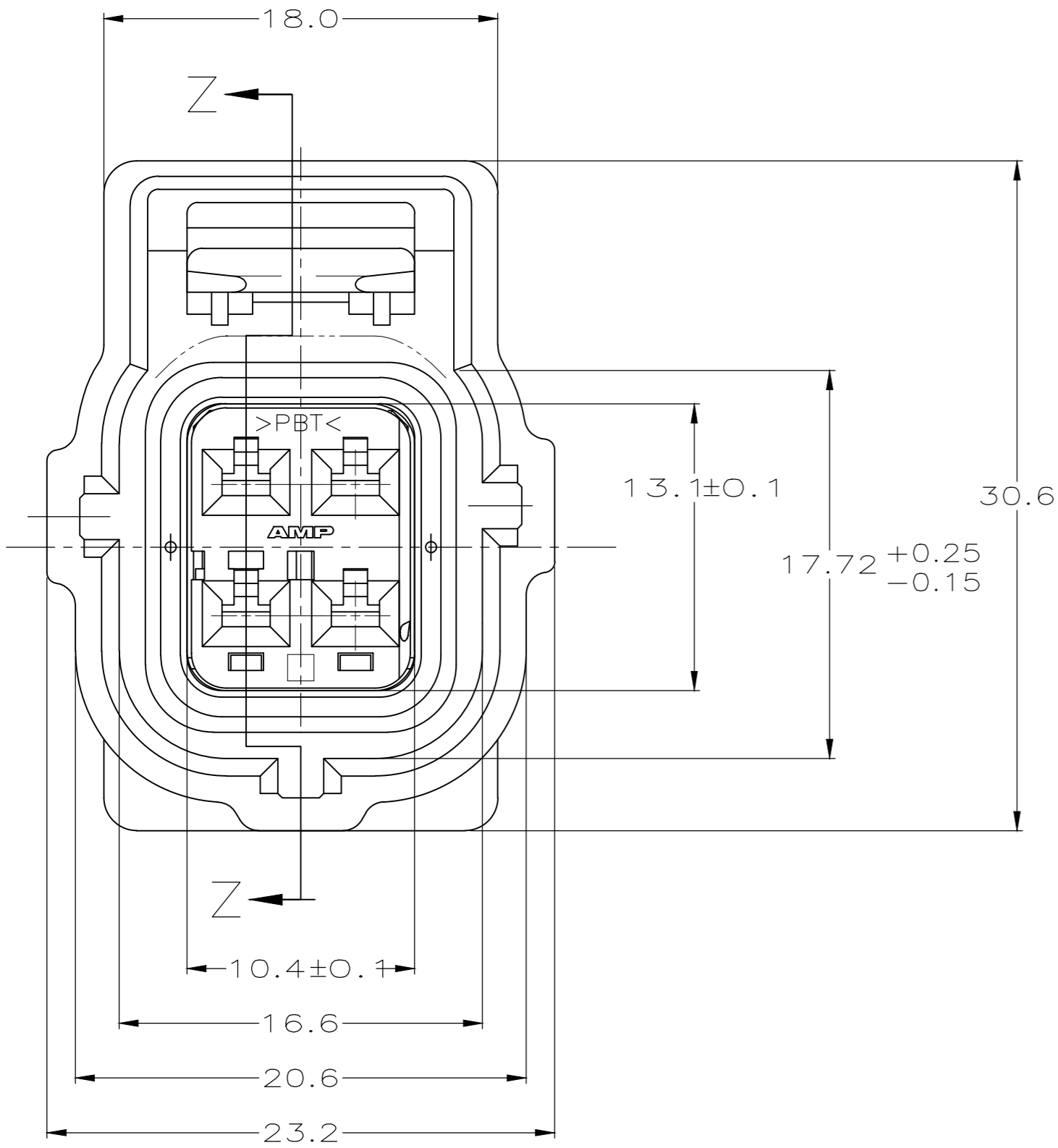
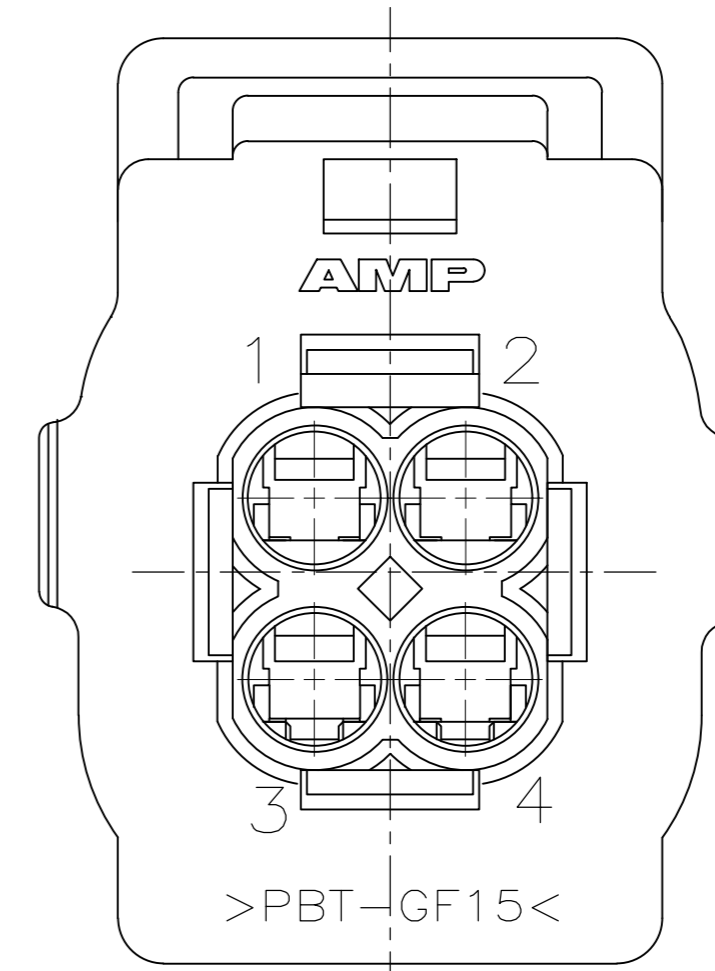
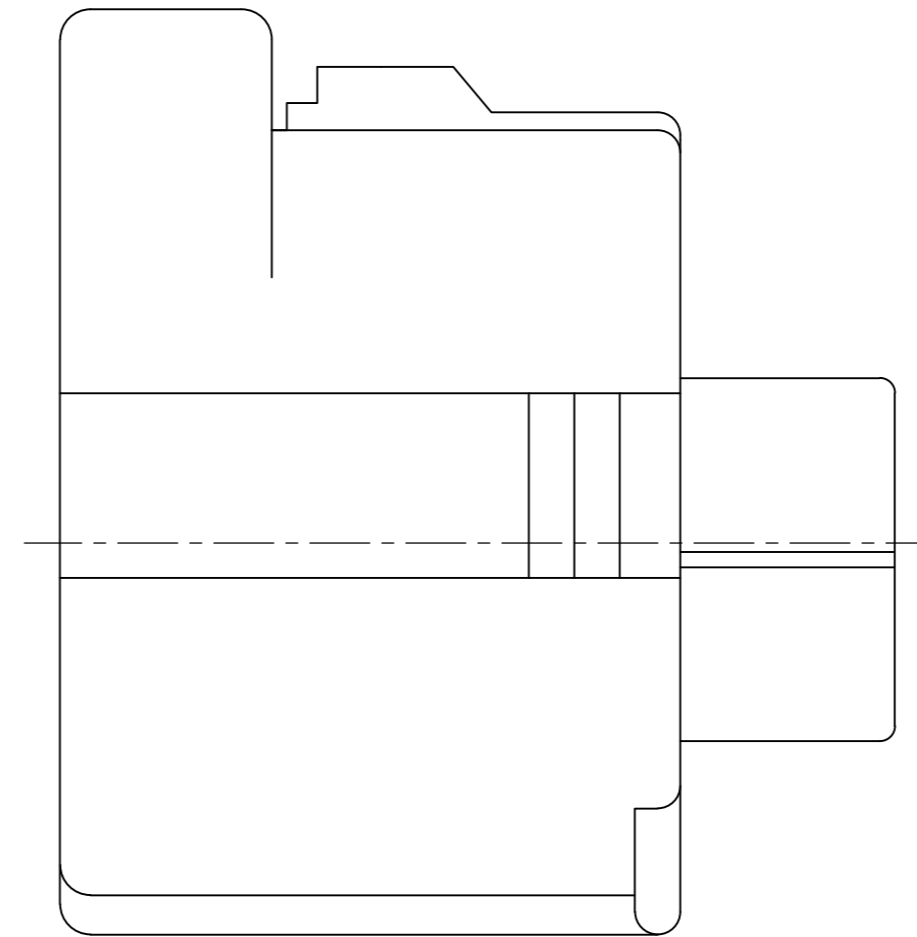
DBL LOCK PLATE  
MATL: PBT, 15%  
GLASS FILLED

PLUG HOUSING  
MAT'L: PBT, 15% GLASS FILLED

SEAL RING  
MATL: SILICONE RUBBER



SECTION Z-Z  
SCALE 4:1



OBSOLETE	GRAY	184392-3
	NATURAL	184392-2
	BLACK	184392-1
	PLUG COLOR	PART NUMBER

THIS DRAWING IS A CONTROLLED DOCUMENT.		DWN	16MAY01	 TE Connectivity	2 X 2 PLUG ASSEMBLY, W/O SLOT, A KEY
		CHK	16MAY01		
		APVD	16MAY01		
		PRODUCT SPEC			
DIMENSIONS: mm		TOLERANCES UNLESS OTHERWISE SPECIFIED: 0 PLC ± - 1 PLC ± 0.3 2 PLC ± 0.15 3 PLC ± - 4 PLC ± - ANGLES ± - FINISH -		NAME SIZE CAGE CODE DRAWING NO RESTRICTED TO	
MATERIAL		WEIGHT	0.000000	A2 00779	C=184392
		CUSTOMER DRAWING	SCALE 4:1	SHEET 1 of 1	REV C1