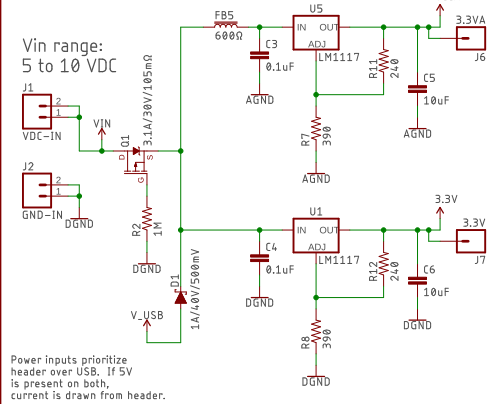
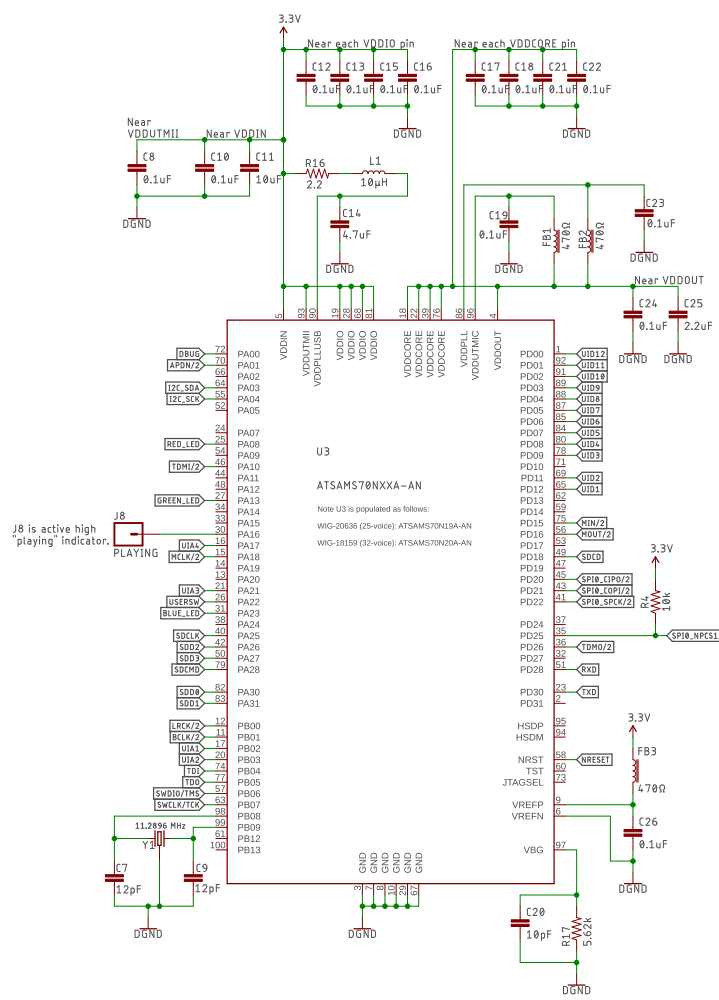


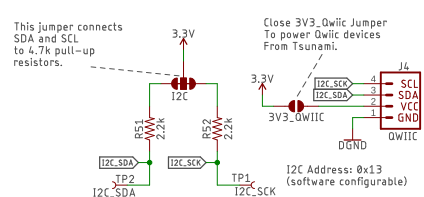
### Power Regulators



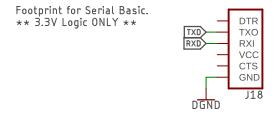
### Cortex M7 Processor



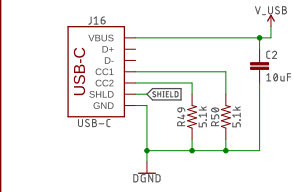
### Qwiic Connector and Pullups



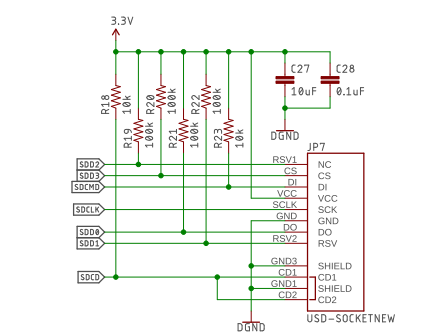
### Host Serial Port Connection



### USB Device Port



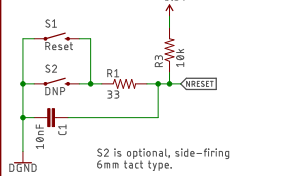
### SDIO uSD Card Slot



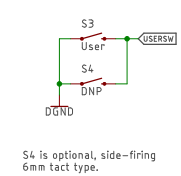
### Scope Trigger



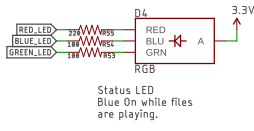
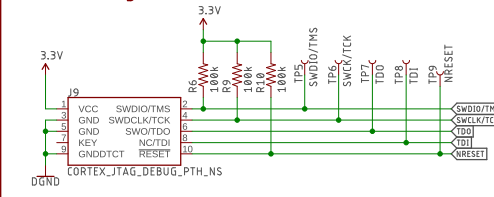
### Reset Switch



### User Switch



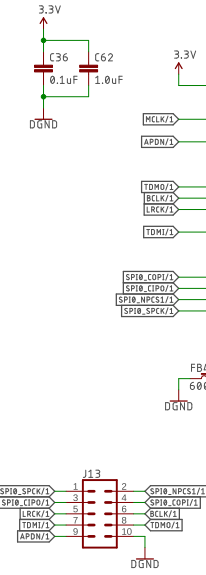
### Cortex Debug Port



Released under the Creative Commons Attribution Share-Alike 4.0 License <a href="https://creativecommons.org/licenses/by-sa/4.0/">https://creativecommons.org/licenses/by-sa/4.0/</a>		
TITLE: SparkFun_Tsunami_Qwiic		
Design by: Jamie Robertson, Byron Jacquot	Revision by: Jamie Robertson, Pete Lewis	REV: V21
Date: 10/31/2022 11:39 AM	Sheet: 1/2	

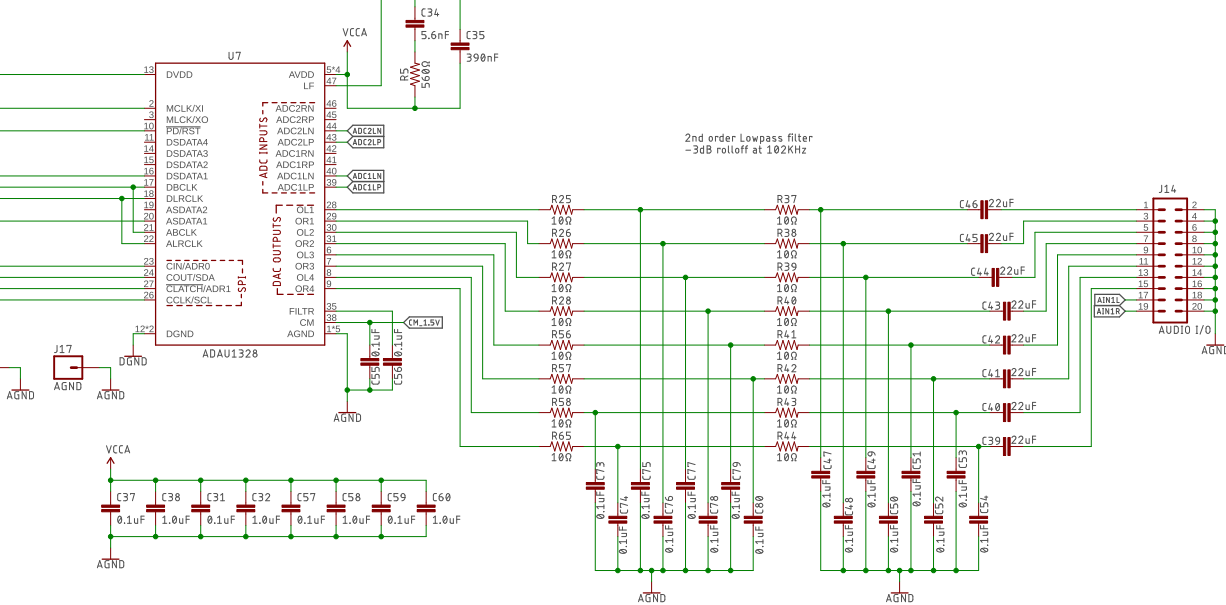
### TDM Bus

Signals from processor



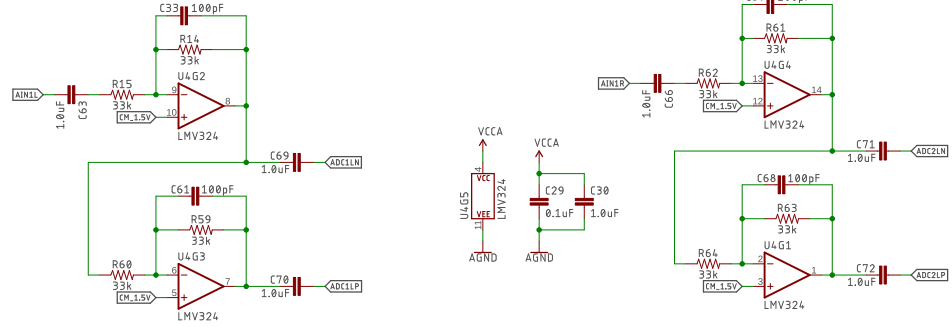
### Audio Codec

Isolated analog ground plane with single connection to digital ground.  
FB4 and FB5 are being used to formalize the plane crossing.

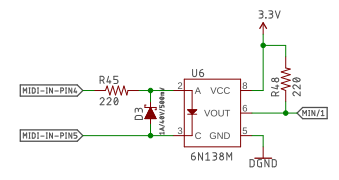


### ADC Input Filters

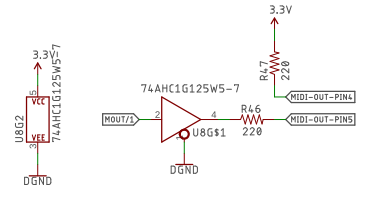
High Pass: 4.0Hz (33K/1.0uF)  
Low Pass: 40.3KHz (33K/100pF)  
Slew Rate: 1V/uS (1,000,000V/sec)  
Max Freq (at 3.3V power):  
slew rate (V/sec) = 2\*pi\*f\*v  
1,000,000 = 2\*(3.14)f(3.3V)  
f(max) = 48KHz



### MIDI IN

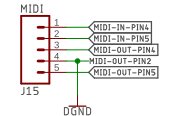


### MIDI OUT



### MIDI CONNECTOR

MIDI signals can be wired to standard 5-pin DIN connectors. Not all 5 pins are connected. Connect the pads below to the pins indicated.



MIDI inputs are not grounded. MIDI outputs are, with the shield of the cable tied to Pin 2 of the DIN.

DIN-5 connectors have an odd pin-ordering -- pin 2 is between 4 and 5, as reflected in the connector above.

Released under the Creative Commons Attribution Share-Alike 4.0 License  
<https://creativecommons.org/licenses/by-sa/4.0/>

TITLE: SparkFun\_Tsunami\_Qwicc

Design by: Jamie Robertson & Byron Jacquot

Revision by: Jamie Robertson, Pete Lewis

Date: 10/31/2022 11:39 AM

REV: V21

Sheet: 2/2