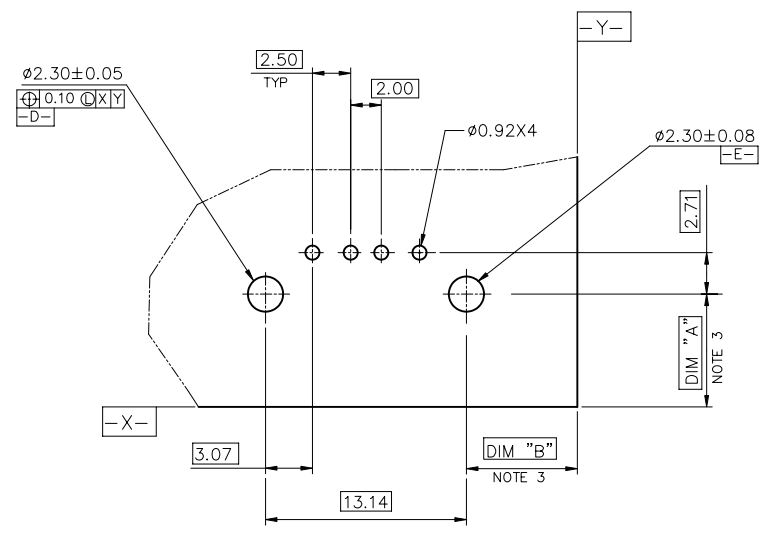
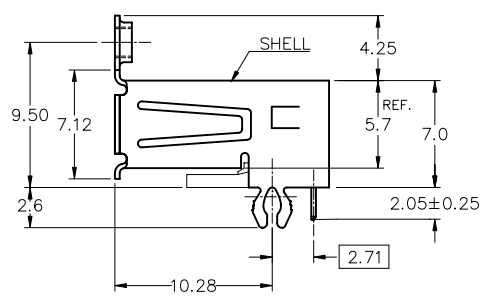
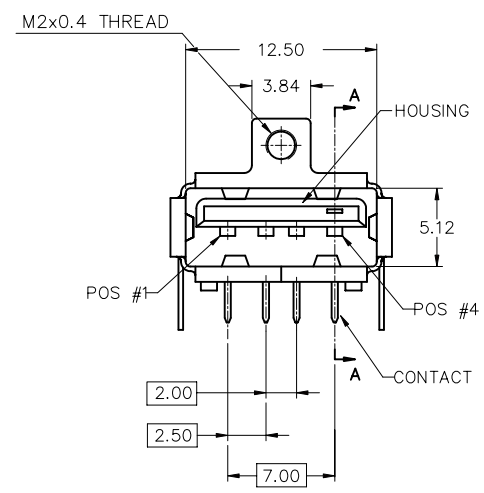
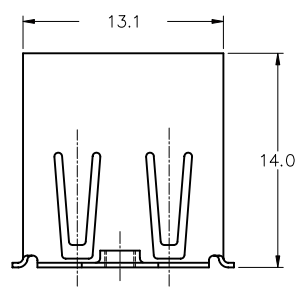


Tous droits strictement réservés. Reproduction ou communication a des tiers interdite sous quelque forme que ce soit sans autorisation écrite du propriétaire. Propriété de ©BERG ELECTRONICS. Droits de reproduction BERG ELECTRONICS INC.

All rights strictly reserved. Reproduction or issue to third parties in any form whatever is not permitted without written authority from the proprietor. Property of ©BERG ELECTRONICS Copyright BERG ELECTRONICS INC.

PRODUCT NO.
74056



P.C. BOARD LAYOUT

mat'l. code NOTE 1 & 2				tolerances unless otherwise specified			CUSTOMER COPY	 FCI <small>www.fciconnect.com</small>	
ltr	ecn no	dr	date	linear	.X ±.30				projection
A	T70434	P P	10/15/97		.XX ±.20		title UNIV. SERIAL BUS RECEPTACLE WITH TOP MOUNT		
B	T90121	P P	03/22/99	.XXX ±.10		product family USB			
C	T90244	P P	07/01/99	angles	0° ± 3°		size dwg no		
D	T00043	P P	02/16/00	dr	PETER	10/15/97		code -	
E	N04-0066	PH	10/13/04	engr	R Y LIU	10/15/97	sheet 1 of 2		
				chr	R Y LIU	10/15/97		scale 2:1	
				appd	J. TSAO	10/15/97	A4 74056		
sheet	revision	E	D						cage code
index	sheet	1	2						

1 | 2

3

4

PRODUCT NO.

74056

PRODUCT NUMBER CODE

74056 - X X X X B LF

BASE PRODUCT NUMBER

HOUSING COLOR OPTIONS

0 - WHITE
 1 - BLACK
 3 - BLACK + NICKEL PLATING ONLY
 5 - BLACK HSG PA46

SENSOR CONTACT OPTION

0 - WITHOUT SENSOR CONTACT

SHELL OPTIONS

1 - WITHOUT BACK SHIELD
 2 - WITH BACK SHIELD

TERMINAL PLATING OPTION

0 - 50u" Ni UNDERPLATE
 30u" GXT CONTACT AREA
 100u" TIN/LEAD TAIL AREA WHEN WITHOUT "LF" MARK
 100u" MATTE TIN TAIL AREA WHEN WITH "LF" MARK

PACKAGING OPTION

B - TUBES

LEAD FREE MARK

PLEASE SEE TERMINAL PLATING OPTION
 PLEASE USE 74056-50X0BLF AS 74056-10X0BLF

SECTION A-A

NOTES:

- MATERIAL:
 CONTACTS: PHOSPHOR BRONZE
 SHIELD: PHOSPHOR BRONZE
 HOUSING: UL 94V-0 THERMOPLASTIC, COLOR: WHITE
- PLATING: CONTACTS: GOLD FLASH OVER
 PALLADIUM NICKEL (0.76um MINIMUM) IN CONTACT AREA;
 2.54 um TIN-LEAD OR TIN MINIMUM IN SOLDER TAIL AREA.
 1.27 um MINIMUM NICKEL UNDERPLATE OVER ALL SURFACES.
 SHIELD: 2.54 um MINIMUM TIN/LEAD OVER 1.27 um MINIMUM NICKEL UNDERPLATE
- DATUMS & BASIC DIMENSIONS TO BE DETERMINED BY CUSTOMER.
- RECOMMENDED BOARD THICKNESS IS 0.8~1.2 mm.
- MAXIMUM PANEL THICKNESS TO BE 2.67 mm IF MOUNTED BEHIND PANEL.
- If lead free p/n, a lead free label will appear at packing
- If lead free p/n, the housing will withstand exposure to 260° peak temperature for 40 seconds in a convection, infra-red or vapor phase reflow oven
- If lead free p/n, the product meets the requirements of the European Union Directive of Restrictions for Hazardous Substances (Directive 2002/95/EC) and can be processed in the process conditions for which the product is developed. FCI, its subsidiaries and affiliates ("FCI") provides the above data and information in good faith based upon current knowledge and experience, but makes no warranty that such data or information is free from error, is complete or is sufficient for user's intended purpose EVEN IF MADE KNOWN TO FCI. FCI specifically disclaims any warranty, express or implied, and assumes no liability with respect to the effectiveness or safety of the products listed above. Each user must make its own determination as to the suitability of FCI's products and materials for its own particular purposes, and must assure that its products fabricated from FCI's products and materials are safe and lawful. It is the user's responsibility to assure proper use and disposal of FCI's products and materials, the safety and health of user's employees and customers, and user's compliance with applicable laws and regulations

mat'l. code		NOTE 1 & 2		tolerances unless otherwise specified		CUSTOMER COPY		FCI Electronics www.fciconnect.com		
ltr	ecn no	dr	date	linear	.X ±.30		projection	title UNIV. SERIAL BUS RECEPTACLE WITH TOP MOUNT		
E			.XX ±.20							
			.XXX ±.10							
				angles	0° ± 3'		mm	product family USB		
			dr	PETER	10/15/97	size		code -		
			enrg	R Y LIU	10/15/97	dwg no		sheet 2 of		
			chr	R Y LIU	10/15/97	A4		74056		
			appd	J. TSAO	10/15/97	scale 2:1				
sheet	revision									
index	sheet									

PDM: Rev:E

STATUS: Released Date: Jul 28, 2010

form no. 7530-001-103

1 | 2

4

Tous droits strictement reserves. Reproduction ou communication a des tiers interdite sous quelque forme que ce soit sans autorisation ecrite du proprietaire. Propriete de ©BERG ELECTRONICS. Droits de reproduction BERG ELECTRONICS INC.

All rights strictly reserved. Reproduction or issue to third parties in any form whatever is not permitted without written authority from the proprietor. Property of ©BERG ELECTRONICS Copyright BERG ELECTRONICS INC.