

L131 SERIES

- HIGH BRIGHTNESS LEDs
- T-1 3/4(5MM) SIZE • DIFFUSED LENS
- 2 VOLT LEDs AT 20mA

Overview

The L131 Series LEDs are for high brightness LED applications. Units are round shaped, T-1 3/4(5mm) and operate on DC voltage.

Other LEDs are available including: ultra bright, circuit board indicators and LED indicator lights. Custom lead forming and cutting services are available.

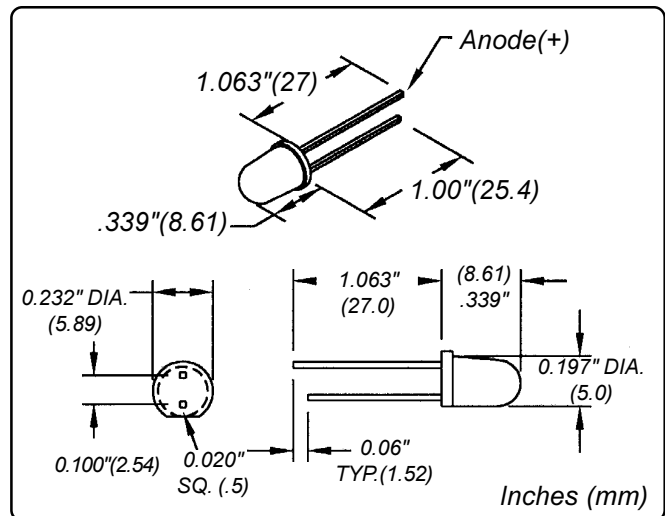
Accessory items: Mounting lenses: L810 and L811. Mounting clip: L820B mounts the LED to circuit board applications. Product specifications on pg. C-14.

Operating & Storage Temperature

Temp. Range: -40°C to +85°C.

Lead Solder Temperature

Soldering temp. 260°C max. Solder time for 3 seconds for distance from solder case to joint > 2mm or 5 seconds with distance from solder case to joint > 4mm.



Part Number	Color	Lens Type	Typical Intensity mcd	Test Current mA	Forward Voltage Typical	Forward Voltage Max	Reverse Voltage Max	Typical Wavelength nm	Viewing Angle
L131DR	Red	Diffused	100	20	2	2.5	5V	660	60°
L131DG	Green	Diffused	100	20	2.2	2.5	5V	565	60°
L131DY	Yellow	Diffused	100	20	2.1	2.5	5V	590	60°

Can't find it here? We have many more standard and custom solutions.

The items in this catalog are only a small representative sample of the complete LC&D-Leecraft product line. We manufacture many additional products which are not shown in this catalog due to space constraints.

Custom products can also be designed uniquely for you by our Technical Support Professionals. Starting from your ideas and specifications, we work with your personnel to develop timely and cost effective solutions for your miniature lighting needs.

LC&D Technical Support Services are provided without charge, and may include designs, prototypes and pre-production samples.

For further information phone Customer Service at 954-425-0123 or complete the "Fast FAX Technical Support Inquiry" form located in the Appendix, page A-1.